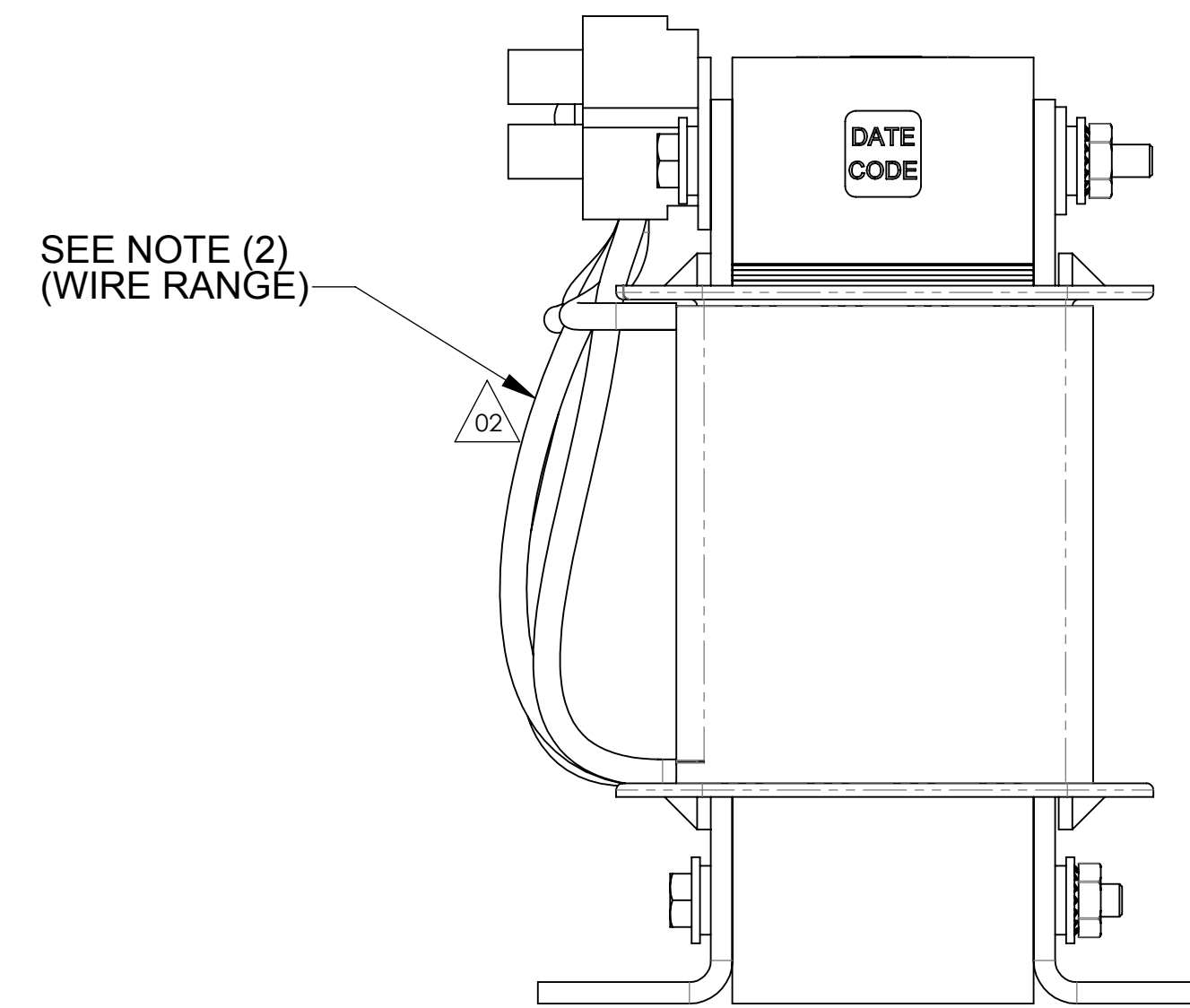
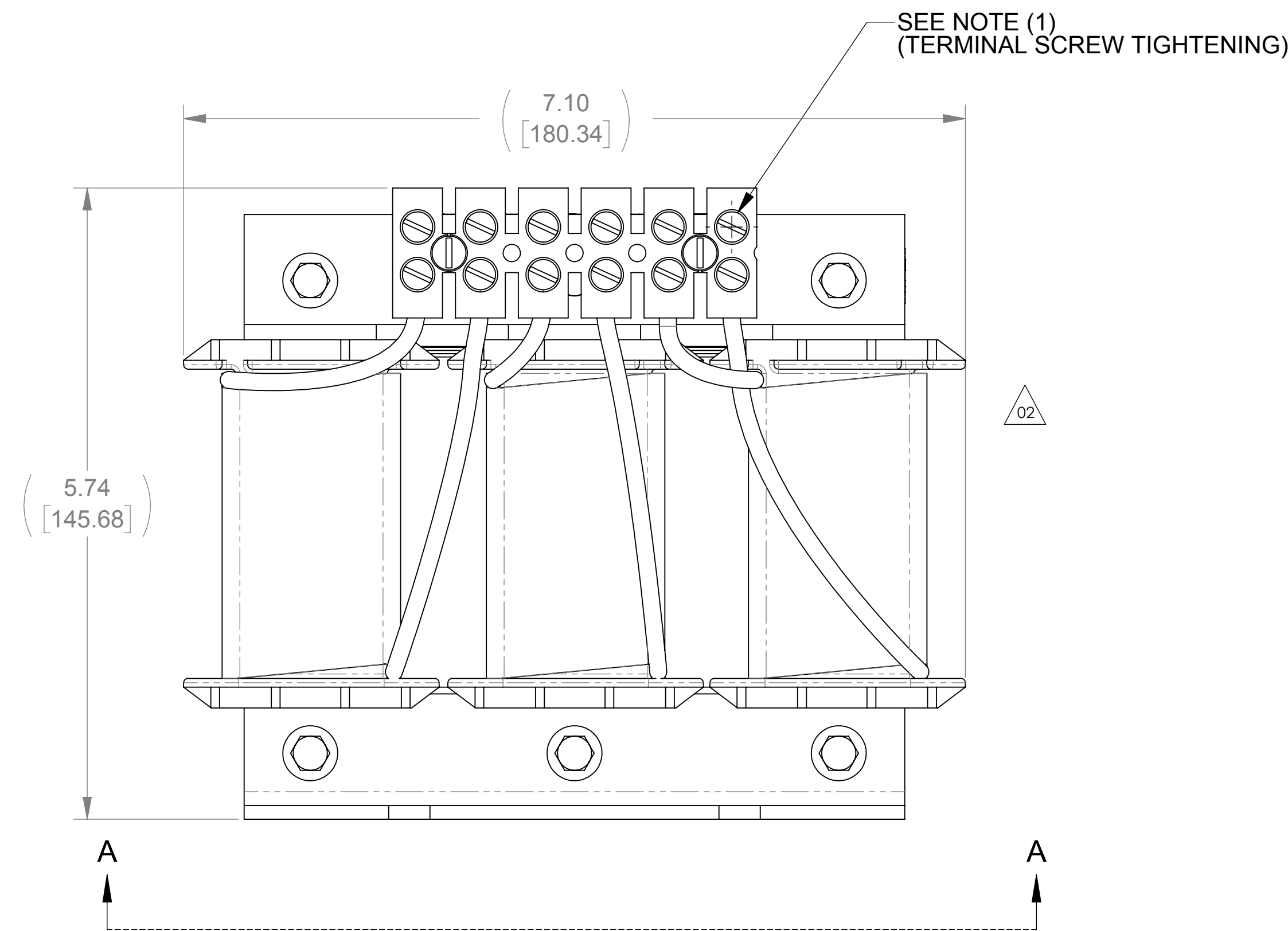
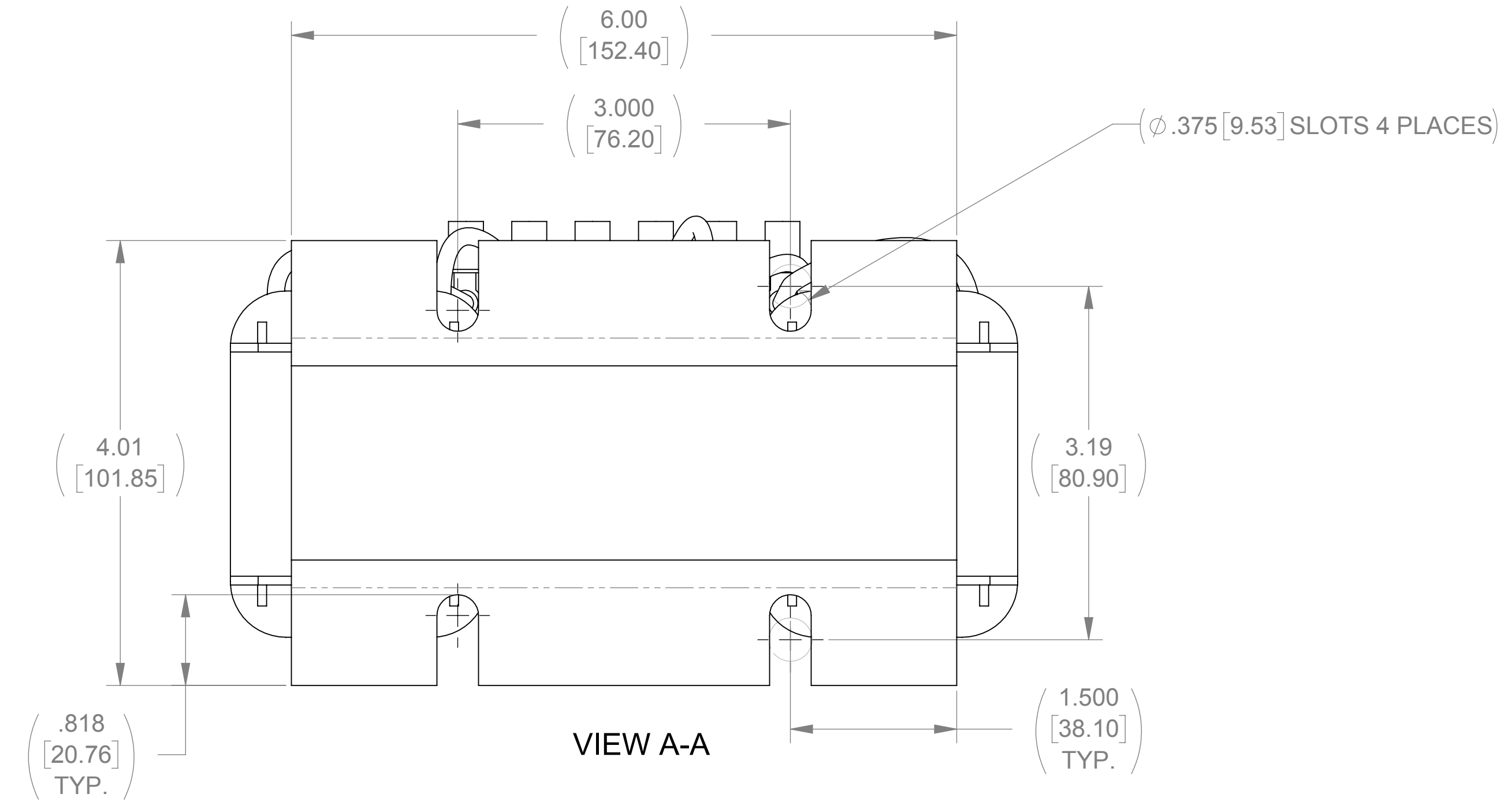
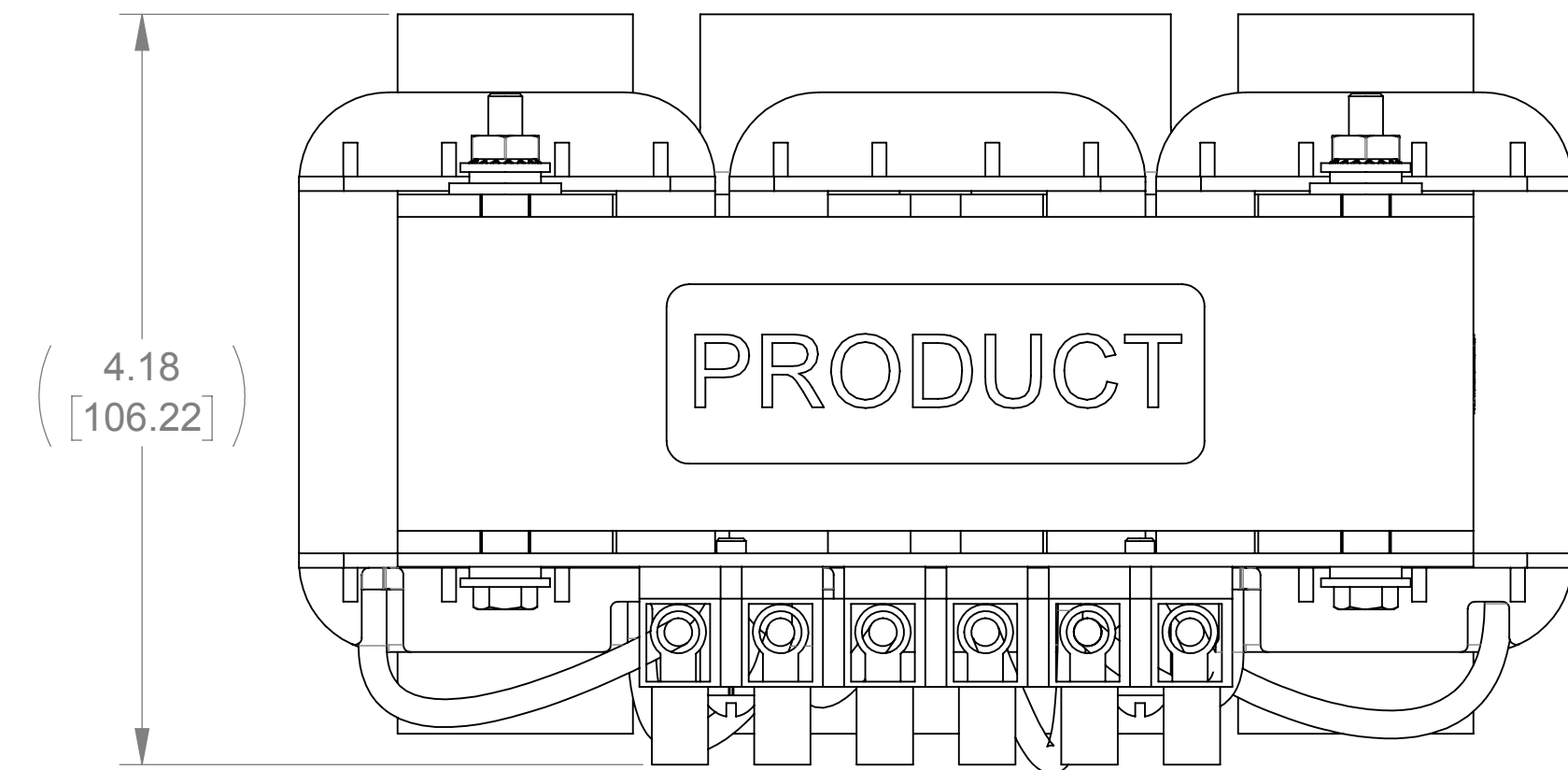


WEIGHT (LBS)	INDUCTANCE	LOSS (WATTS)
17	0.55mH	100

ECO No	DESCRIPTION	REV BY	DATE
M11939	COIL CHANGED/UPDATED	WF	08/07/19



**NOTES:**

1. TERMINAL SCREW TIGHTENING TORQUE: 16 in-lbs MAX
2. WIRE RANGE: 14 - 6 AWG

<p>THE COMPONENT, PART OR ASSEMBLY DESCRIBED IN THIS DOCUMENT MUST COMPLY WITH THE EU (EUROPEAN UNION) DIRECTIVE RoHS2</p> <p>CONTAINS &lt;0.1% OF ANY SVHC BY WEIGHT PER REACH REGULATION</p> <p>UNLESS OTHERWISE SPECIFIED DIMENSIONS ARE IN INCHES [MM] TOLERANCES ARE:</p> <p>ANGLES: <math>\pm 1^\circ</math></p> <p>1 PLACE .X: <math>\pm .1</math> [2.5]</p> <p>2 PLACE .XX: <math>\pm .03</math> [0.76]</p> <p>3 PLACE .XXX: <math>\pm .010</math> [0.254]</p>		<p><b>MATERIAL</b></p>	<p><b>CONFIDENTIAL AND PROPRIETARY INFORMATION</b></p> <p>THIS DOCUMENT CONTAINS CONFIDENTIAL AND PROPRIETARY INFORMATION OF MTE CORPORATION AND MAY NOT BE USED, COPIED OR DISCLOSED TO OTHERS EXCEPT WITH THE AUTHORIZED WRITTEN PERMISSION OF MTE CORPORATION</p>												
<p><b>MTE</b></p> <p>POWER QUALITY. SOLVED.</p> <p>N83 W13330 Leon Road Menomonee Falls, WI 53051 USA 800.455.4683 262.253.8200</p>		<table border="1"> <tr> <td>DRAWN</td> <td>DATE</td> </tr> <tr> <td>JP</td> <td>09/06/12</td> </tr> <tr> <td>CHECKED</td> <td>DATE</td> </tr> <tr> <td>WF</td> <td>08/07/19</td> </tr> <tr> <td>APPROVED</td> <td>DATE</td> </tr> <tr> <td>AK</td> <td>08/07/19</td> </tr> </table>	DRAWN	DATE	JP	09/06/12	CHECKED	DATE	WF	08/07/19	APPROVED	DATE	AK	08/07/19	<p><b>DESCRIPTION</b></p> <p>LINE REACTOR (46A , .55mH)</p>
DRAWN	DATE														
JP	09/06/12														
CHECKED	DATE														
WF	08/07/19														
APPROVED	DATE														
AK	08/07/19														
		<table border="1"> <tr> <td>SIZE</td> <td>DWG No.</td> <td>REV</td> </tr> <tr> <td>D</td> <td>CD RLW-004603</td> <td>02</td> </tr> </table>	SIZE	DWG No.	REV	D	CD RLW-004603	02							
SIZE	DWG No.	REV													
D	CD RLW-004603	02													
		<p>SCALE 4:4</p>	<p>SHEET 1 OF 1</p>												