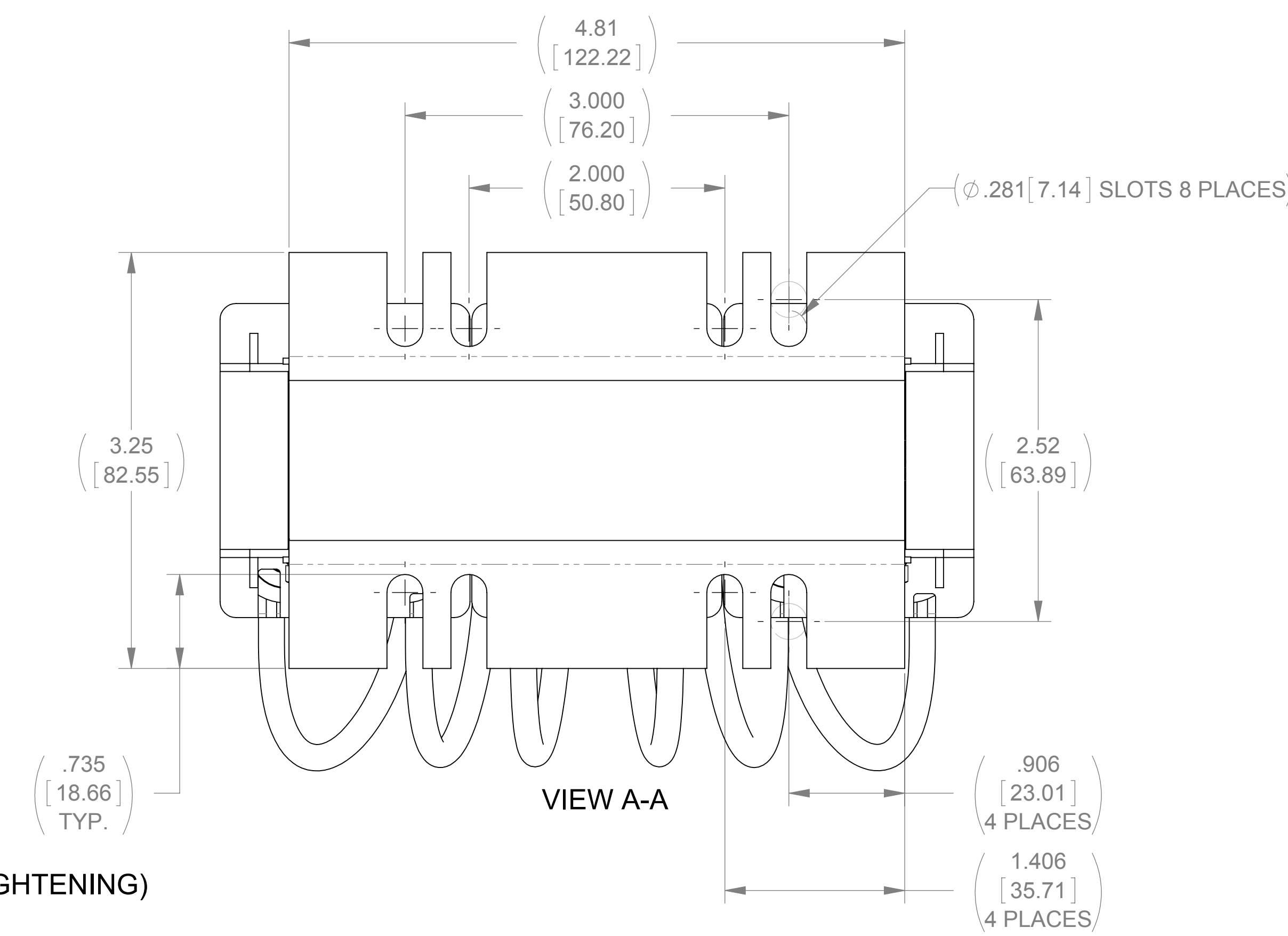
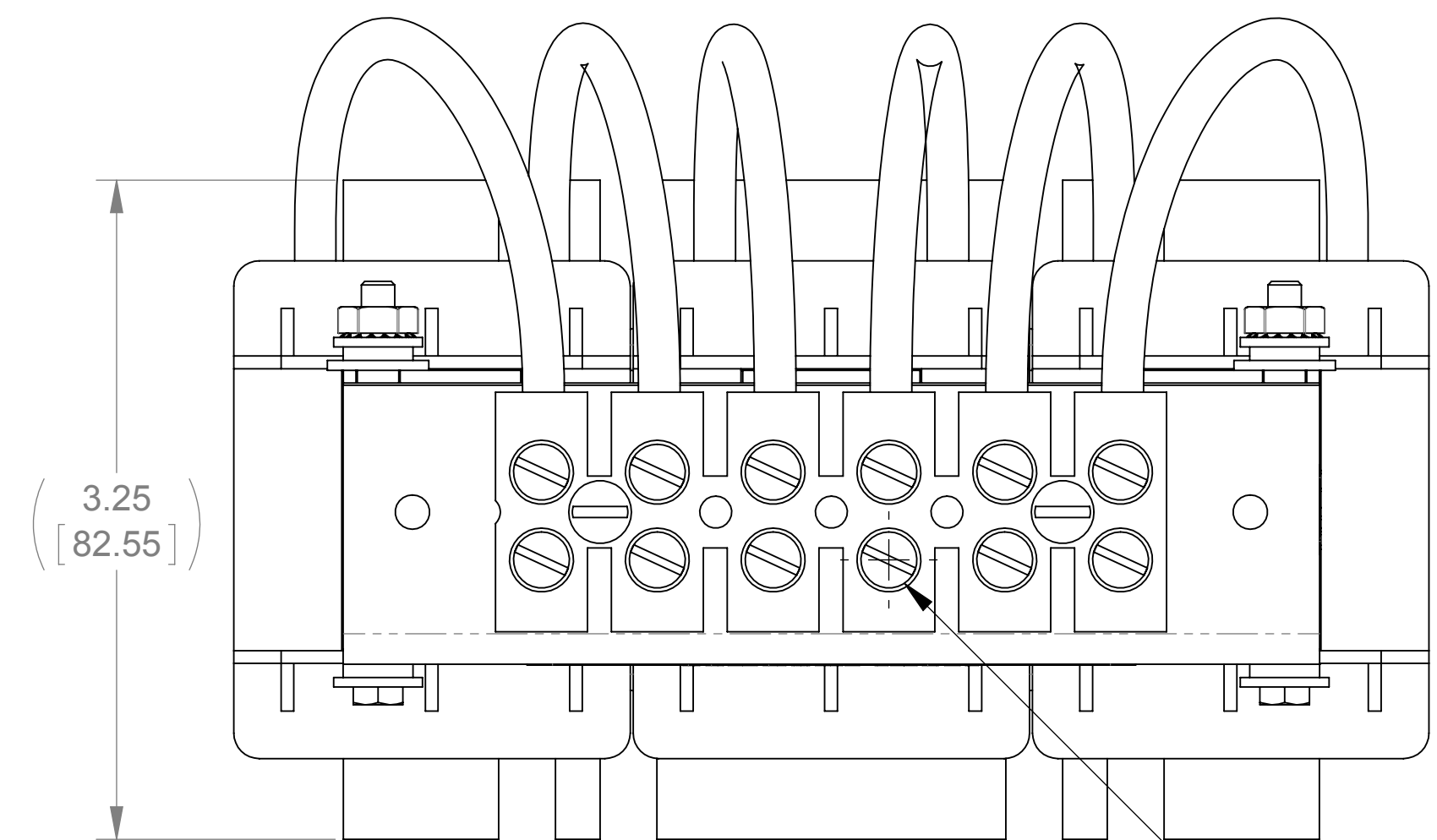
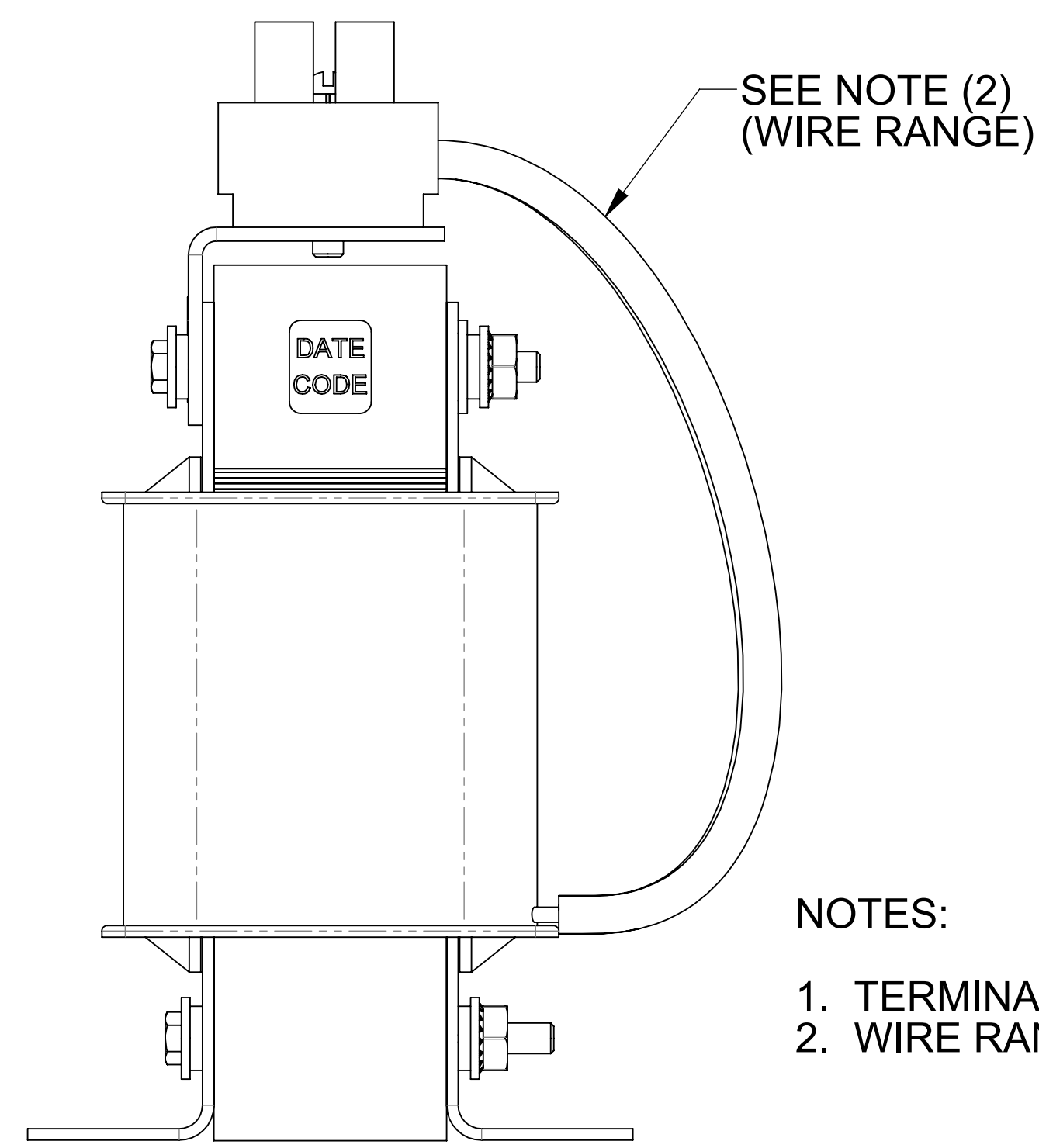
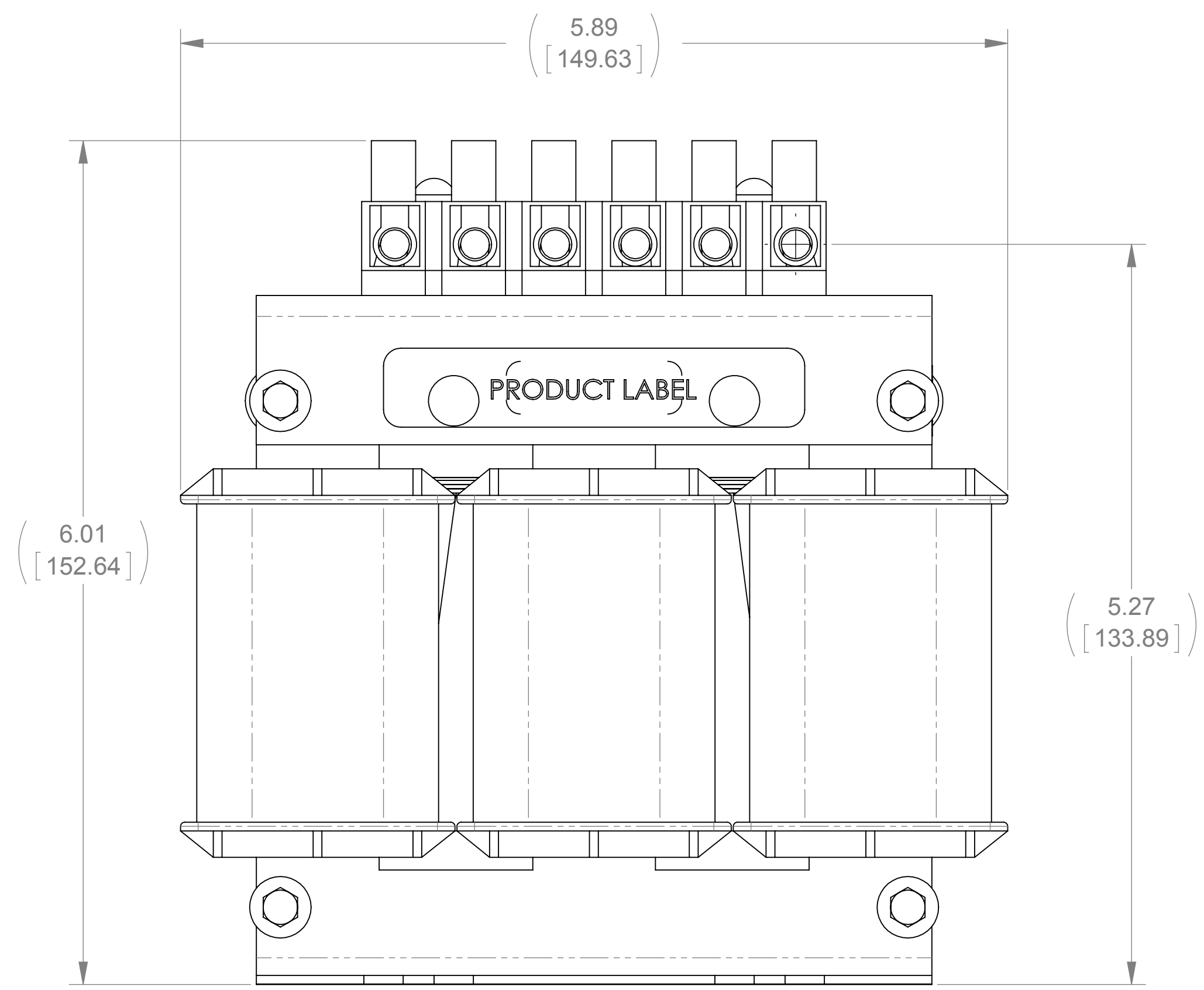


WEIGHT (LBS)	INDUCTANCE	LOSS (WATTS)
10	.82mH	66.8

ECO No	DESCRIPTION	REV BY	DATE
M8321	DIMENSION CHANGE	JP	12/17/12



SEE NOTE (1)  
(TERMINAL SCREW TIGHTENING)



NOTES:

1. TERMINAL SCREW TIGHTENING TORQUE: 16 in - lbs MAX
2. WIRE RANGE: 14 - 6 AWG

THE COMPONENT, PART OR ASSEMBLY DESCRIBED IN THIS DOCUMENT MUST COMPLY WITH THE EU (EUROPEAN UNION) DIRECTIVE RoHS CONTAINS <0.1% OF ANY SVHC BY WEIGHT PER REACH REGULATION		<b>MATERIAL</b>		<b>CONFIDENTIAL AND PROPRIETARY INFORMATION</b> THIS DOCUMENT CONTAINS CONFIDENTIAL AND PROPRIETARY INFORMATION OF MTE CORPORATION AND MAY NOT BE USED, COPIED OR DISCLOSED TO OTHERS EXCEPT WITH THE AUTHORIZED WRITTEN PERMISSION OF MTE CORPORATION	
UNLESS OTHERWISE SPECIFIED DIMENSIONS ARE IN INCHES [MM] TOLERANCES ARE: ANGLES: ± 1° 1 PLACE .X: ± .1 [2.5] 2 PLACE .XX: ± .03 [0.76] 3 PLACE .XXX: ± .010 [0.254]		 N83 W13330 Leon Road Menomonee Falls, WI 53051 USA 800.455.4683 262.253.8200		<b>DESCRIPTION</b> LINE REACTOR	
DRAWN JP CHECKED TM APPROVED TM	DATE 08/15/12 DATE 12/21/12 DATE 12/21/12	SIZE D SCALE 5:4	DWG No CD RLV-002803	REV 04	SHEET 1 OF 1