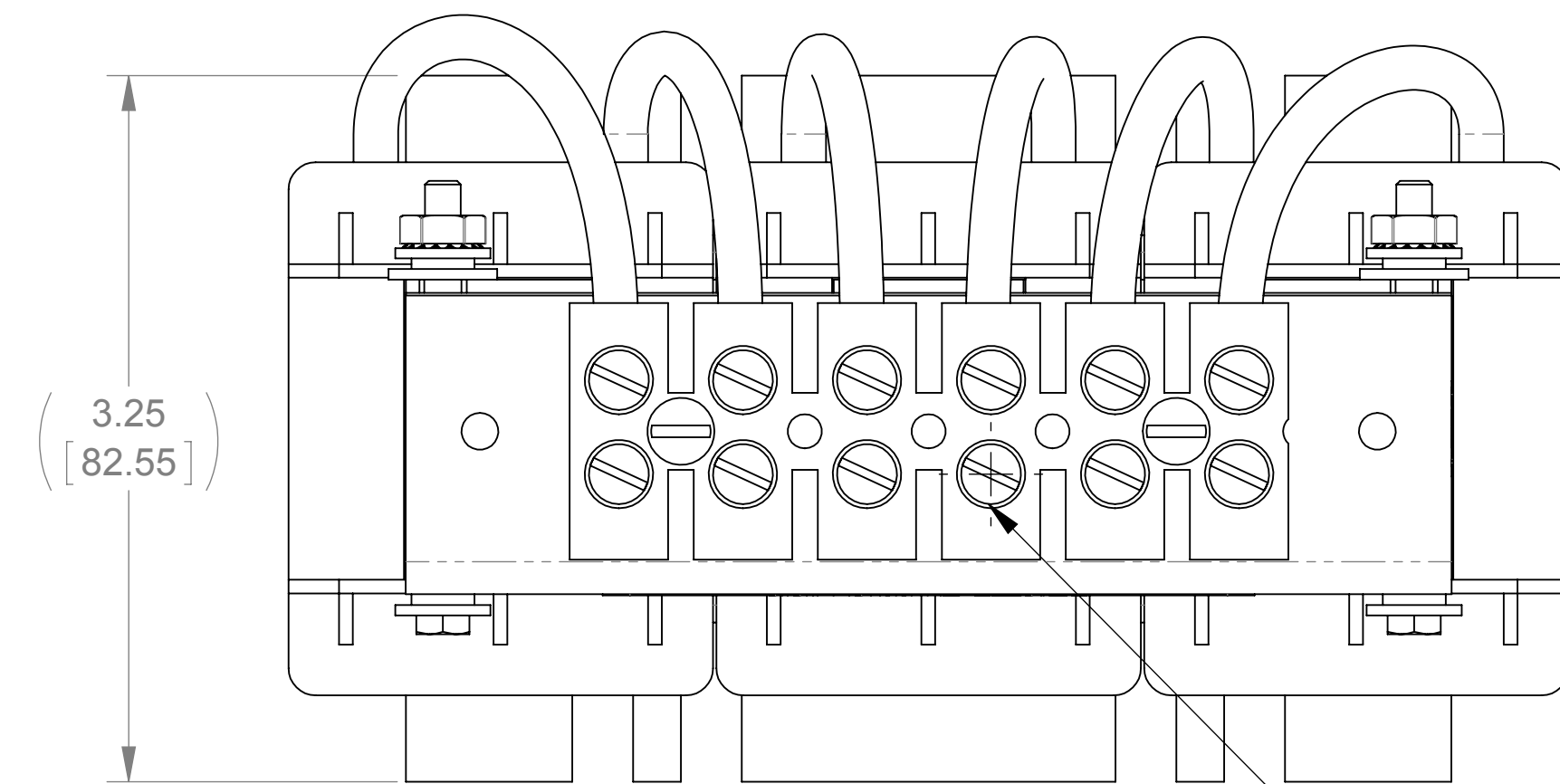
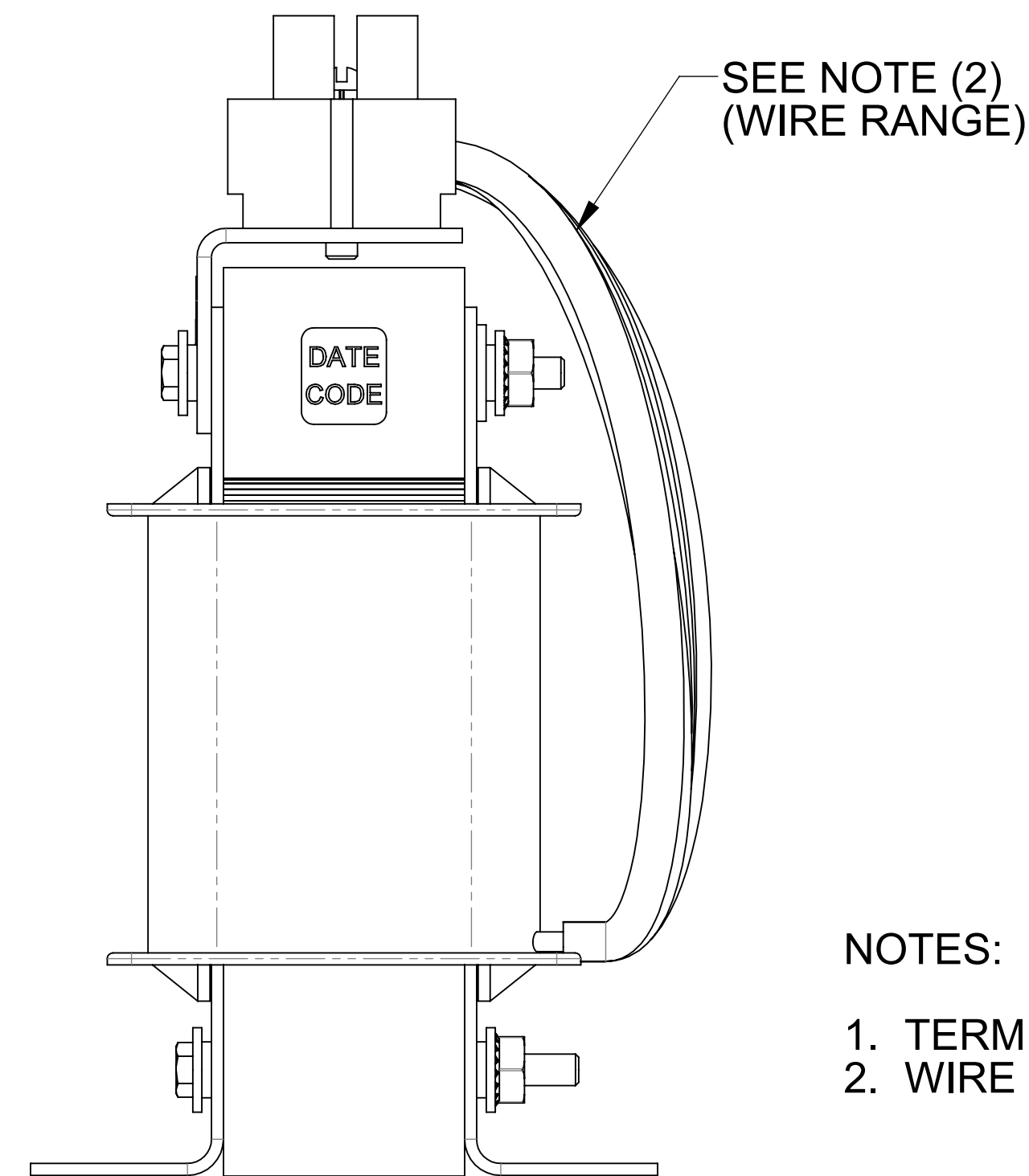
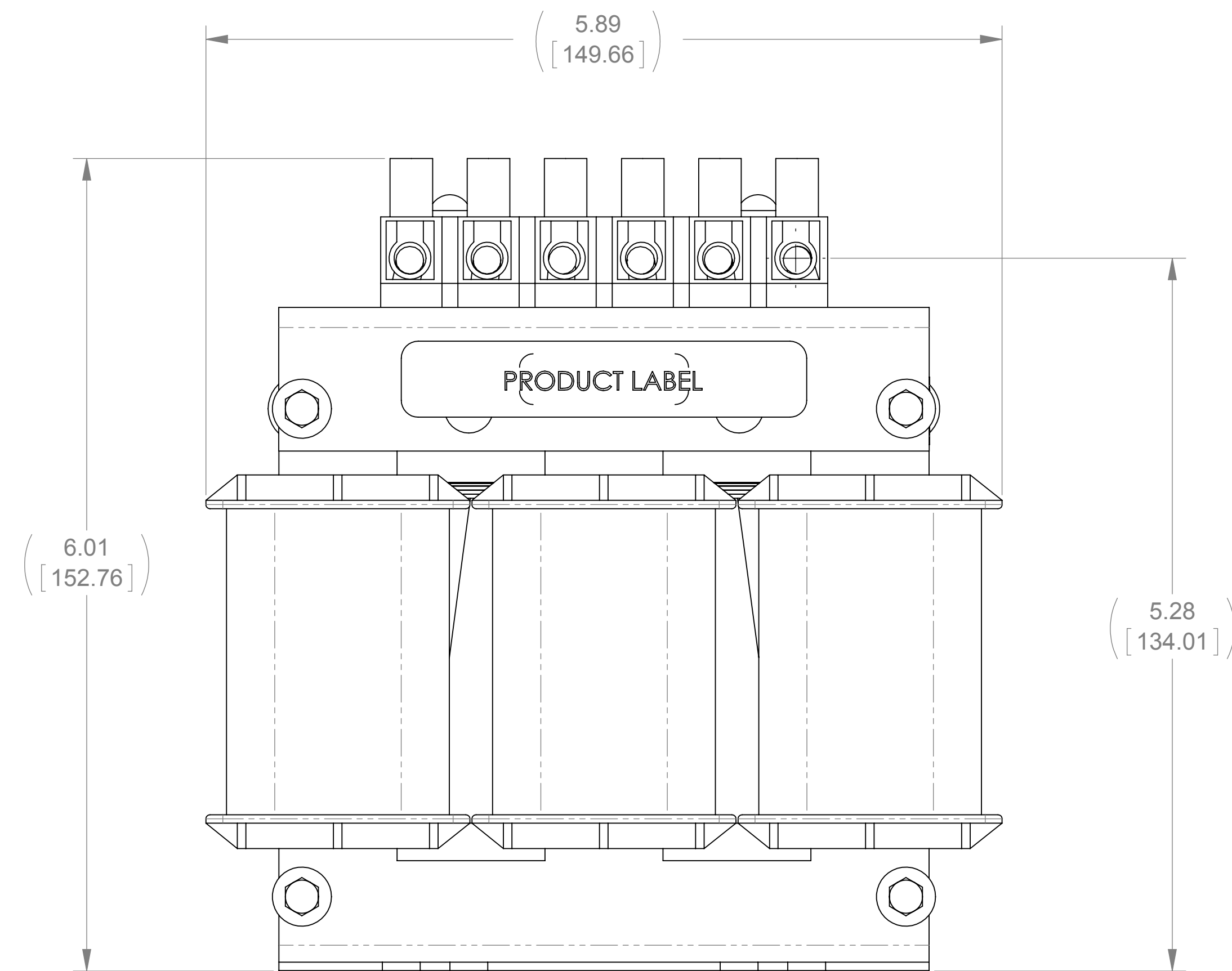
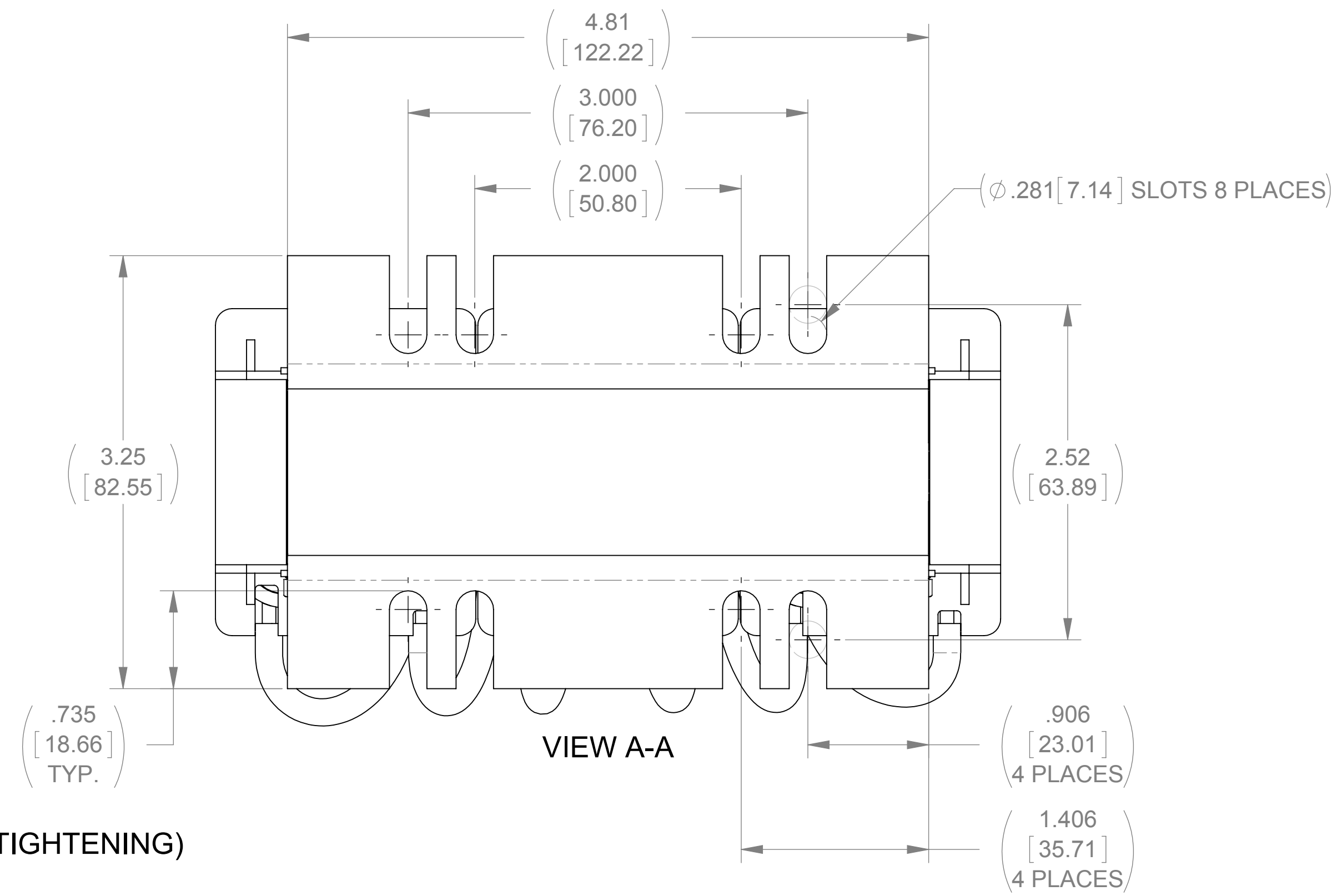


WEIGHT (LBS)	INDUCTANCE	LOSS (WATTS)
10	1.8mH	73.5

ECO No	DESCRIPTION	REV BY	DATE
MB321	DIMENSION CHANGE	JP	12/17/12




SEE NOTE (1)  
(TERMINAL SCREW TIGHTENING)



NOTES:

1. TERMINAL SCREW TIGHTENING TORQUE: 16 in-lbs MAX
2. WIRE RANGE: 14 - 6 AWG.

THE COMPONENT, PART OR ASSEMBLY DESCRIBED IN THIS DOCUMENT MUST COMPLY WITH THE EU (EUROPEAN UNION) DIRECTIVE RoHS CONTAINS <0.1% OF ANY SVHC BY WEIGHT PER REACH REGULATION		<b>MATERIAL</b>		<b>CONFIDENTIAL AND PROPRIETARY INFORMATION</b> THIS DOCUMENT CONTAINS CONFIDENTIAL AND PROPRIETARY INFORMATION OF MTE CORPORATION AND MAY NOT BE USED, COPIED OR DISCLOSED TO OTHERS EXCEPT WITH THE AUTHORIZED WRITTEN PERMISSION OF MTE CORPORATION	
UNLESS OTHERWISE SPECIFIED DIMENSIONS ARE IN INCHES [MM] TOLERANCES ARE: ANGLES: ± 1° 1 PLACE .X: ± .1 [2.5] 2 PLACE .XX: ± .03 [0.76] 3 PLACE .XXX: ± .010 [0.254]		 AN BL POWER ELECTRONICS COMPANY N83 W13330 Leon Road Menomonee Falls, WI 53051 USA 800.455.4683 262.253.8200		<b>DESCRIPTION</b> LINE REACTOR	
DRAWN JP	DATE 08/14/12	CHECKED TM	DATE 12/21/12	SIZE D	DWG No. CD RLW-002105
APPROVED TM	DATE 12/21/12	SCALE 5:4	REV 04	SHEET 1 OF 1	