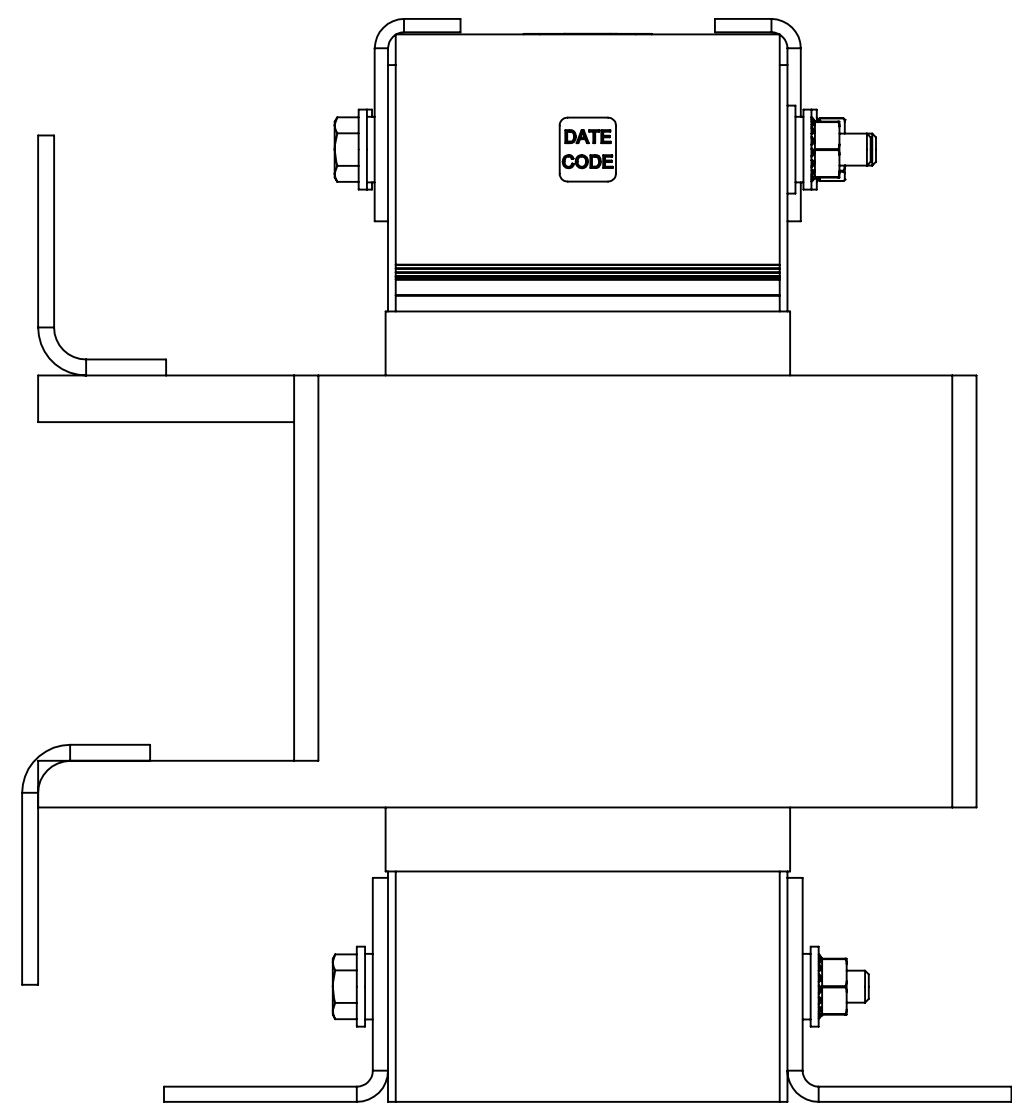
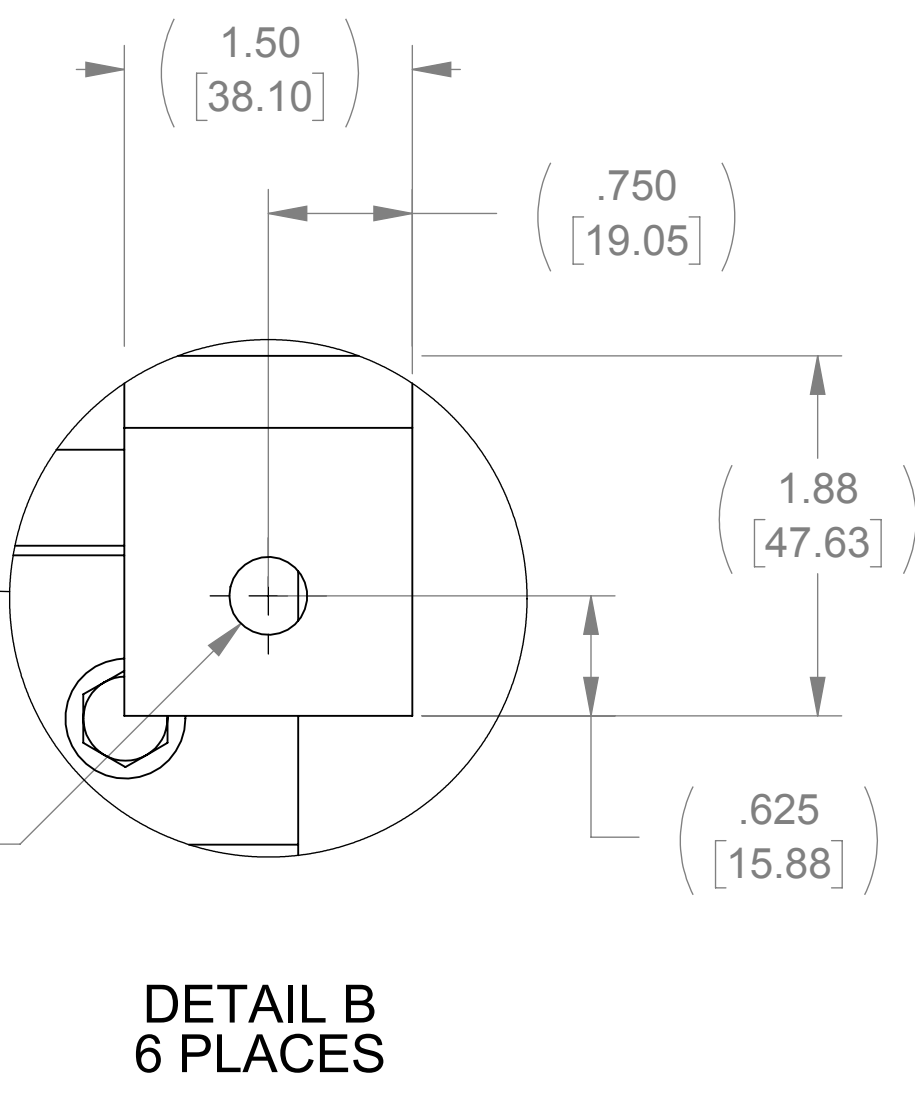
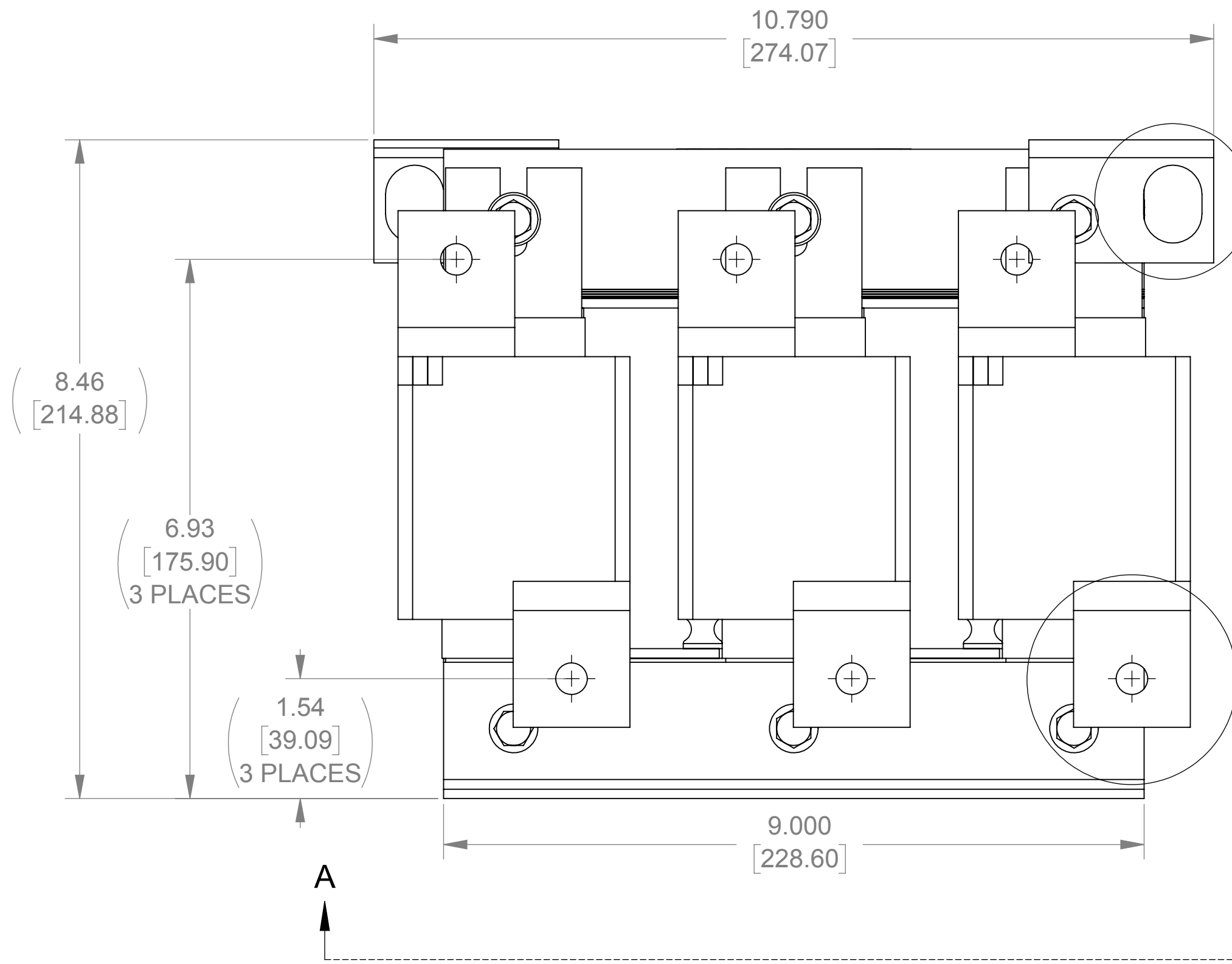
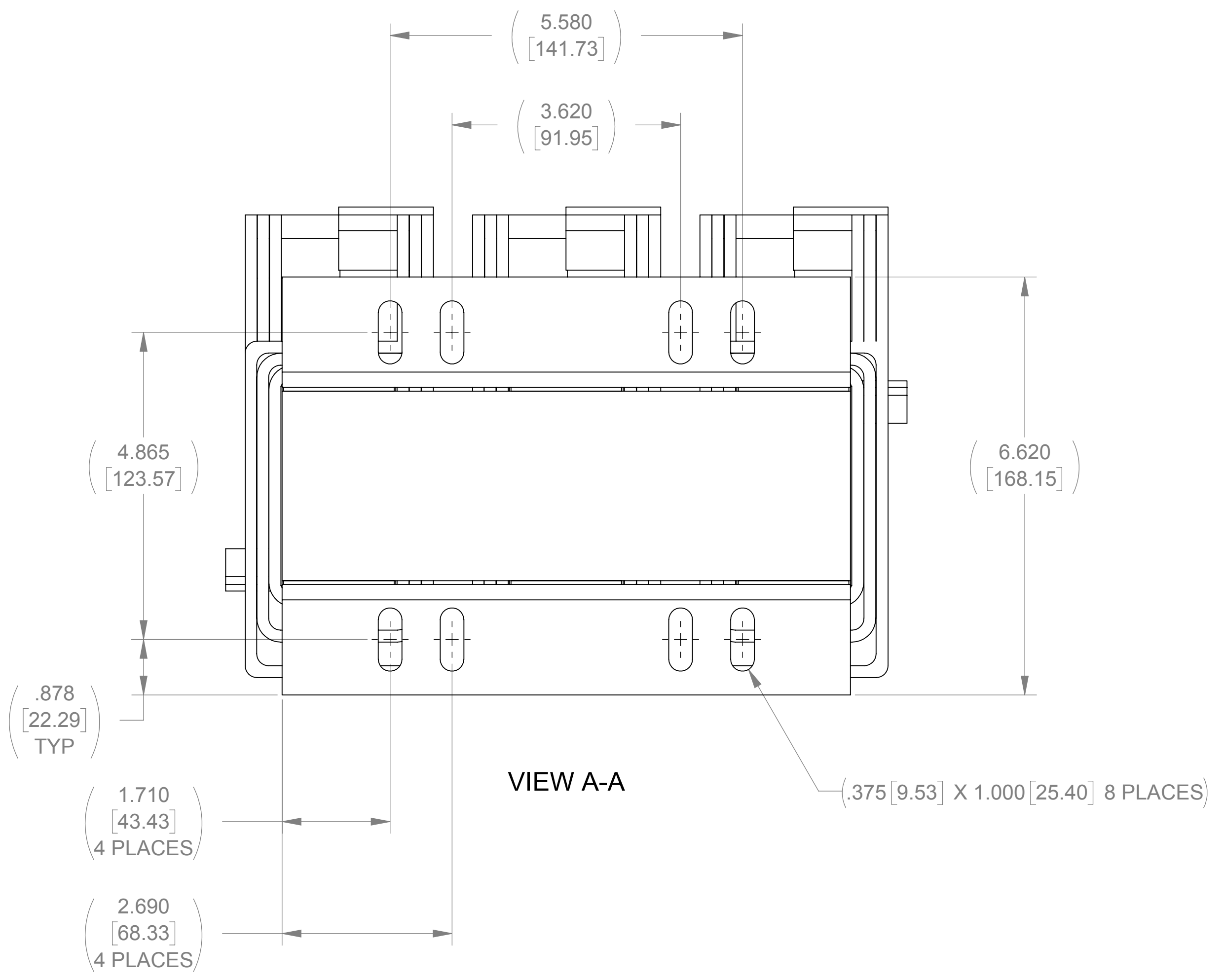
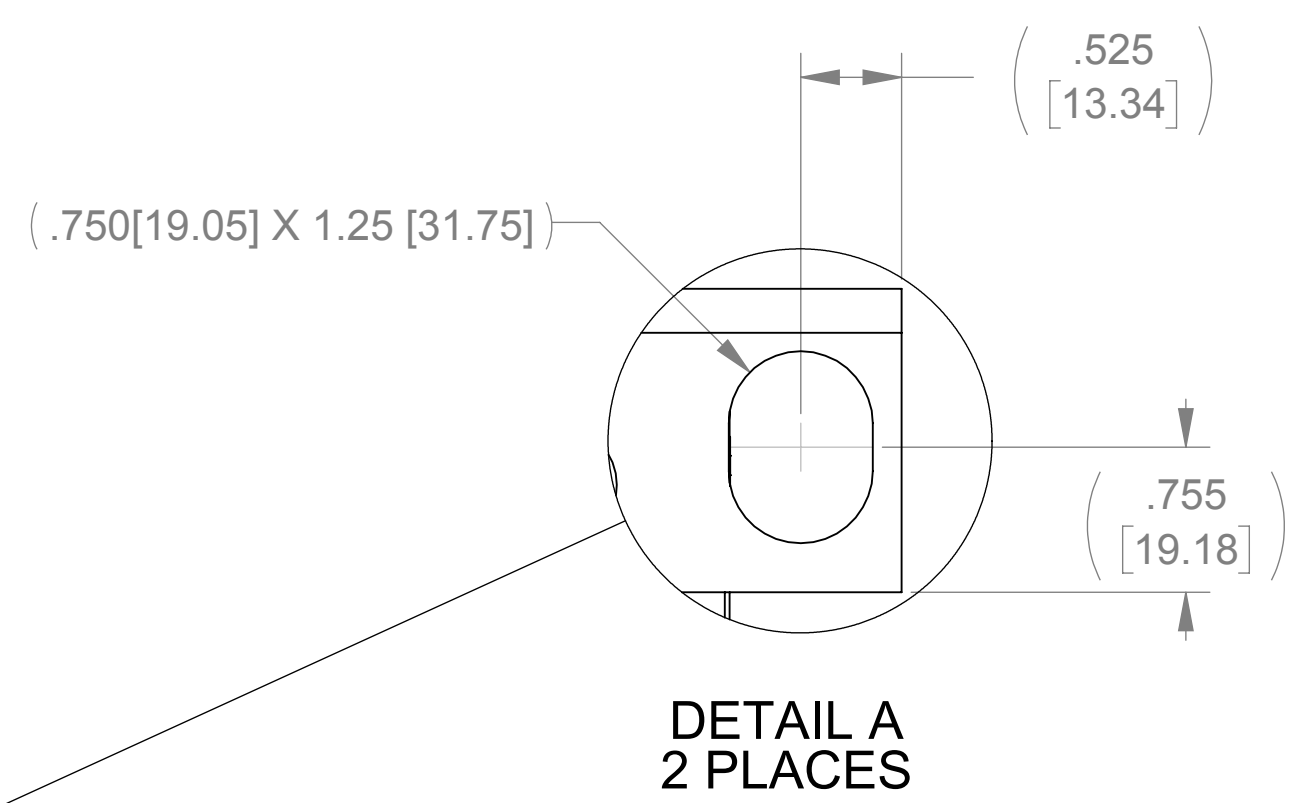
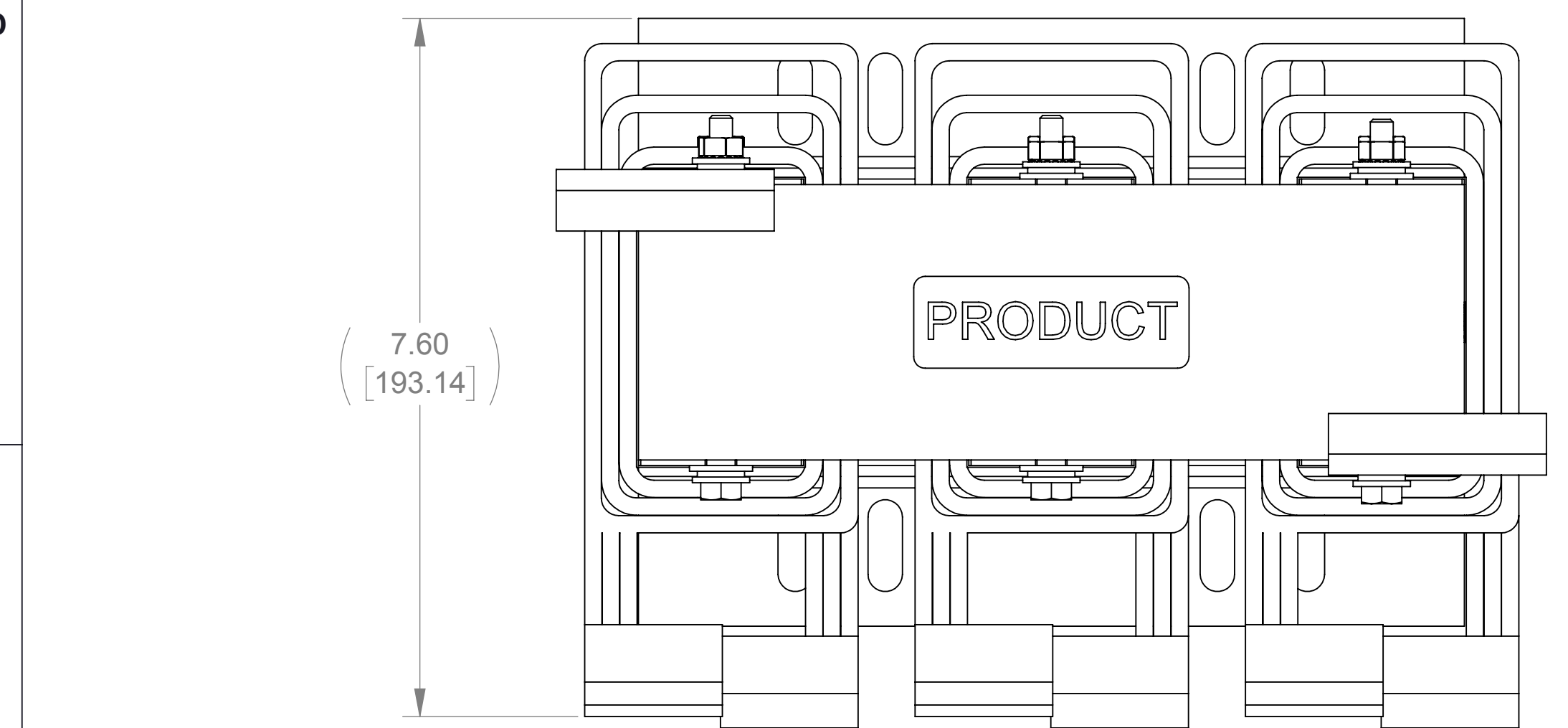


WEIGHT (LBS)	INDUCTANCE	LOSS (WATTS)
80	0.09 mH	231

ECO No	DESCRIPTION	REV BY	DATE
M11189	RESEQUENCE BOM TO MATCH AVANTIE	BD	03/08/19



THE COMPONENT, PART OR ASSEMBLY DESCRIBED IN THIS DOCUMENT MUST COMPLY WITH THE EU (EUROPEAN UNION) DIRECTIVE RoHS2 CONTAINS <0.1% OF ANY SVHC BY WEIGHT PER REACH REGULATION		MATERIAL		CONFIDENTIAL AND PROPRIETARY INFORMATION THIS DOCUMENT CONTAINS CONFIDENTIAL AND PROPRIETARY INFORMATION OF MTE CORPORATION AND MAY NOT BE USED, COPIED OR DISCLOSED TO OTHERS EXCEPT WITH THE AUTHORIZED WRITTEN PERMISSION OF MTE CORPORATION	
UNLESS OTHERWISE SPECIFIED DIMENSIONS ARE IN INCHES [MM] TOLERANCES ARE: ANGLES: ± 1° 1 PLACE .X: ± .1 [2.5] 2 PLACE .XX: ± .03 [0.76] 3 PLACE .XXX: ± .010 [0.254]		 N83 W13330 Leon Road Menomonee Falls, WI 53051 USA 800.455.4683 262.253.8200		DESCRIPTION LINE/LOAD REACTOR	
DRAWN AGK	DATE 11/1/05	CHECKED BD	DATE 03/08/19	SIZE D	DWG No. CD RL-25002B14
APPROVED AK	DATE 03/11/19	SCALE 1:2	REV 07	SHEET 1 OF 1	