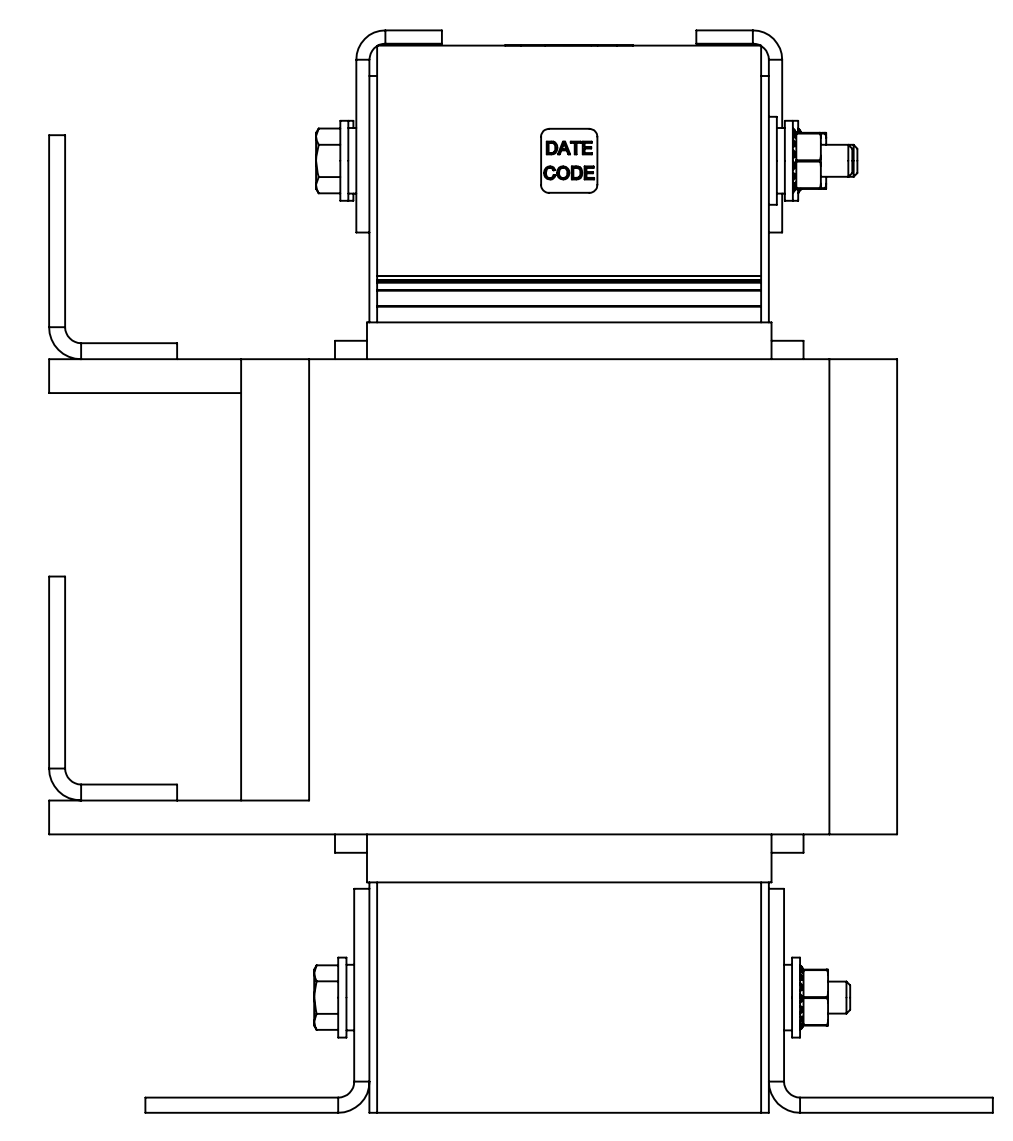
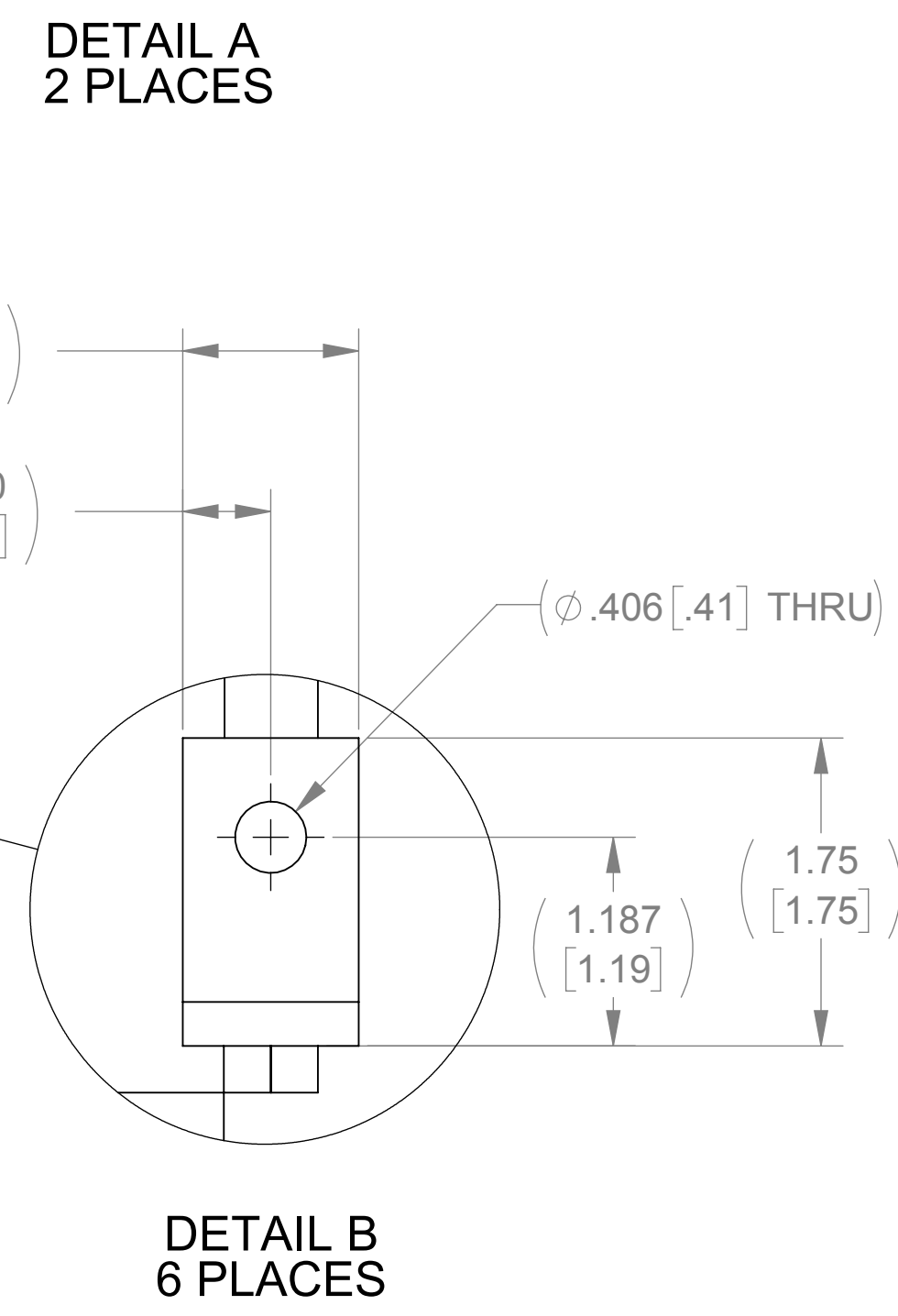
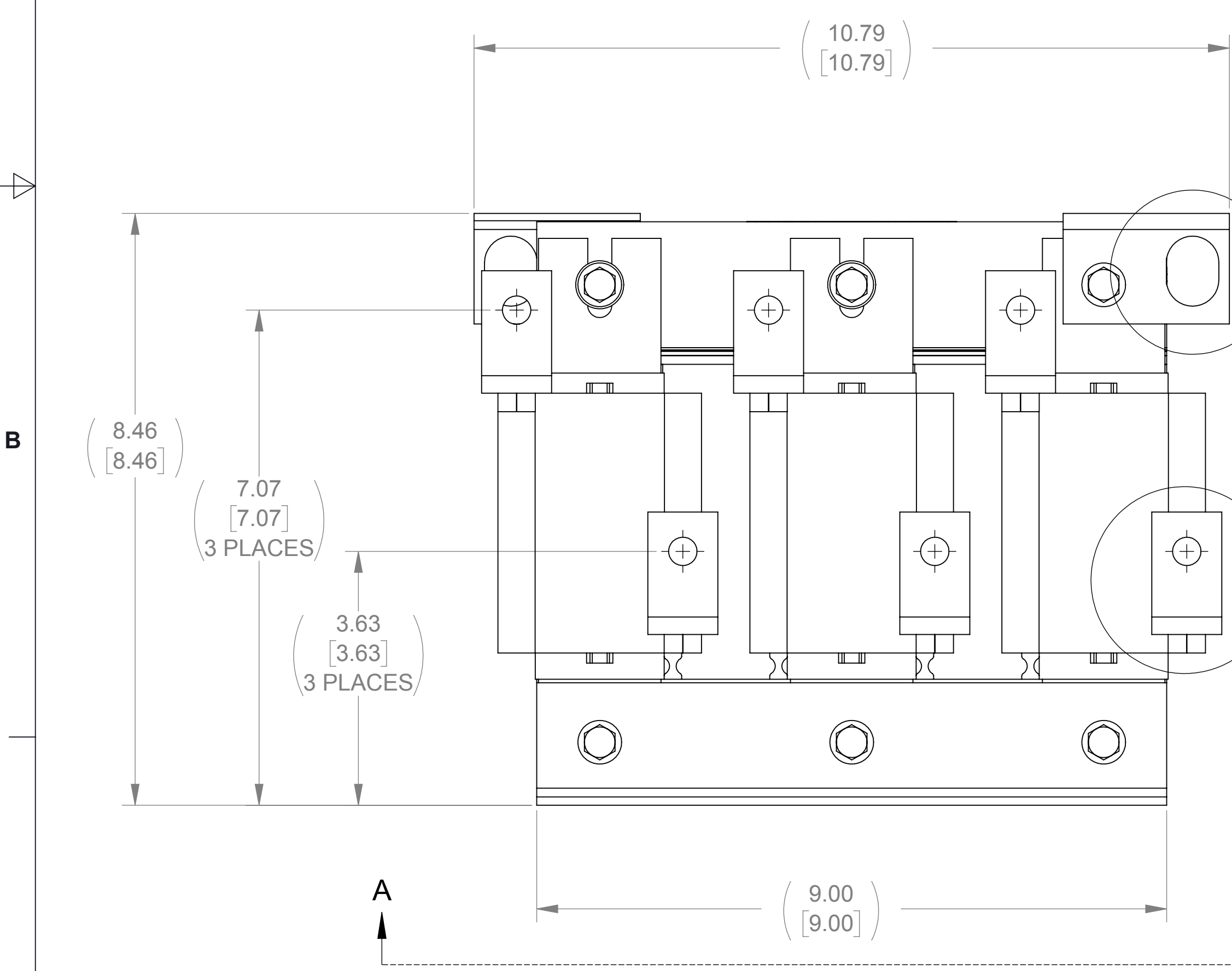
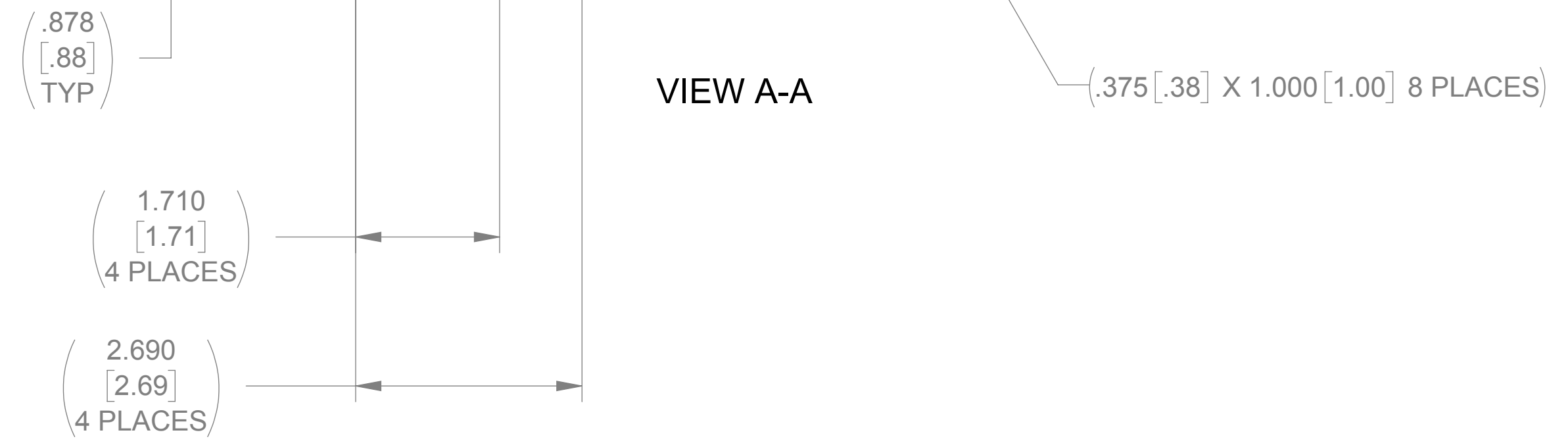
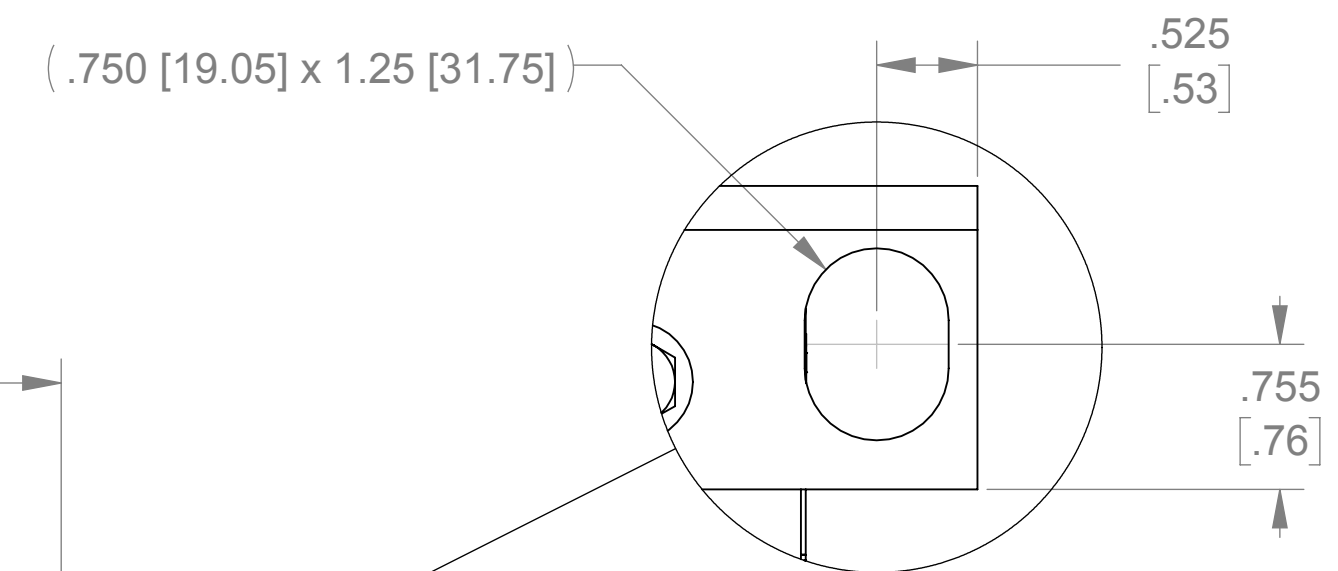
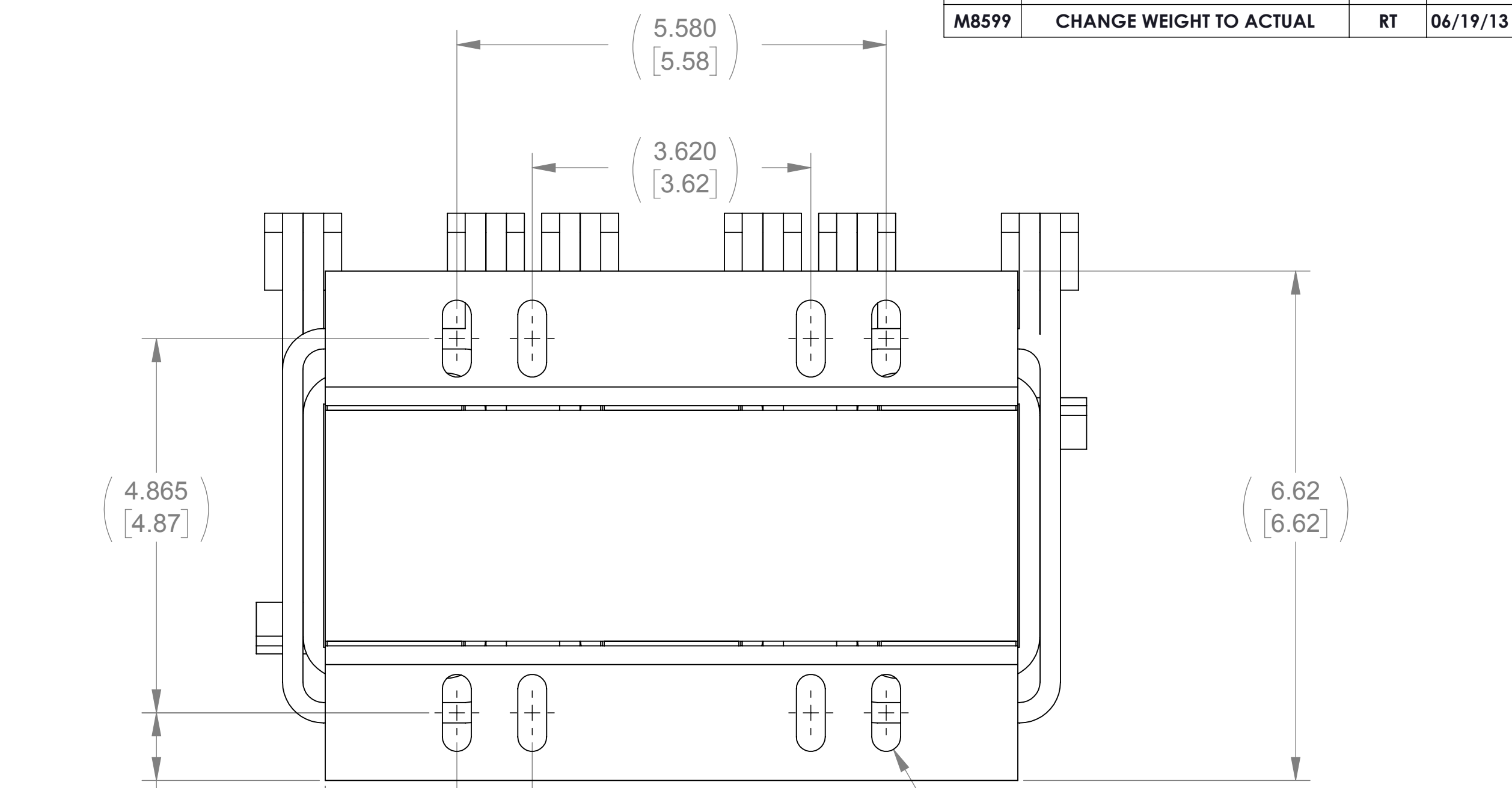
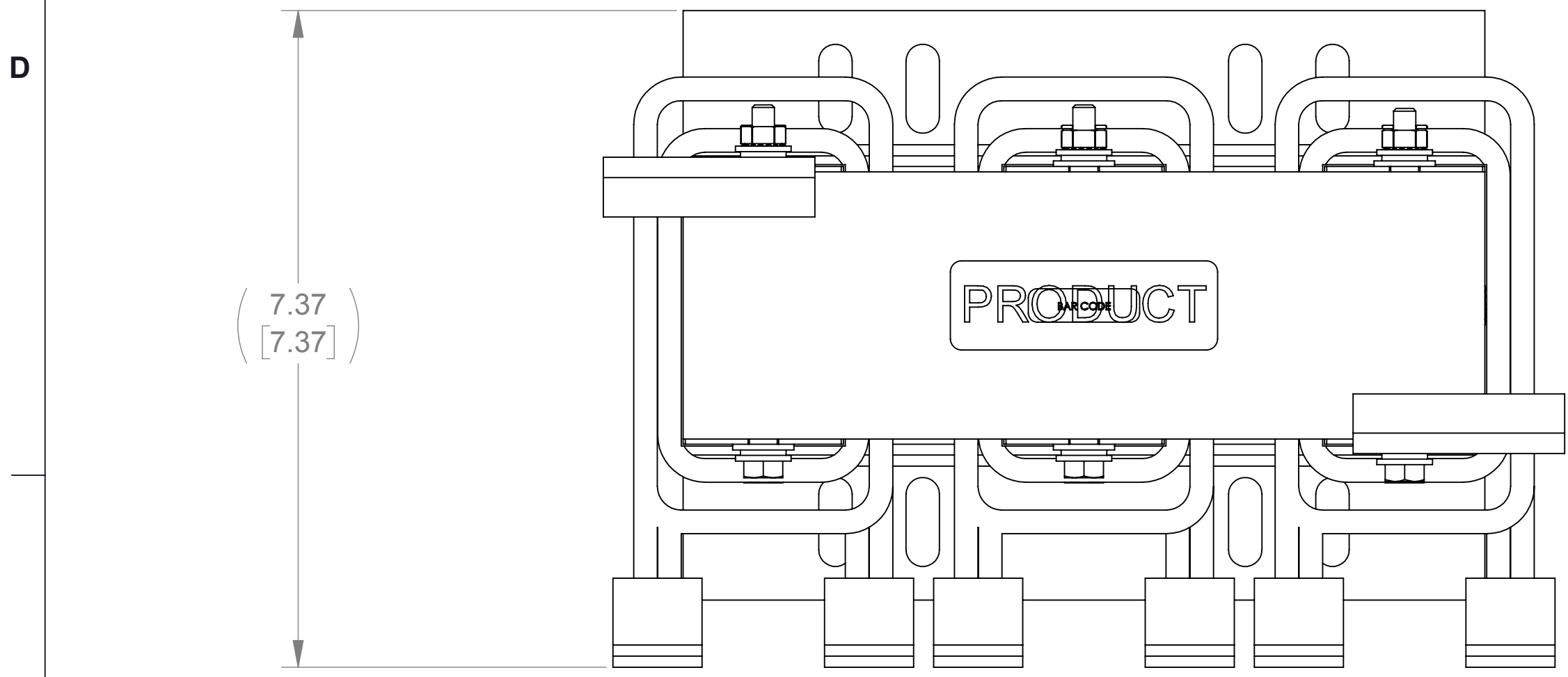


WEIGHT (LBS)	INDUCTANCE	LOSS (WATTS)
74	0.230 mH	138

ECO No	DESCRIPTION	REV BY	DATE
M8599	CHANGE WEIGHT TO ACTUAL	RT	06/19/13



<p>THE COMPONENT, PART OR ASSEMBLY DESCRIBED IN THIS DOCUMENT MUST COMPLY WITH THE EU (EUROPEAN UNION) DIRECTIVE RoHS</p> <p>CONTAINS <math>< .01\%</math> OF ANY SVHC BY WEIGHT PER REACH REGULATION</p> <p>UNLESS OTHERWISE SPECIFIED DIMENSIONS ARE IN INCHES [MM] TOLERANCES ARE:</p> <p>ANGLES: $\pm 1^\circ$</p> <p>1 PLACE .X: $\pm .1 [2.5]$</p> <p>2 PLACE .XX: $\pm .03 [0.76]$</p> <p>3 PLACE .XXX: $\pm .010 [0.254]$</p>		<p>MATERIAL</p> <p>DRAWN JB DATE 9/29/97</p> <p>CHECKED RH DATE 06/21/13</p> <p>APPROVED RH DATE 06/21/13</p>	<p>CONFIDENTIAL AND PROPRIETARY INFORMATION</p> <p>THIS DOCUMENT CONTAINS CONFIDENTIAL AND PROPRIETARY INFORMATION OF MTE CORPORATION AND MAY NOT BE USED, COPIED OR DISCLOSED TO OTHERS EXCEPT WITH THE AUTHORIZED WRITTEN PERMISSION OF MTE CORPORATION</p> <p>DESCRIPTION</p> <p>LINE/LOAD REACTOR</p> <p>SIZE D DWG No. CD RL-16003 REV 23</p> <p>SCALE 1:2 SHEET 1 OF 1</p>
<p>AN BL POWER ELECTRONICS COMPANY</p> <p>N83 W13330 Leon Road Menomonee Falls, WI 53051 USA 800.455.4683 262.253.8200</p>			