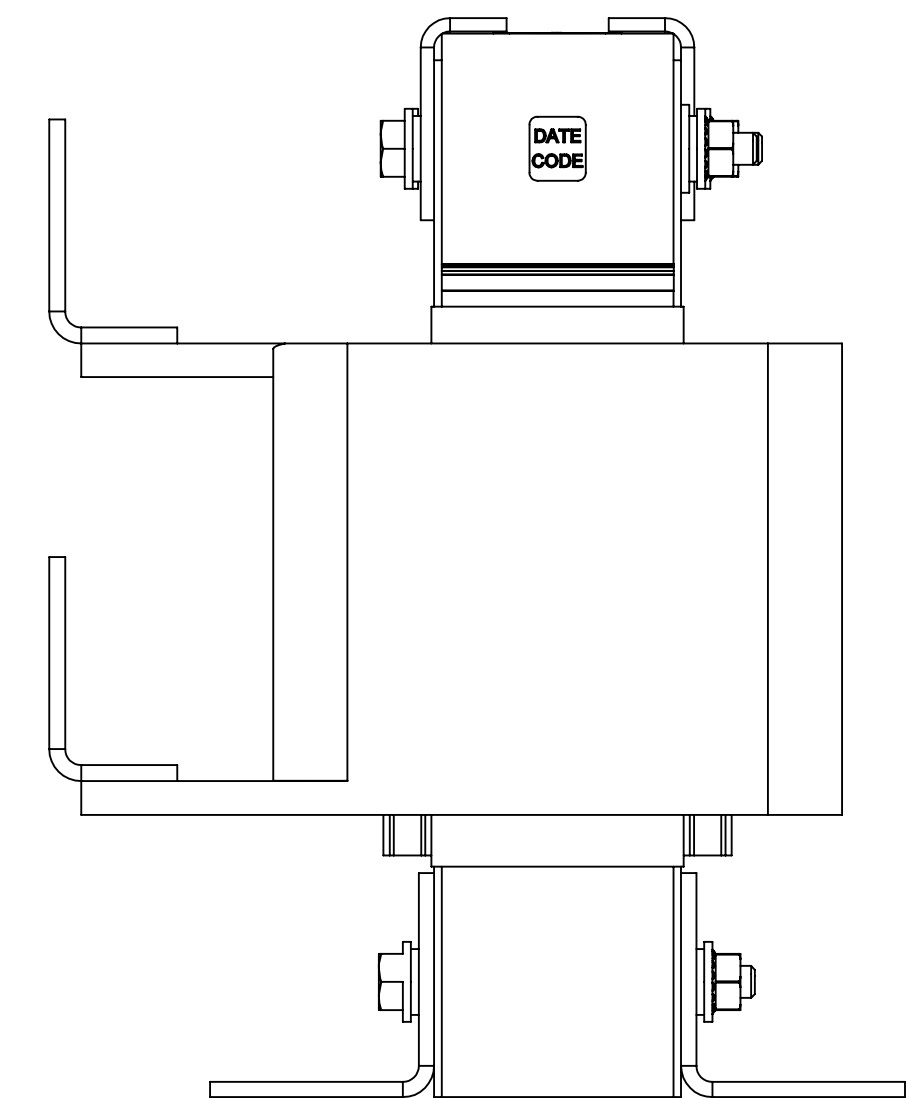
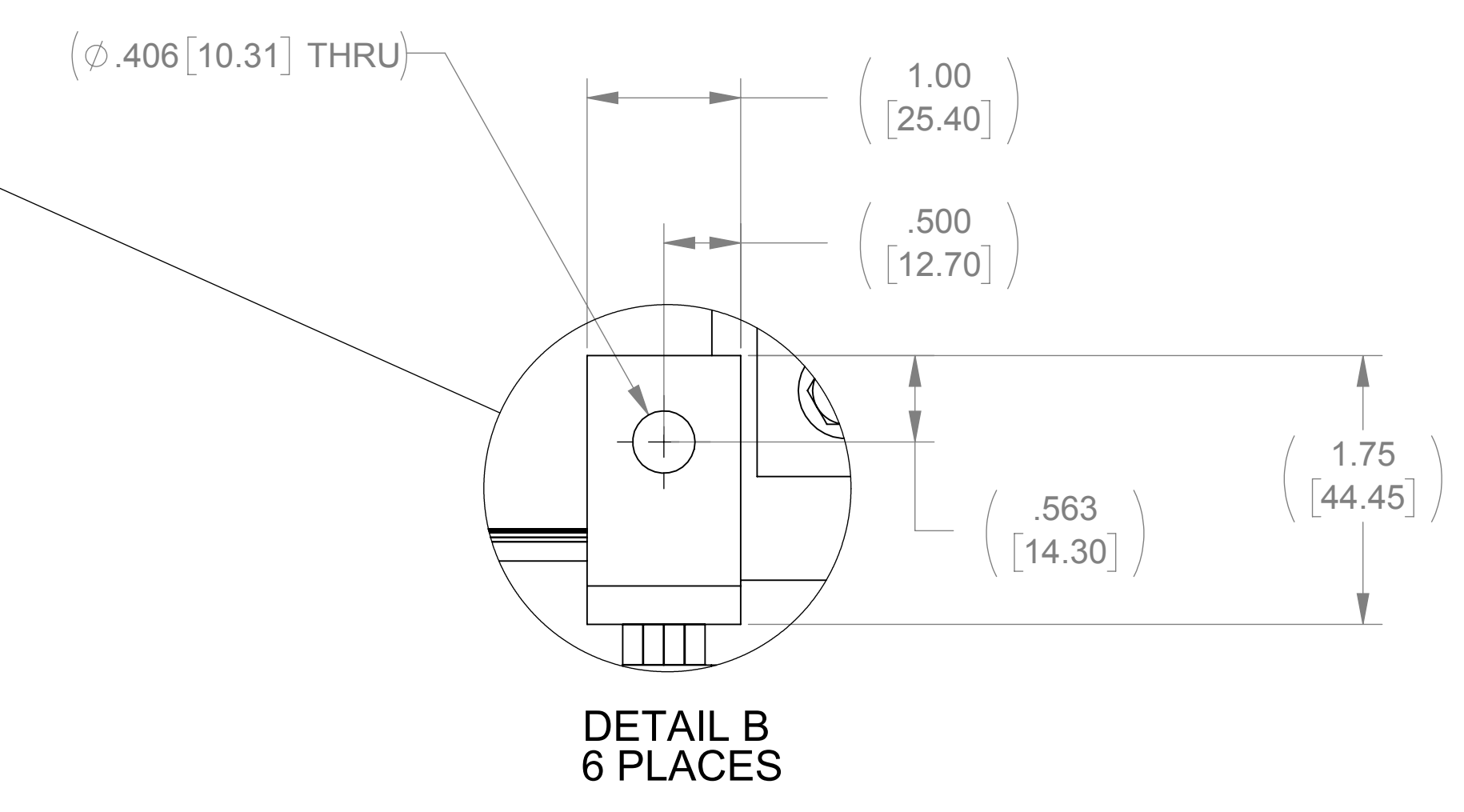
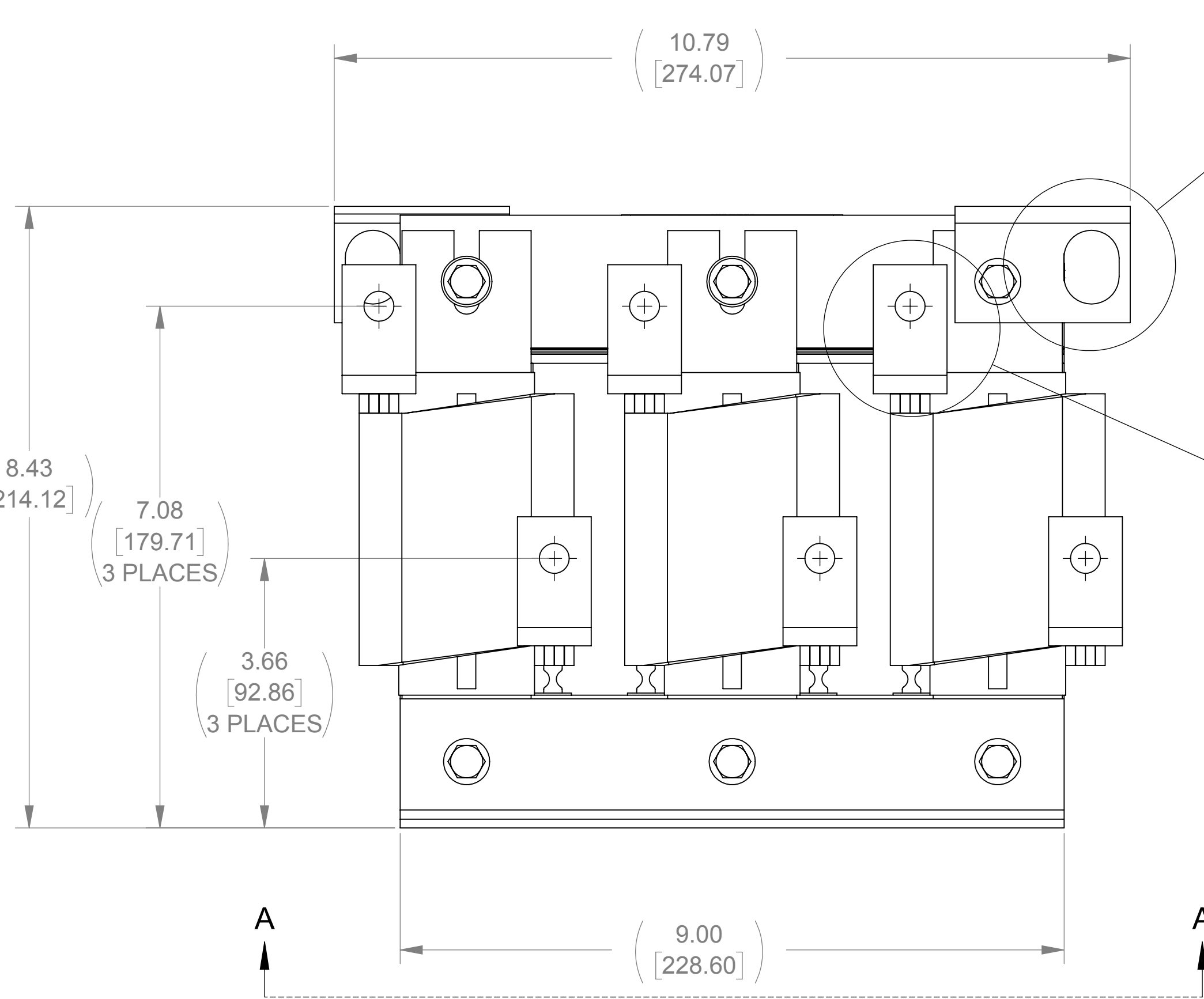
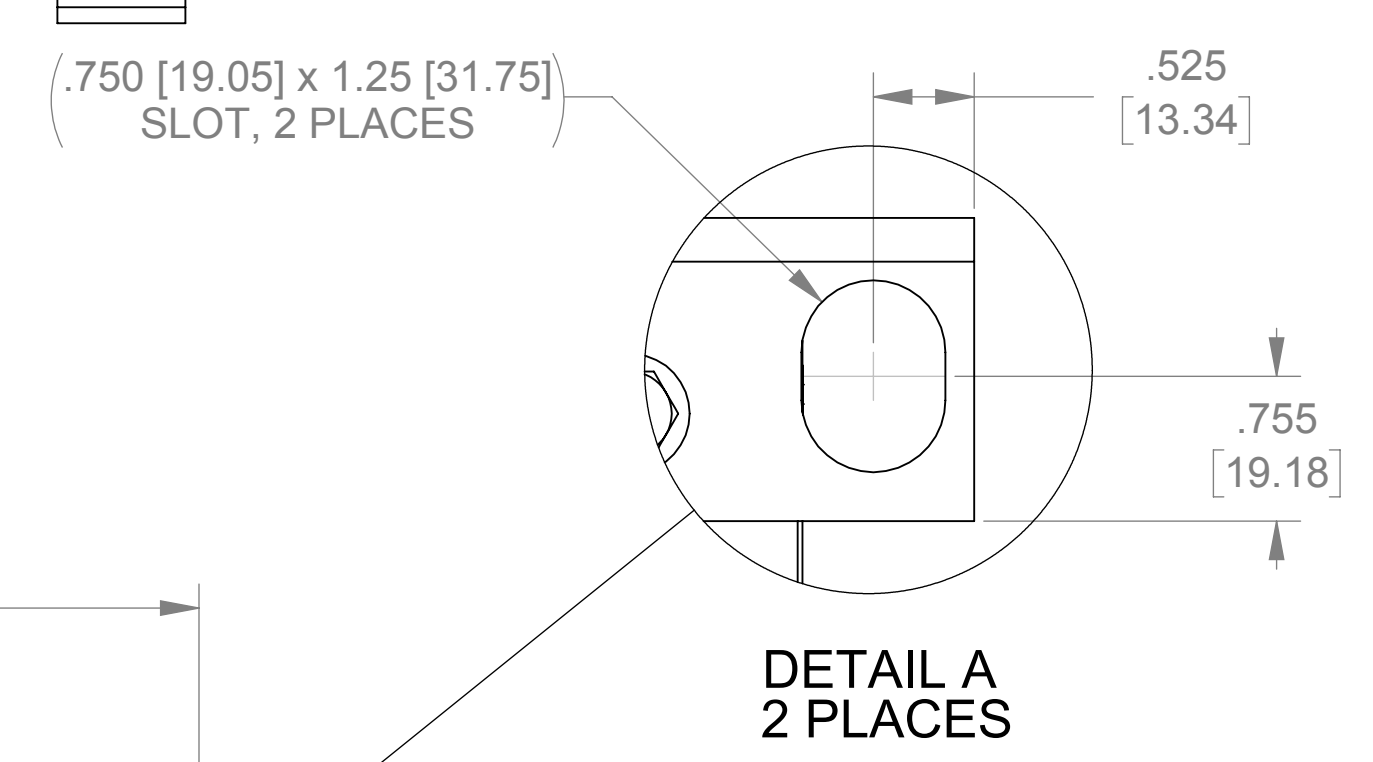
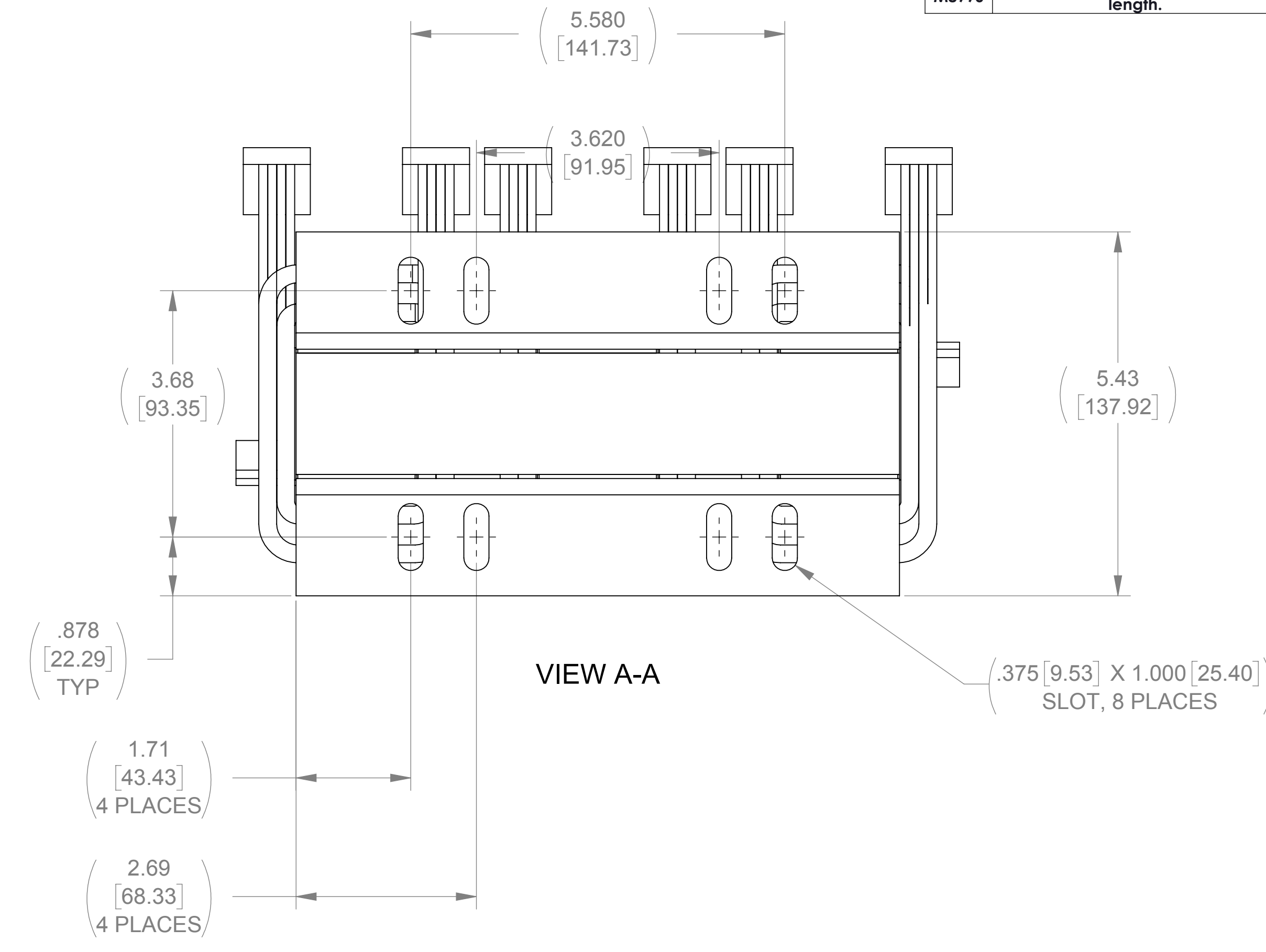
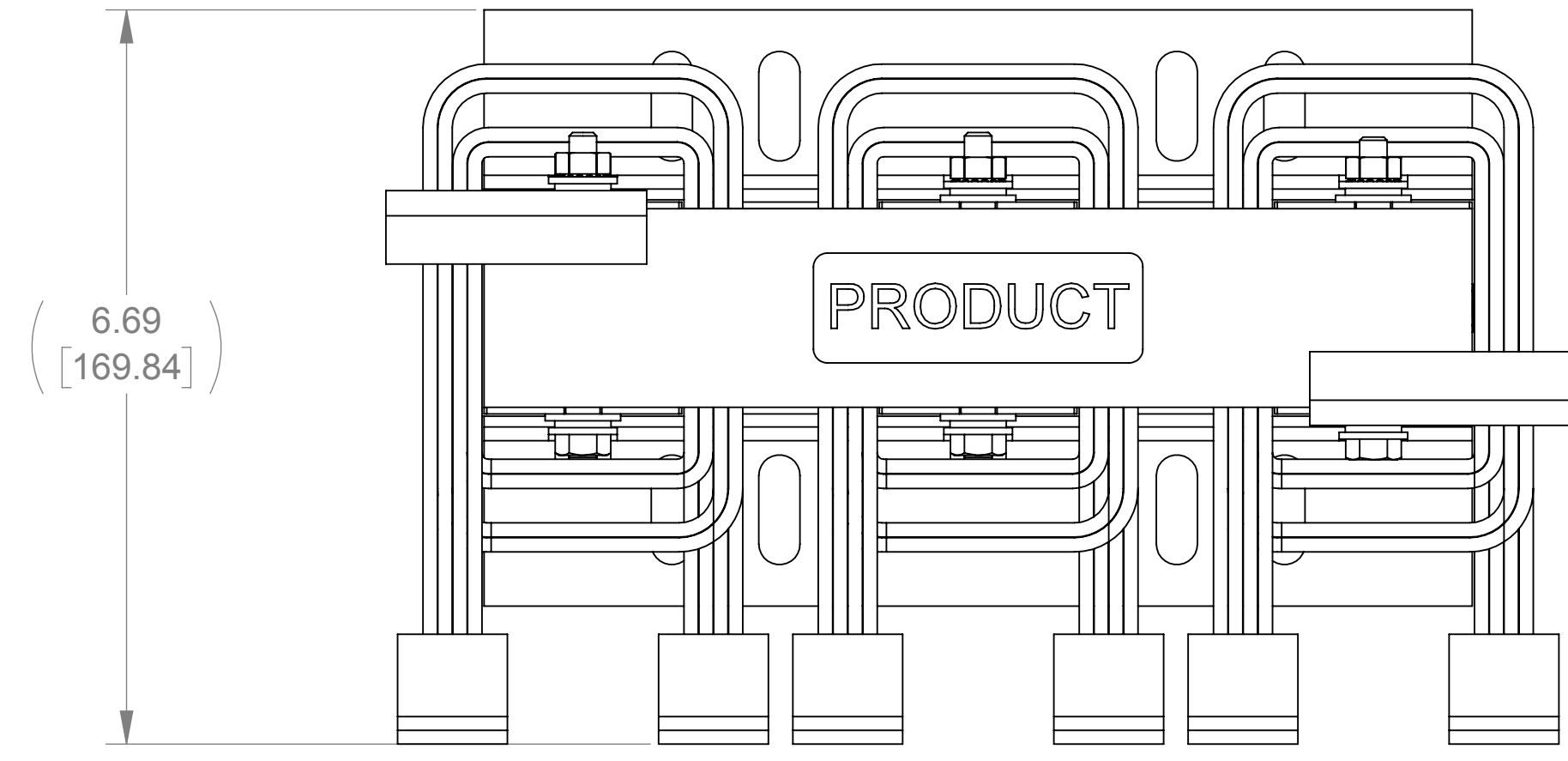


WEIGHT (LBS)	INDUCTANCE	LOSS (WATTS)
54	0.150 mH	149

ECO No	DESCRIPTION	REV BY	DATE
M8990	Update drawing with new lead length.	RT	02/05/14



THE COMPONENT, PART OR ASSEMBLY DESCRIBED IN THIS DOCUMENT MUST COMPLY WITH THE EU (EUROPEAN UNION) DIRECTIVE RoHS CONTAINS <0.1% OF ANY SVHC BY WEIGHT PER REACH REGULATION		MATERIAL DRAWN RD DATE 6/31/94 CHECKED EM DATE 02/05/14 APPROVED EM DATE 02/05/14	CONFIDENTIAL AND PROPRIETARY INFORMATION THIS DOCUMENT CONTAINS CONFIDENTIAL AND PROPRIETARY INFORMATION OF MTE CORPORATION AND MAY NOT BE USED, COPIED OR DISCLOSED TO OTHERS EXCEPT WITH THE AUTHORIZED WRITTEN PERMISSION OF MTE CORPORATION	
UNLESS OTHERWISE SPECIFIED DIMENSIONS ARE IN INCHES [MM] TOLERANCES ARE: ANGLES: ± 1° 1 PLACE .X: ± .1 [2.5] 2 PLACE .XX: ± .03 [0.76] 3 PLACE .XXX: ± .010 [0.254]			DESCRIPTION LINE/LOAD REACTOR	
 N83 W13330 Leon Road Menomonee Falls, WI 53051 USA 800.455.4683 262.253.8200			SIZE D SCALE 2:3	DWG No. CD RL-16002 REV 20