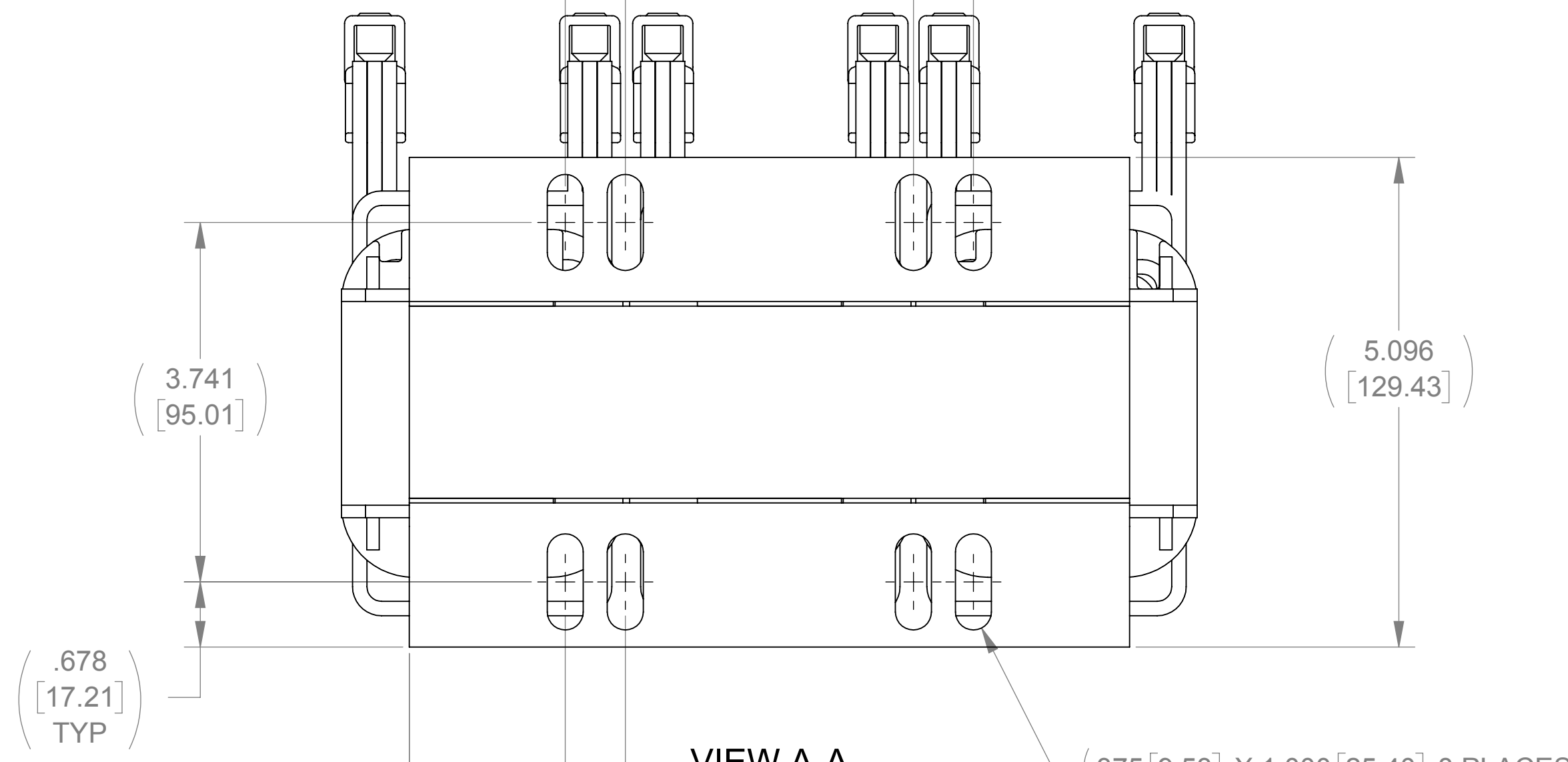
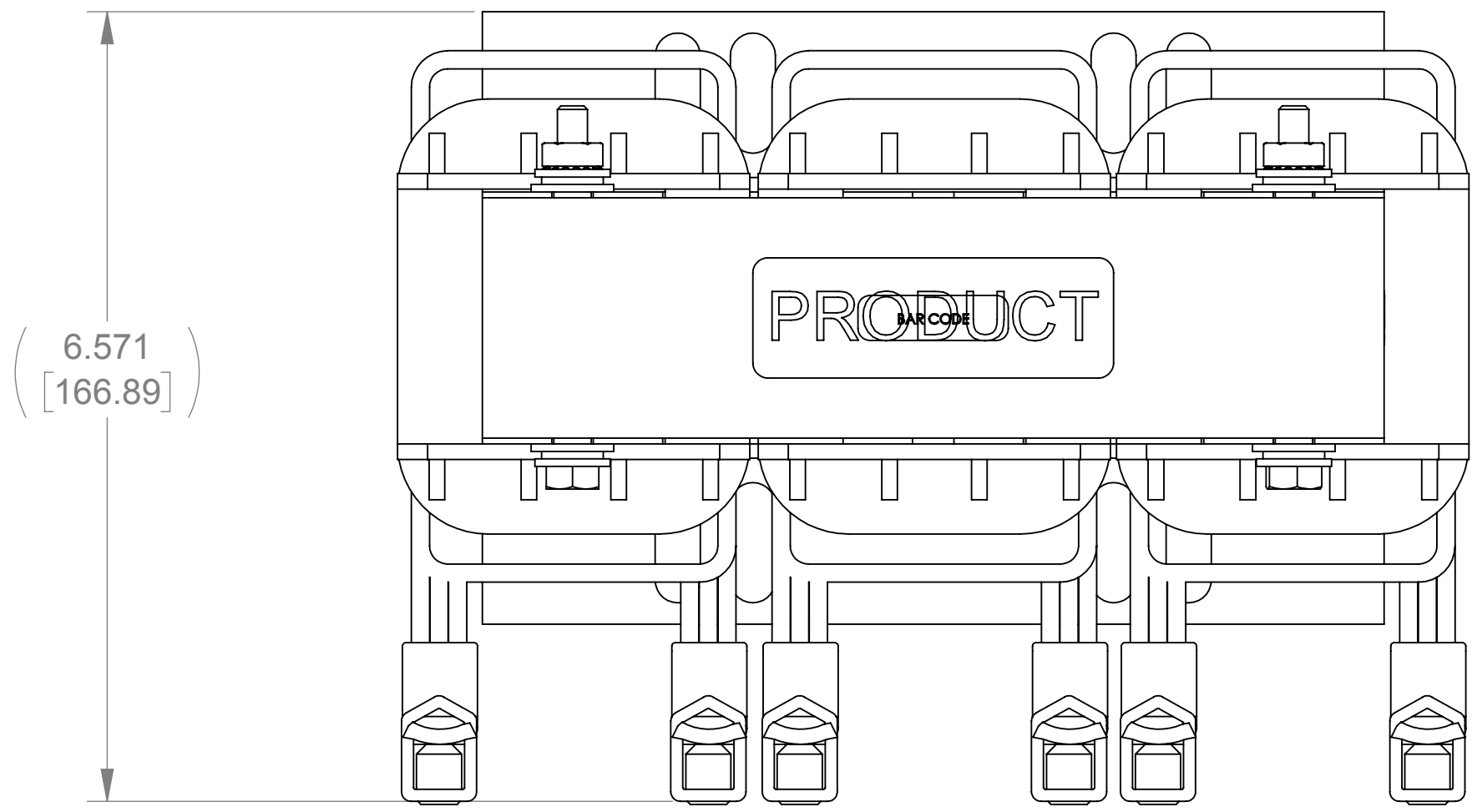
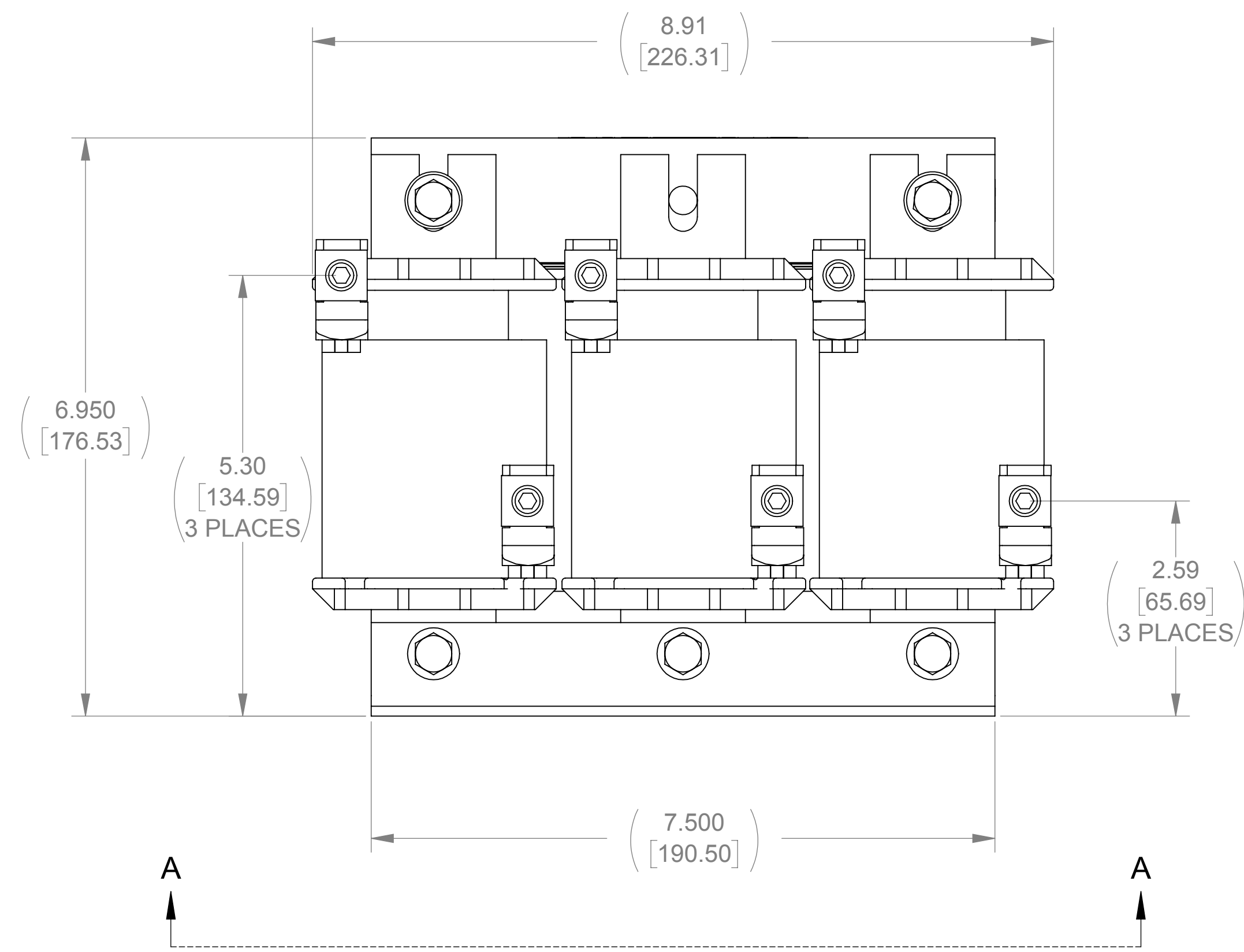


WEIGHT (LBS)	INDUCTANCE	LOSS (WATTS)
37	0.30 mH	84

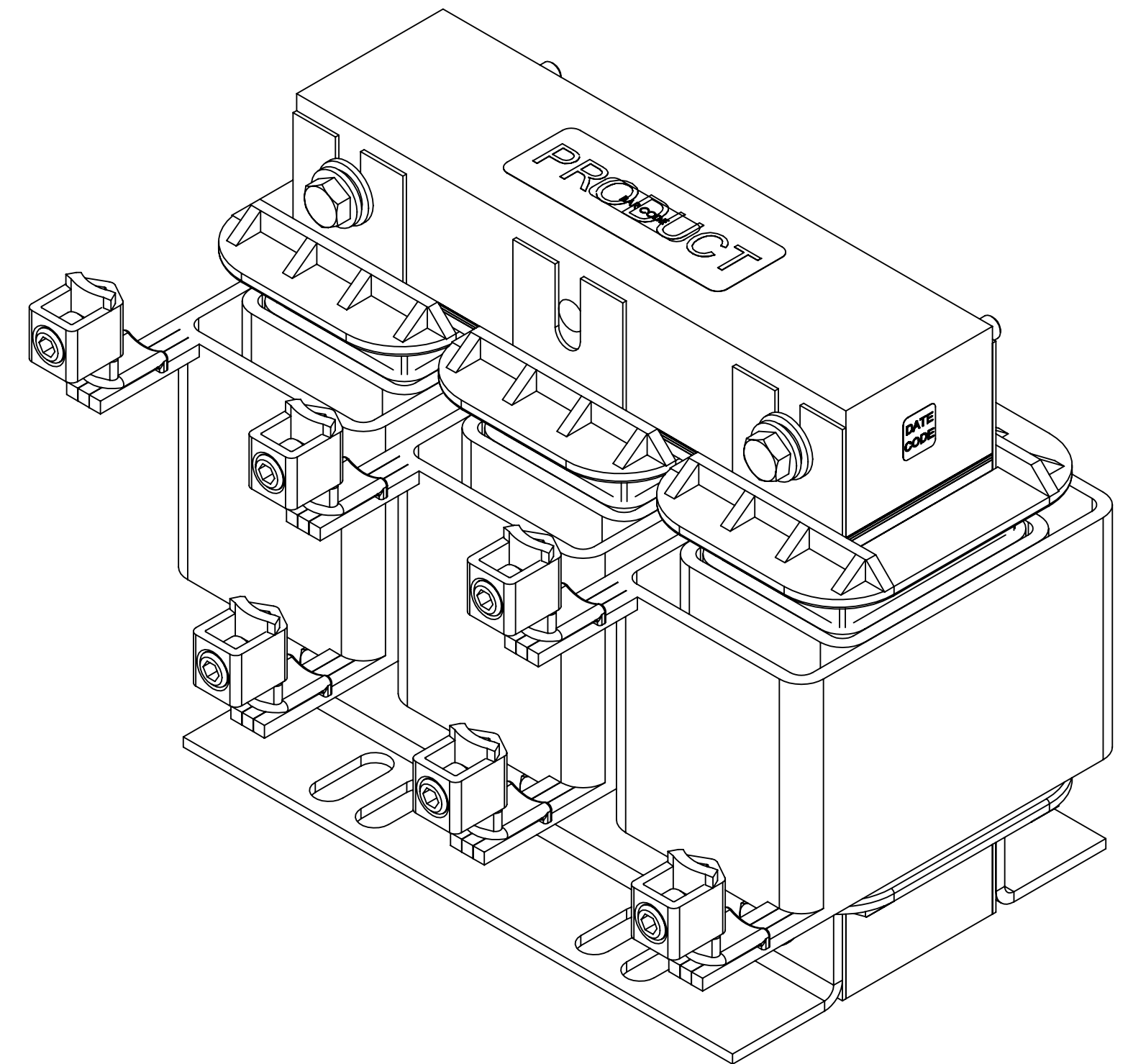
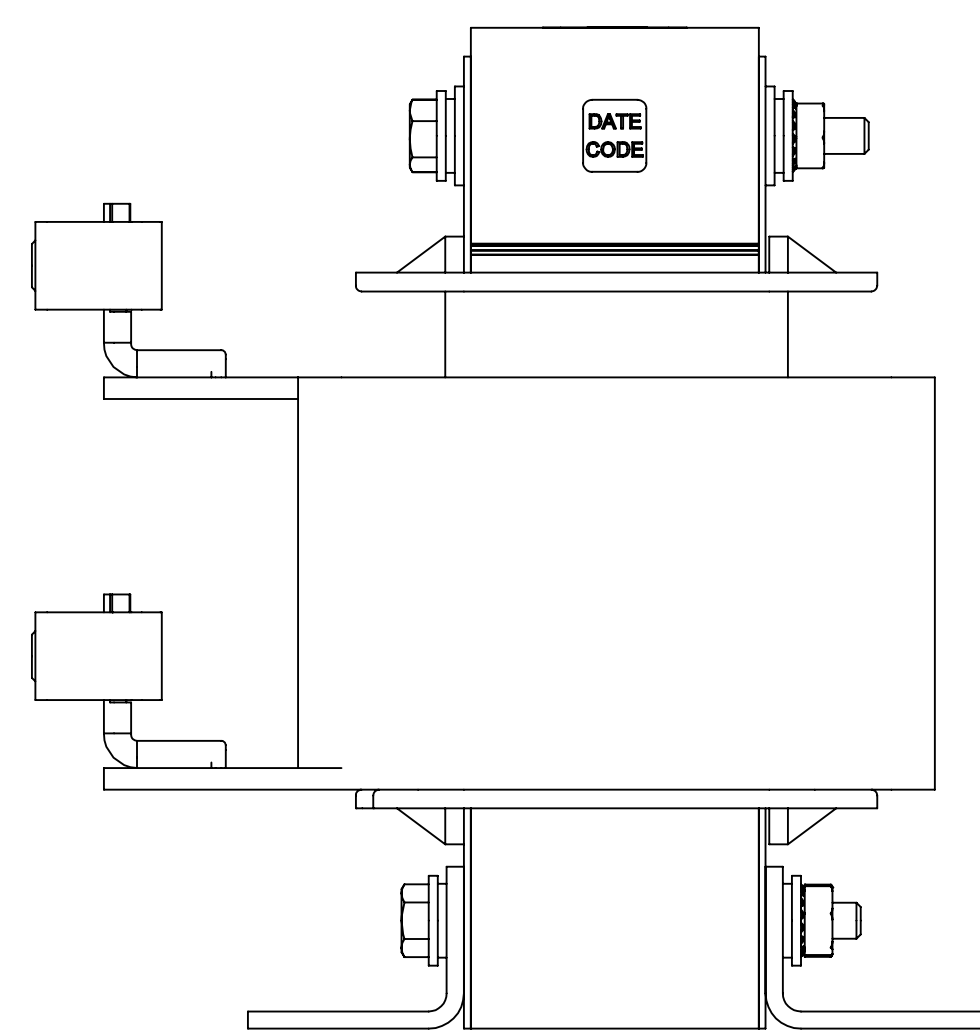
ECO No	DESCRIPTION	REV BY	DATE
M9655	FLIPPED COILS: DIMENSIONS CHANGES 2.59 WAS 3.17; 5.30 WAS 5.88	RAH	08/17/15



VIEW A-A
(.375[9.53] X 1.000[25.40] 8 PLACES)



1.625 [41.28] 4 PLACES
2.250 [57.15] 4 PLACES



- NOTES:
1. TERMINAL SCREW TORQUE: 6-4 (45 IN-LBS MAX), 2-0 (50 IN-LBS MAX)
2. WIRE RANGE: 6-0 AWG

<p>THE COMPONENT, PART OR ASSEMBLY DESCRIBED IN THIS DOCUMENT MUST COMPLY WITH THE EU (EUROPEAN UNION) DIRECTIVE RoHS2</p> <p>CONTAINS <0.1% OF ANY SVHC BY WEIGHT PER REACH REGULATION</p> <p>UNLESS OTHERWISE SPECIFIED DIMENSIONS ARE IN INCHES [MM] TOLERANCES ARE: ANGLES: ± 1 ° 1 PLACE .X: ± .1 [2.5] 2 PLACE .XX: ± .01 [0.25] 3 PLACE .XXX: ± .005 [0.127]</p>		<p>MATERIAL</p>		<p>CONFIDENTIAL AND PROPRIETARY INFORMATION THIS DOCUMENT CONTAINS CONFIDENTIAL AND PROPRIETARY INFORMATION OF MTE CORPORATION AND MAY NOT BE USED, COPIED OR DISCLOSED TO OTHERS EXCEPT WITH THE AUTHORIZED WRITTEN PERMISSION OF MTE CORPORATION</p>	
<p>UNLESS OTHERWISE SPECIFIED DIMENSIONS ARE IN INCHES [MM] TOLERANCES ARE: ANGLES: ± 1 ° 1 PLACE .X: ± .1 [2.5] 2 PLACE .XX: ± .01 [0.25] 3 PLACE .XXX: ± .005 [0.127]</p>		<p>DRAWN MDG DATE 9/30/05 CHECKED JM DATE 08/17/15 APPROVED JM DATE 08/17/15</p>		<p>DESCRIPTION LINE/LOAD REACTOR</p>	
<p>N83 W13330 Leon Road Menomonee Falls, WI 53051 USA 800.455.4683 262.253.8200</p>		<p>SIZE D DWG No. CD RL-10002 REV 16 SCALE 1:2 SHEET 1 OF 1</p>			