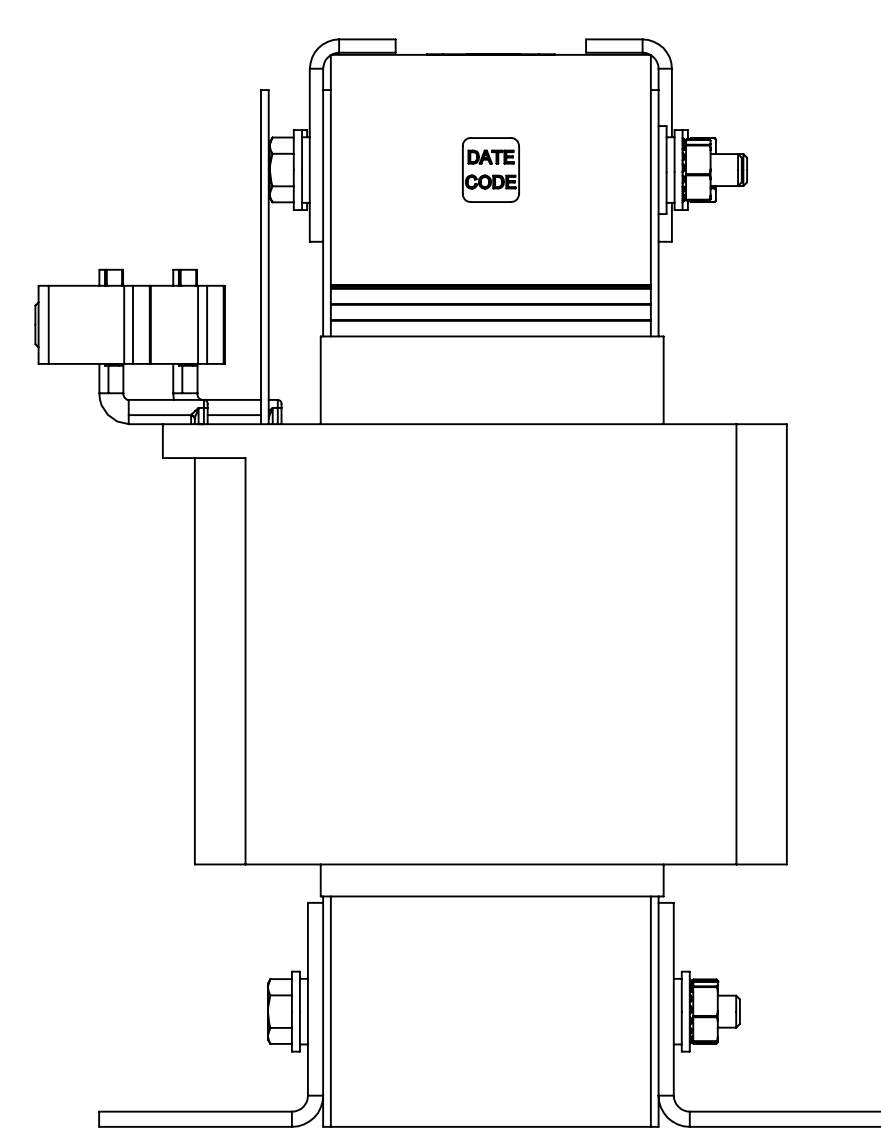
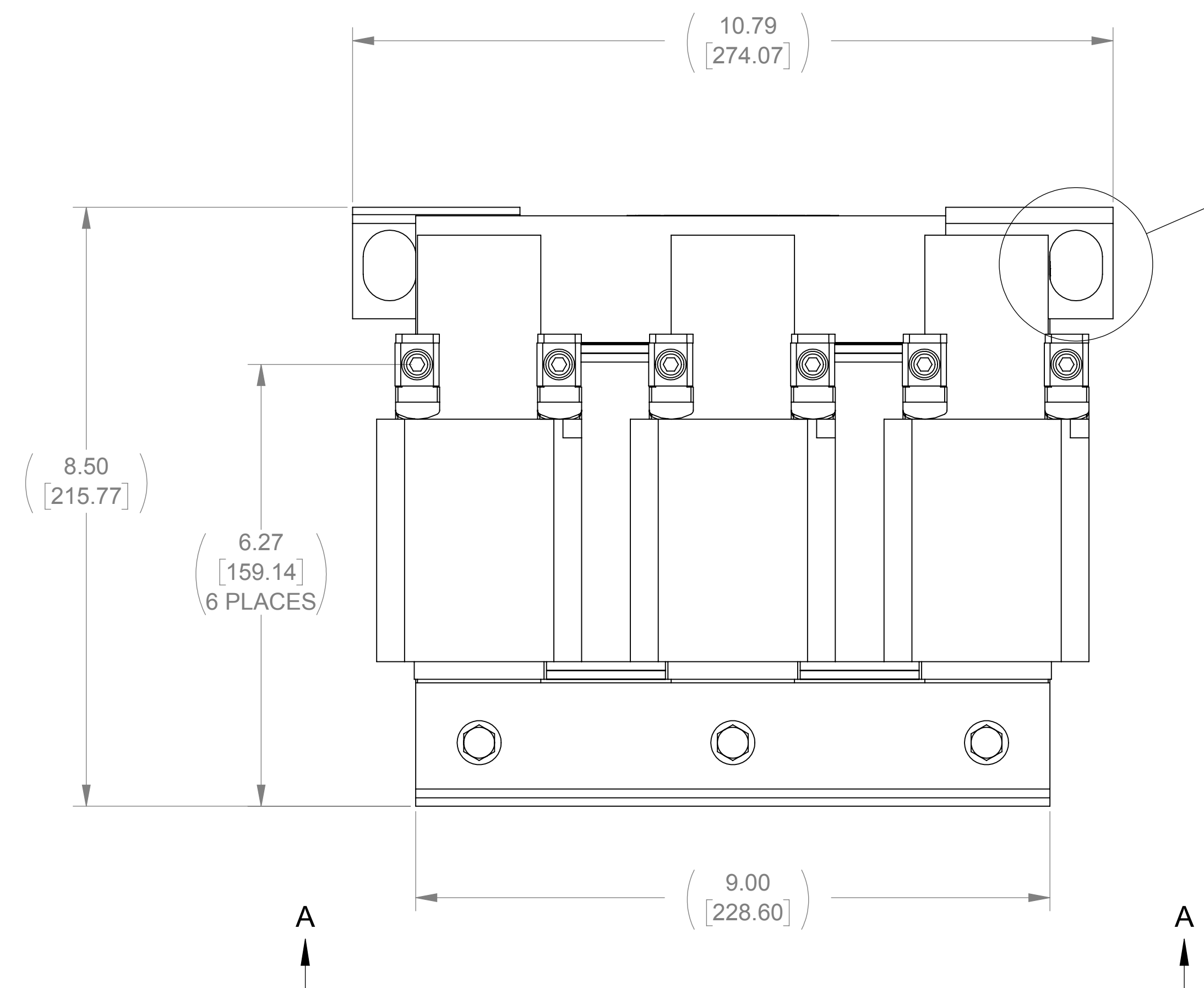
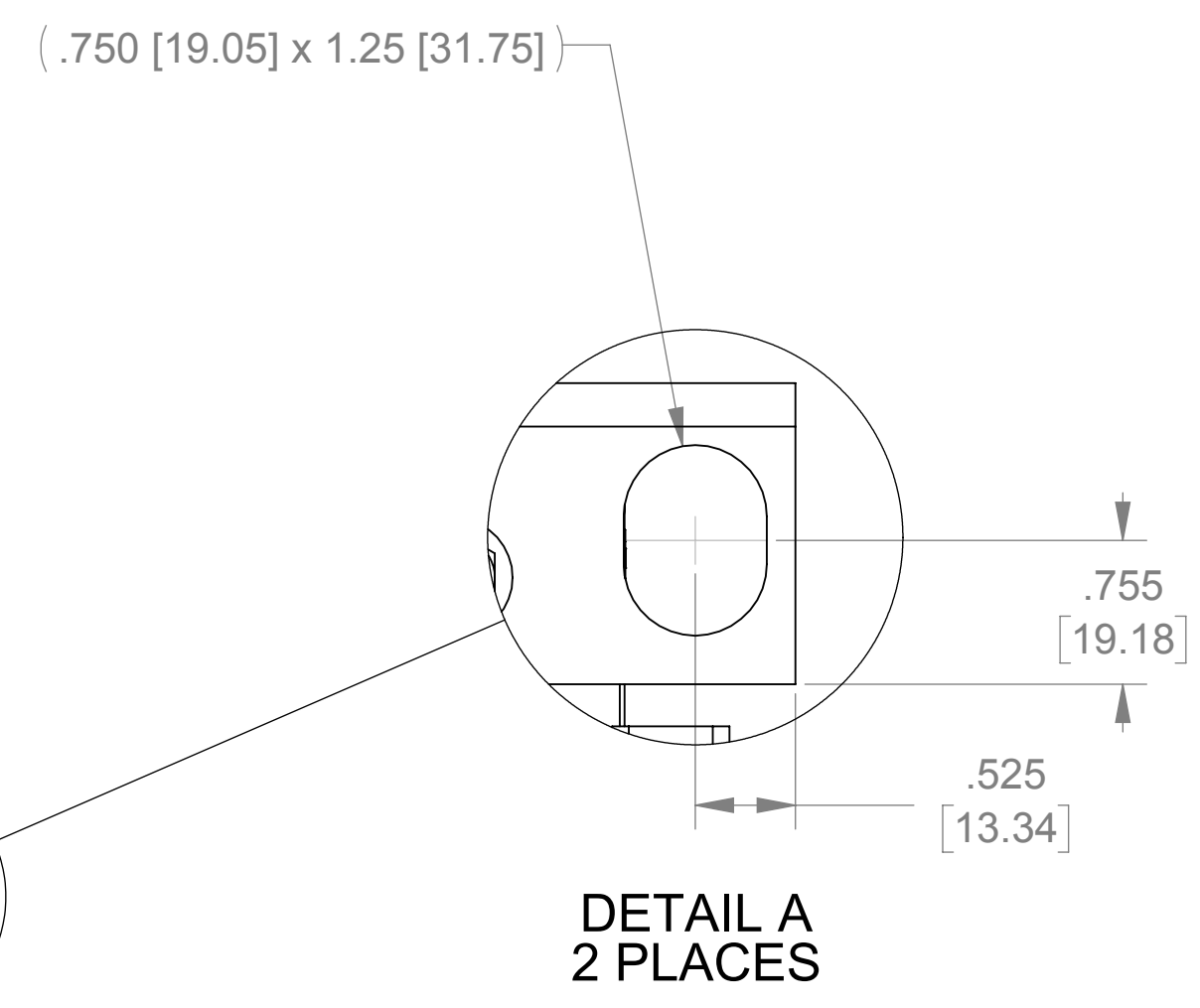
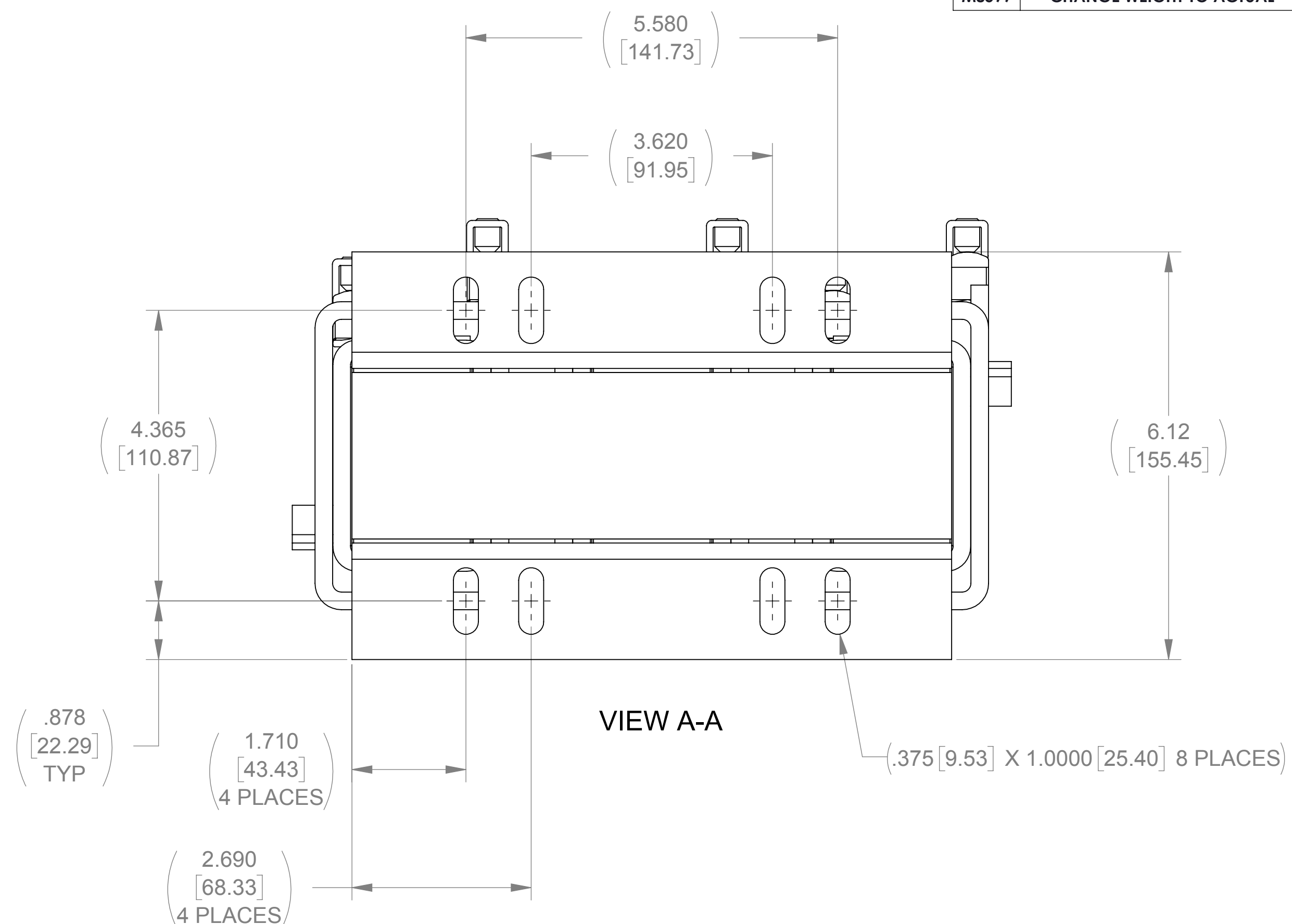
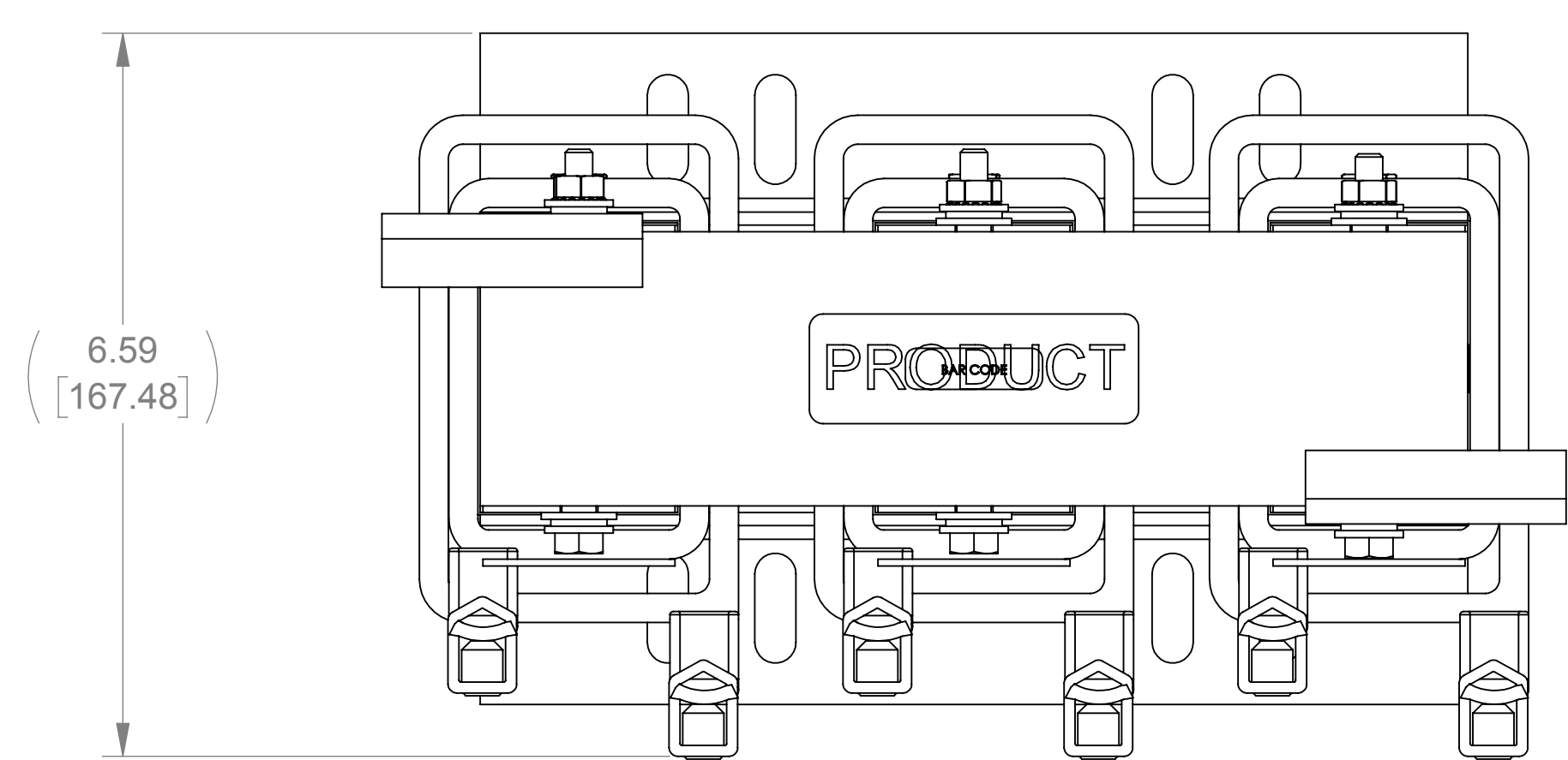


WEIGHT (LBS)	INDUCTANCE	LOSS (WATTS)
63	0.7 mH	96

ECO No	DESCRIPTION	REV BY	DATE
M8599	CHANGE WEIGHT TO ACTUAL	RT	06/19/13



<p>THE COMPONENT, PART OR ASSEMBLY DESCRIBED IN THIS DOCUMENT MUST COMPLY WITH THE EU (EUROPEAN UNION) DIRECTIVE RoHS</p> <p>CONTAINS <0.1% OF ANY SVHC BY WEIGHT PER REACH REGULATION</p> <p>UNLESS OTHERWISE SPECIFIED DIMENSIONS ARE IN INCHES [MM] TOLERANCES ARE:</p> <p>ANGLES: ± 1°</p> <p>1 PLACE .X: ± .1 [2.5]</p> <p>2 PLACE .XX: ± .03 [0.76]</p> <p>3 PLACE .XXX: ± .010 [0.254]</p>		<p>MTE</p> <p>AN BL POWER ELECTRONICS COMPANY</p> <p>N83 W13330 Leon Road Menomonee Falls, WI 53051 USA 800.455.4683 262.253.8200</p>	<p>MATERIAL</p>		<p>CONFIDENTIAL AND PROPRIETARY INFORMATION</p> <p>THIS DOCUMENT CONTAINS CONFIDENTIAL AND PROPRIETARY INFORMATION OF MTE CORPORATION AND MAY NOT BE USED, COPIED OR DISCLOSED TO OTHERS EXCEPT WITH THE AUTHORIZED WRITTEN PERMISSION OF MTE CORPORATION</p> <p>DESCRIPTION</p> <p>LINE/LOAD REACTOR</p>
<p>DRAWN RD DATE 06/07/94</p> <p>CHECKED RH DATE 06/21/13</p> <p>APPROVED RH DATE 06/21/13</p>			<p>SIZE D DWG No. CD RL-08003 REV 22</p> <p>SCALE 1:2 SHEET 1 OF 1</p>		