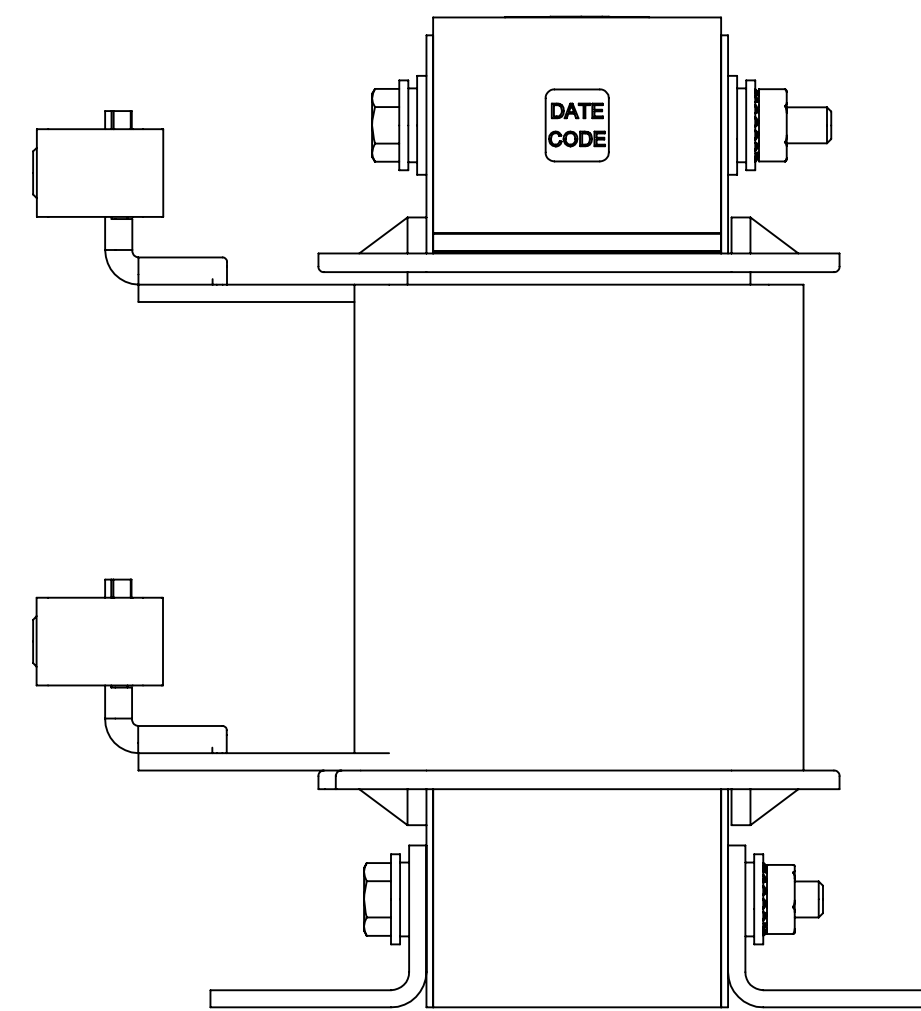
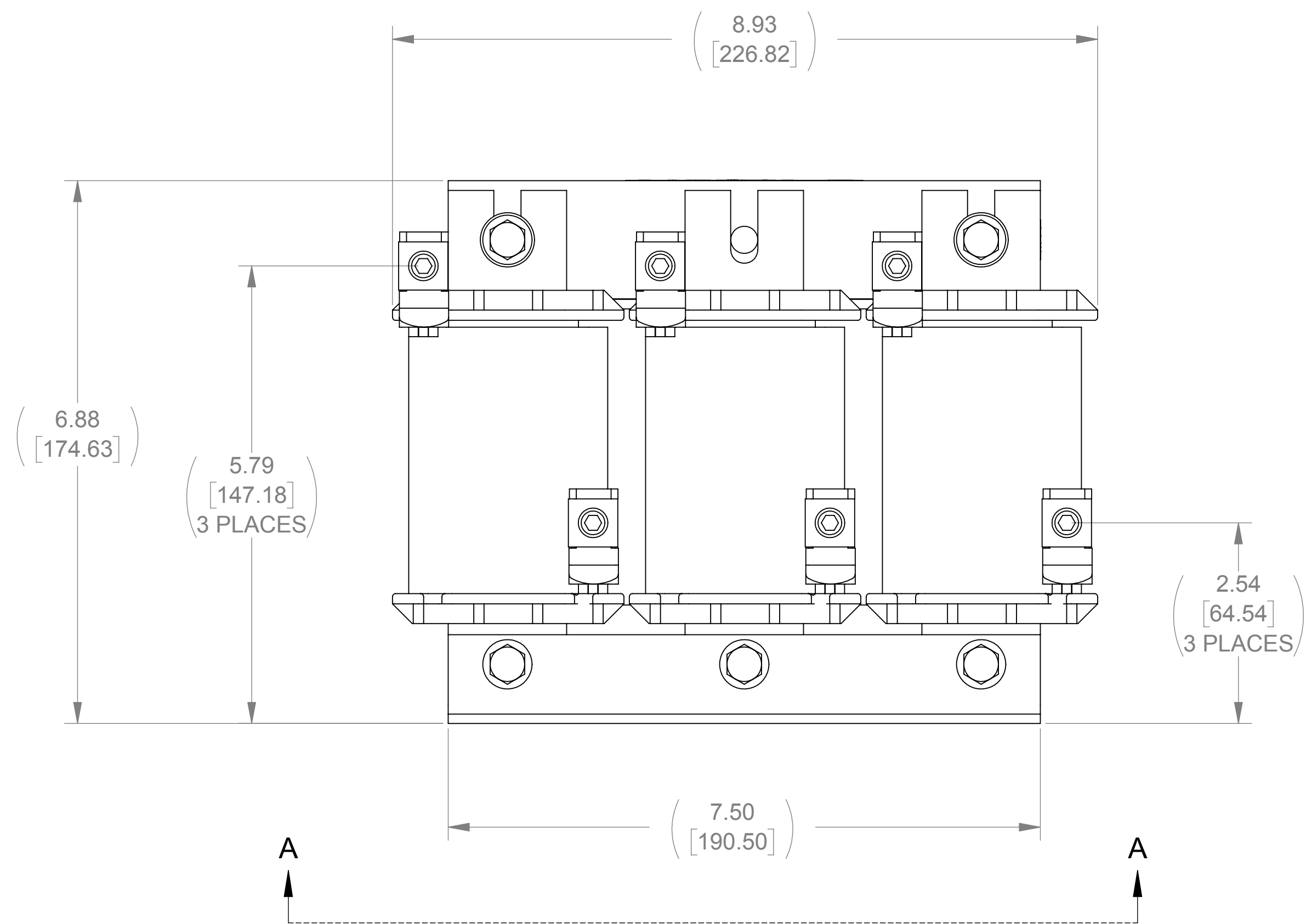
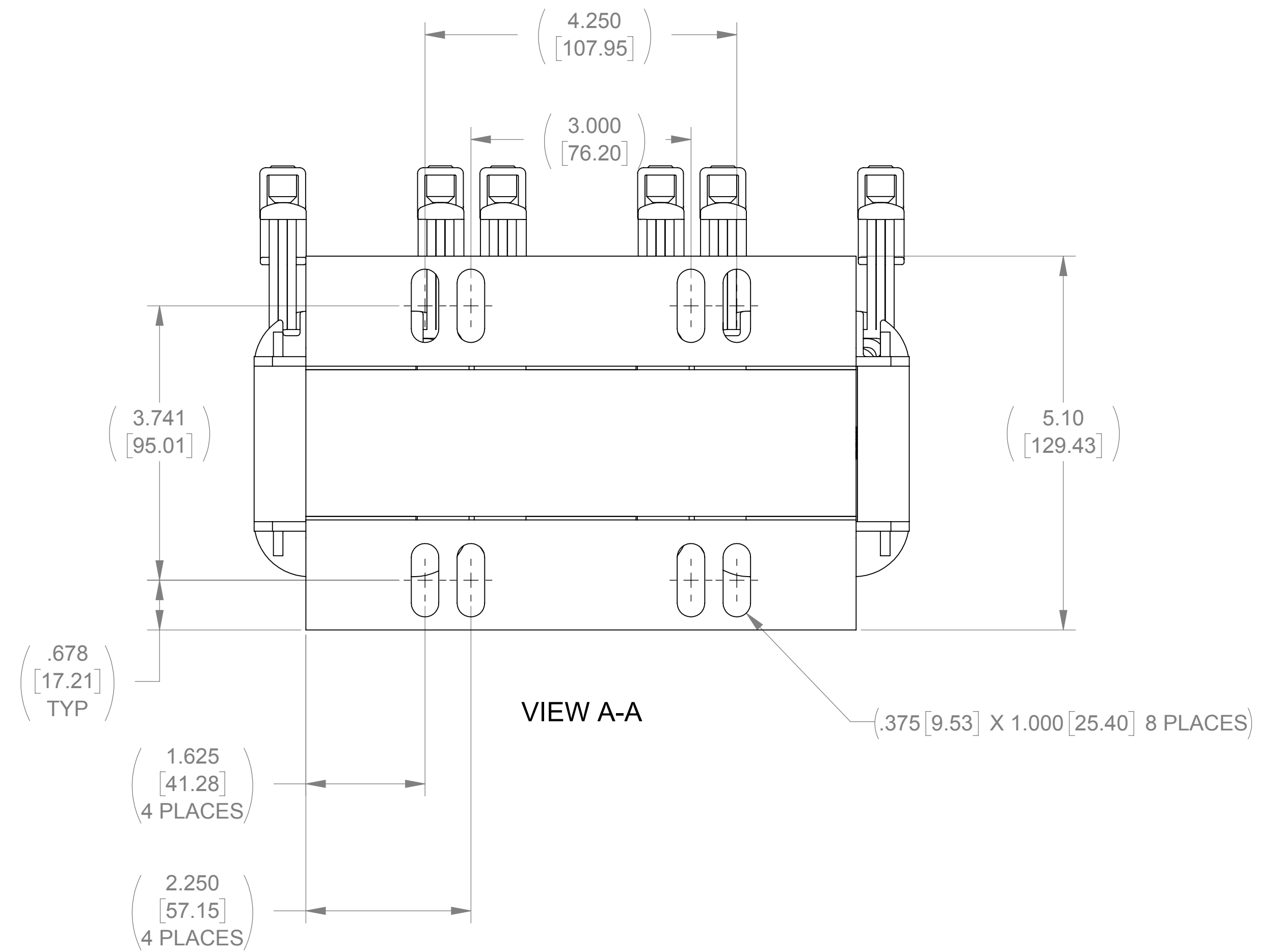
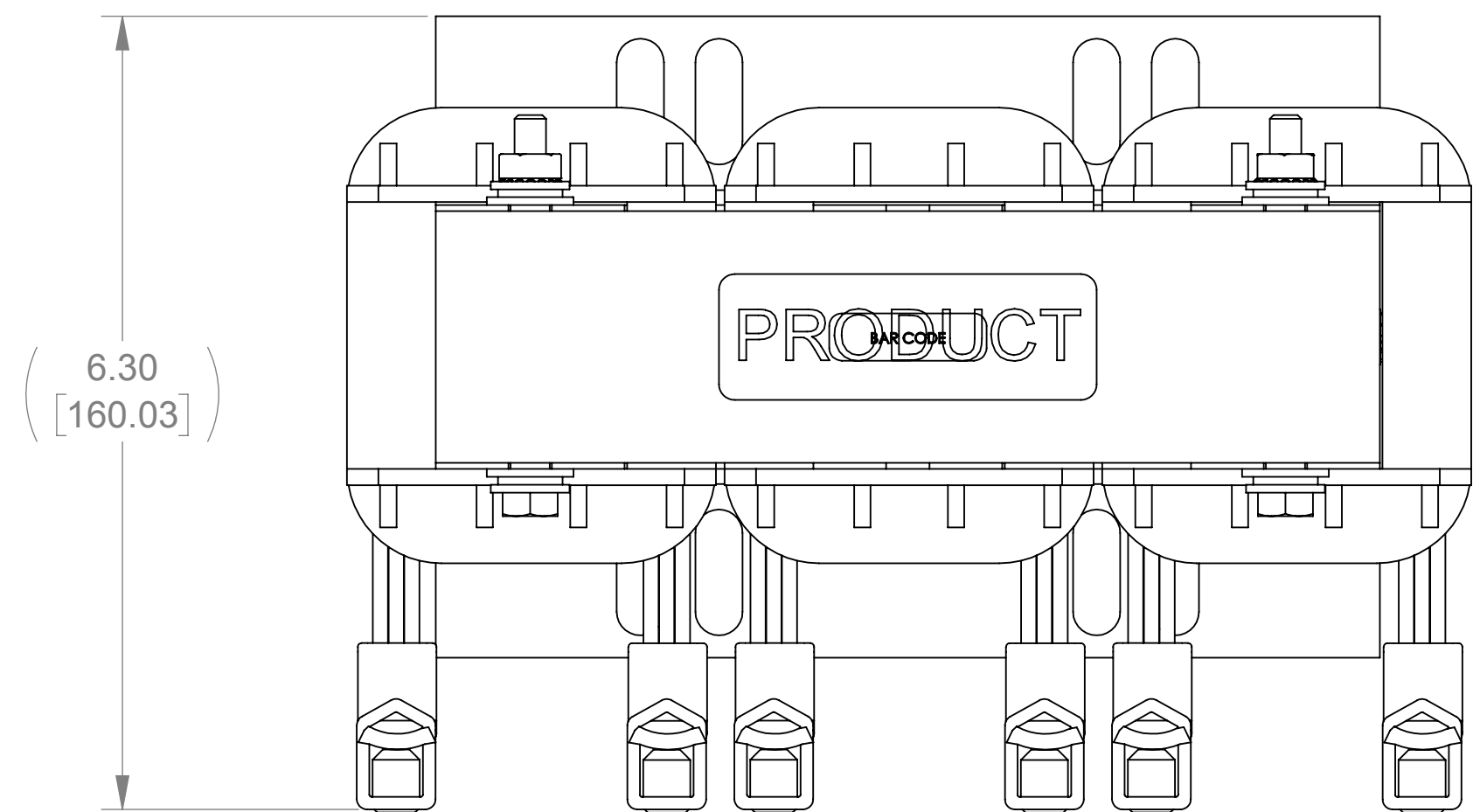



WEIGHT (LBS)	INDUCTANCE	LOSS (WATTS)
34	0.85 mH	71

ECO No	DESCRIPTION	REV BY	DATE
M9076	INCREASED BRAZE LENGTH ON COIL (0.5")	JT	04/02/14



- NOTES:
 1. TERMINAL SCREW TORQUE:
 6-4 (45 IN-LBS MAX)
 2-0 (50 IN-LBS MAX)
 2. WIRE RANGE: 6-0 AWG

THE COMPONENT, PART OR ASSEMBLY DESCRIBED IN THIS DOCUMENT MUST COMPLY WITH THE EU (EUROPEAN UNION) DIRECTIVE RoHS CONTAINS <0.1% OF ANY SVHC BY WEIGHT PER REACH REGULATION		MATERIAL		CONFIDENTIAL AND PROPRIETARY INFORMATION THIS DOCUMENT CONTAINS CONFIDENTIAL AND PROPRIETARY INFORMATION OF MTE CORPORATION AND MAY NOT BE USED, COPIED OR DISCLOSED TO OTHERS EXCEPT WITH THE AUTHORIZED WRITTEN PERMISSION OF MTE CORPORATION	
UNLESS OTHERWISE SPECIFIED DIMENSIONS ARE IN INCHES [MM] TOLERANCES ARE: ANGLES: ± 1° 1 PLACE .X: ± .1 [2.5] 2 PLACE .XX: ± .03 [0.76] 3 PLACE .XXX: ± .010 [0.254]		 AN BL POWER ELECTRONICS COMPANY N83 W13330 Leon Road Menomonee Falls, WI 53051 USA 800.455.4683 262.253.8200		DESCRIPTION LINE/LOAD REACTOR	
DRAWN BGS	DATE 4/8/04	CHECKED RH	DATE 04/02/14	SIZE D	DWG No. CD RL-05503
APPROVED RH	DATE 04/02/14	REV 19		SCALE 1:2	SHEET 1 OF 1