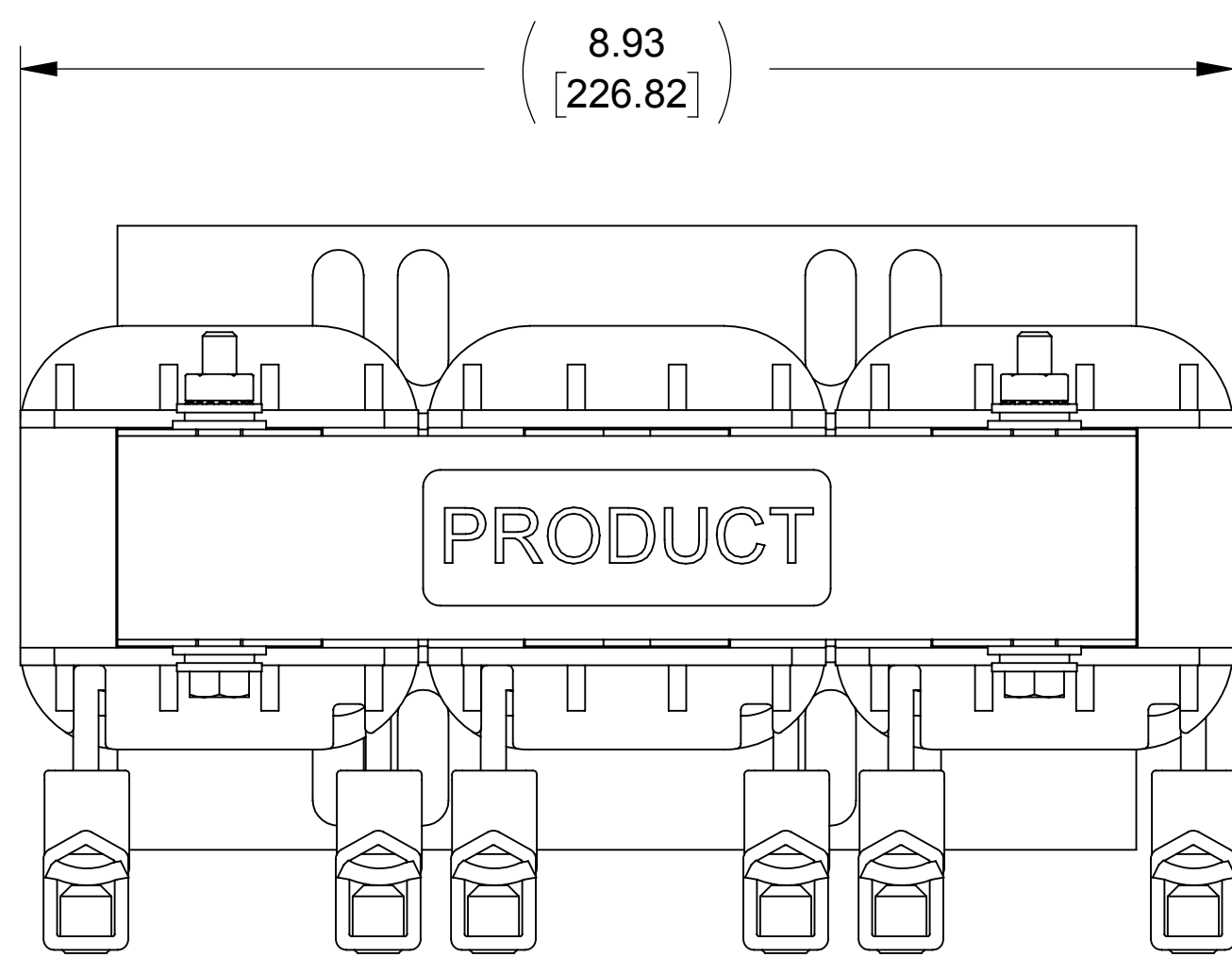
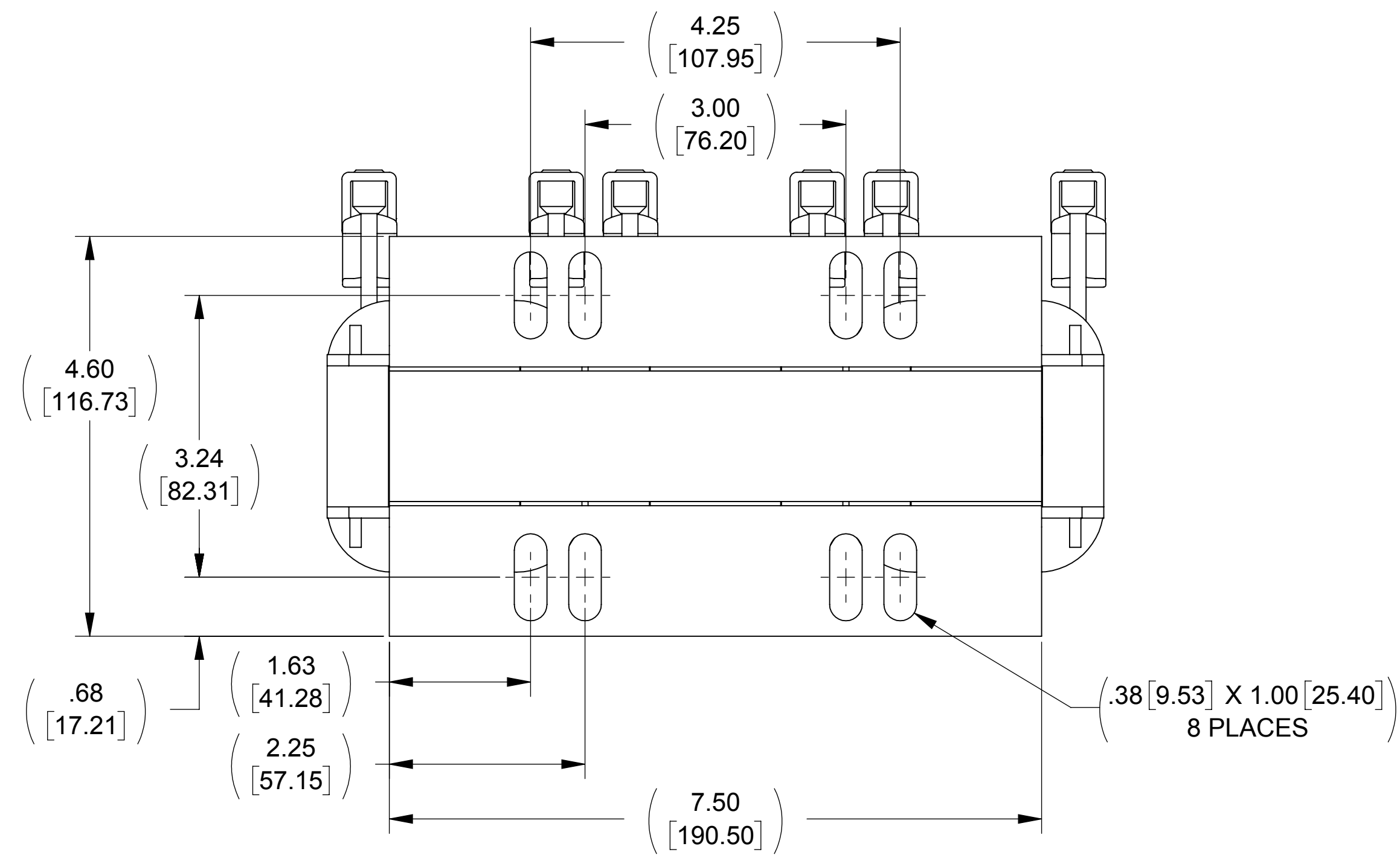


WEIGHT (LBS)	INDUCTANCE	LOSS (WATTS)
26	0.5 mH	67

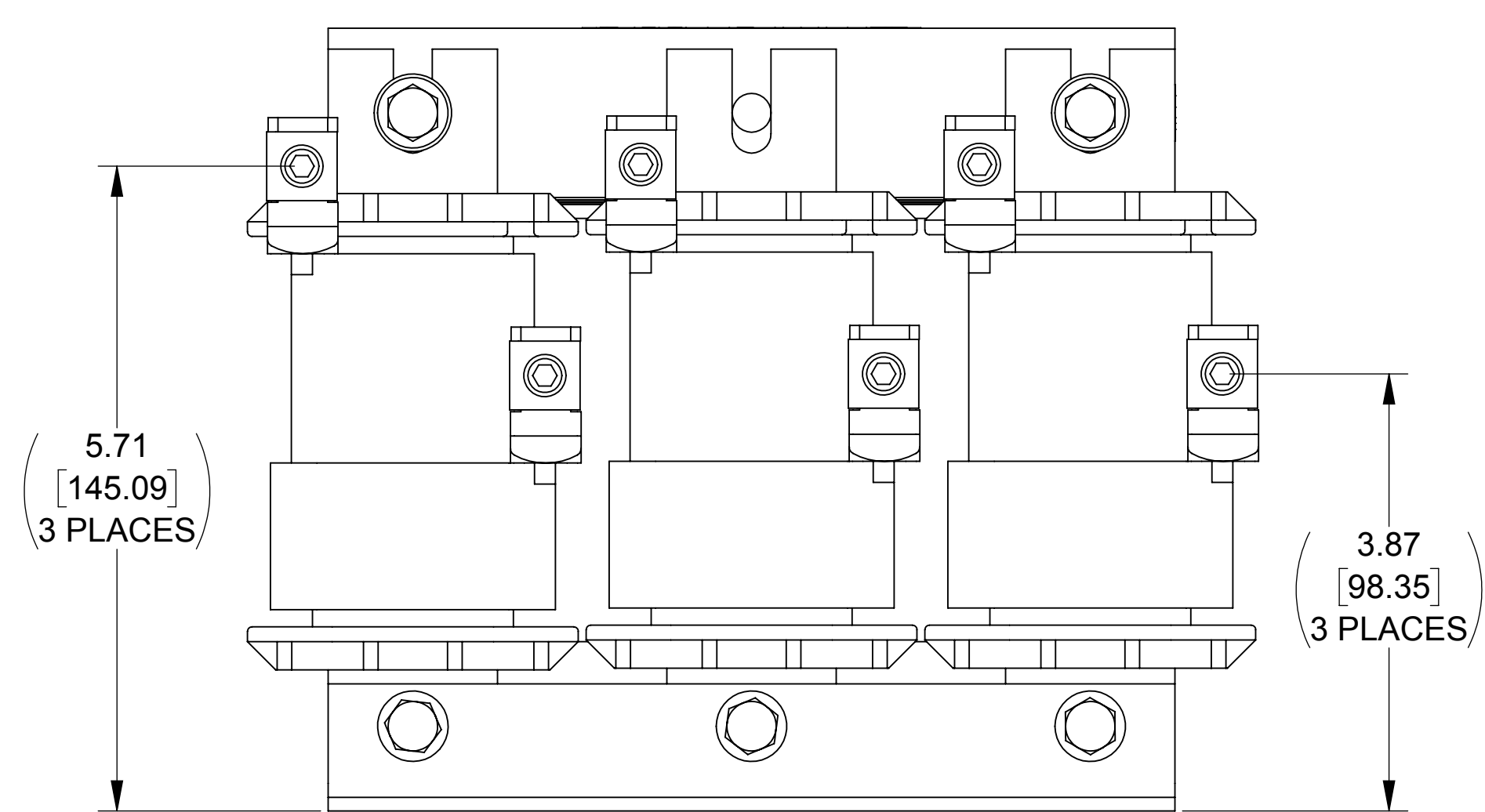
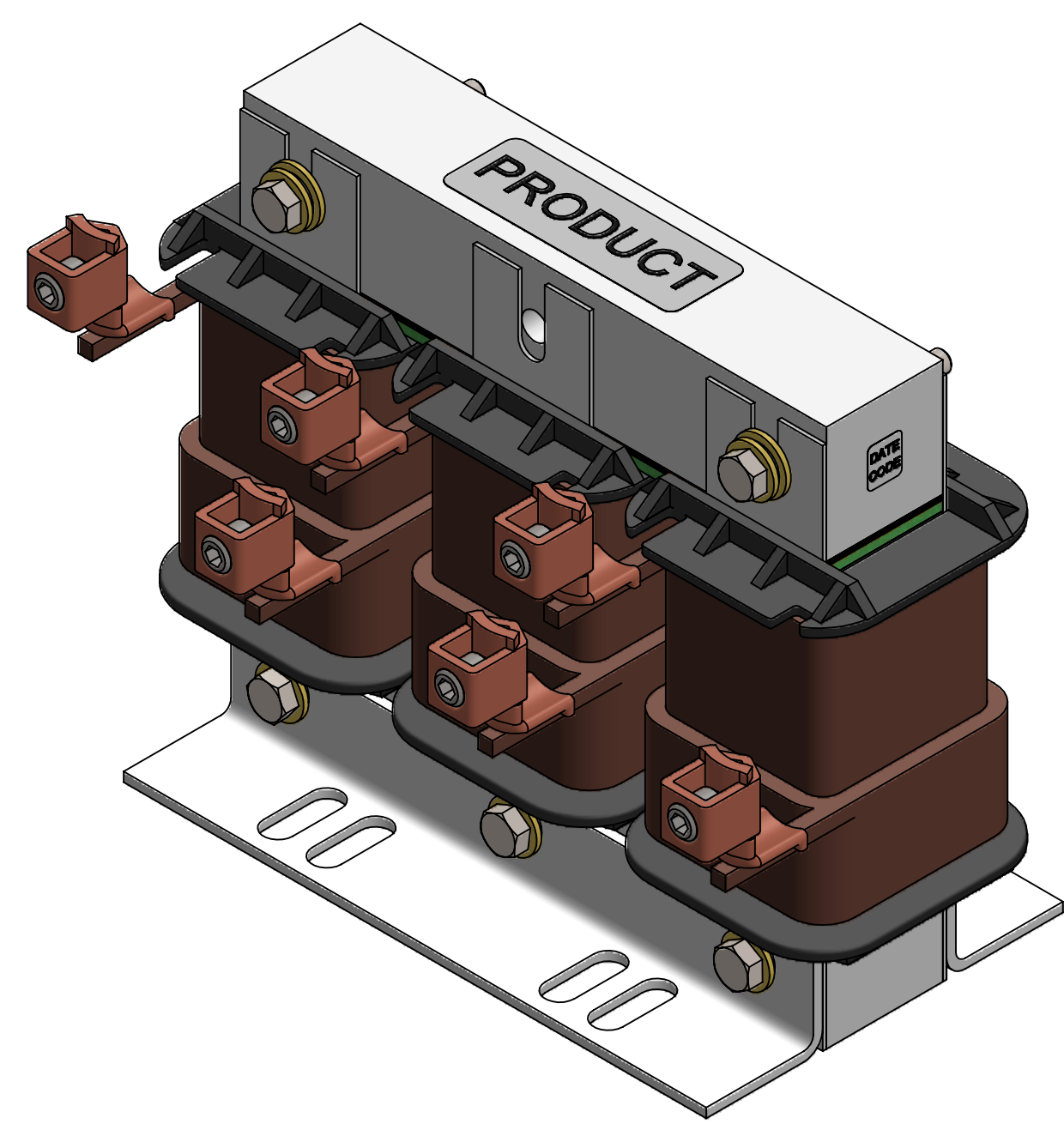
ECO No	DESCRIPTION	REV BY	DATE
M11699	UPDATED DRAWING / CHANGED SHEET FORMAT	JD	04/08/19



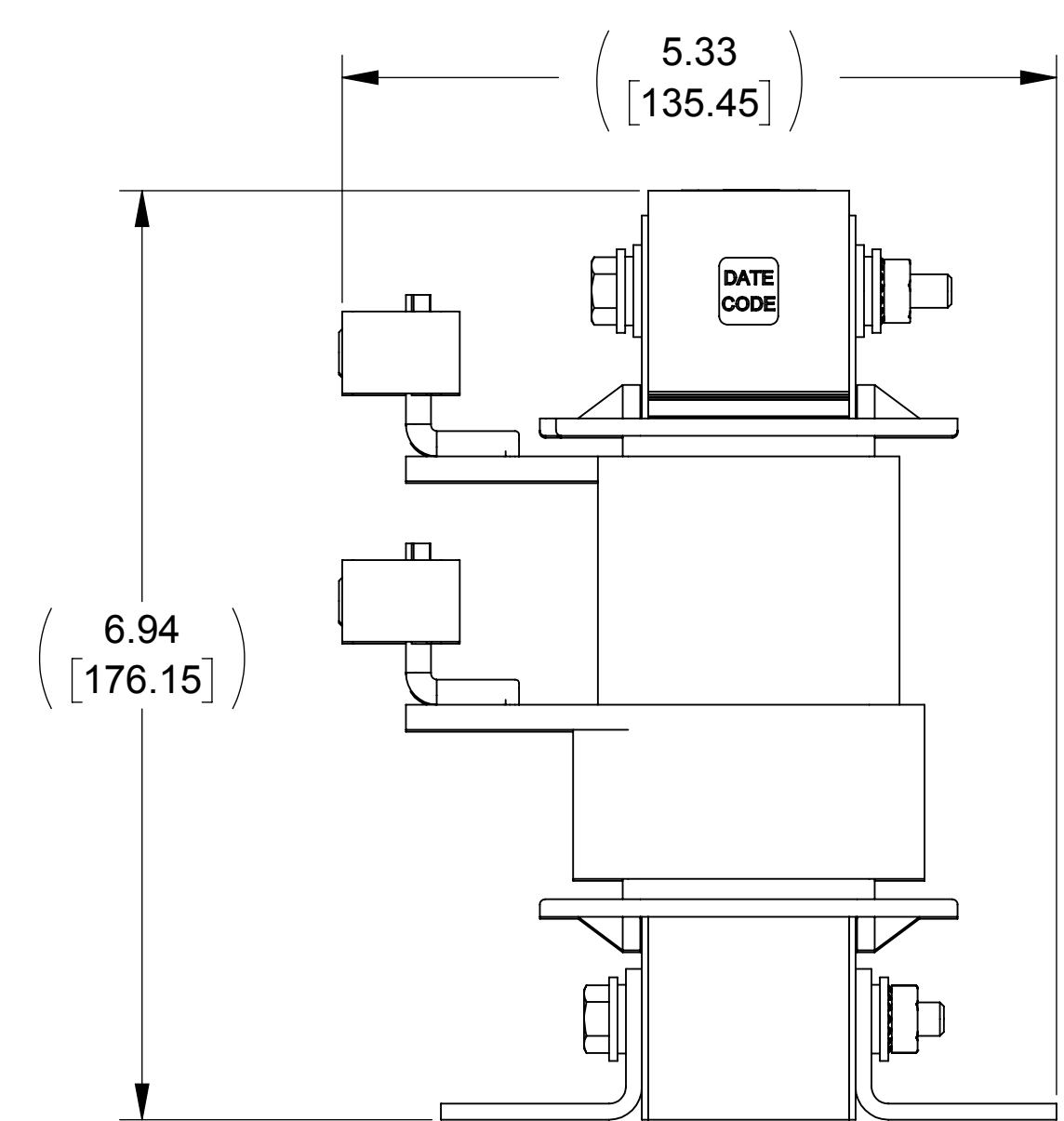
TOP VIEW



BOTTOM VIEW




FRONT VIEW



SIDE VIEW

NOTES:

1. TERMINAL WIRE RANGE: 6-0 AWG
2. TERMINAL SCREW TORQUE: 6-4 (45 IN-LBS)  
2-0 (50 IN-LBS)
3. REFER TO USER MANUAL FOR COMPLETE INSTALLATION INSTRUCTIONS.

THE COMPONENT, PART OR ASSEMBLY DESCRIBED IN THIS DOCUMENT MUST COMPLY WITH THE EU (EUROPEAN UNION) DIRECTIVE RoHS2 CONTAINS <0.1% OF ANY SVHC BY WEIGHT PER REACH REGULATION		MATERIAL		CONFIDENTIAL AND PROPRIETARY INFORMATION THIS DOCUMENT CONTAINS CONFIDENTIAL AND PROPRIETARY INFORMATION OF MTE CORPORATION AND MAY NOT BE USED, COPIED OR DISCLOSED TO OTHERS EXCEPT WITH THE AUTHORIZED WRITTEN PERMISSION OF MTE CORPORATION	
UNLESS OTHERWISE SPECIFIED DIMENSIONS ARE IN INCHES [MM] TOLERANCES ARE: ANGLES: ± 1 ° 1 PLACE .X: ± .1 [2.5] 2 PLACE .XX: ± .03 [0.76] 3 PLACE .XXX: ± .010 [0.254]		 N83 W13330 Leon Road Menomonee Falls, WI 53051 USA 800.455.4683 262.253.8200		DESCRIPTION <b>LINE/LOAD REACTOR</b>	
DRAWN RD	DATE 4/27/94	CHECKED JD	DATE 04/08/19	SIZE D	DWG No. CD RL-05502
APPROVED AK	DATE 04/10/19	REV 20		SCALE 3:4	SHEET 1 OF 1