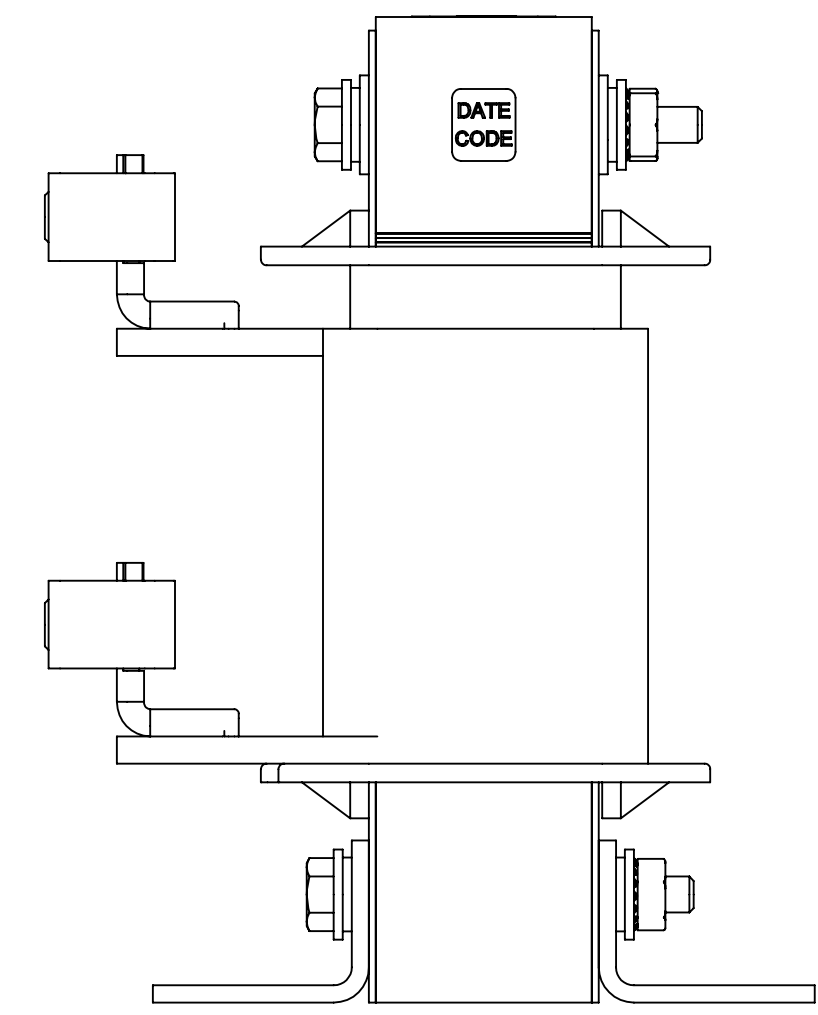
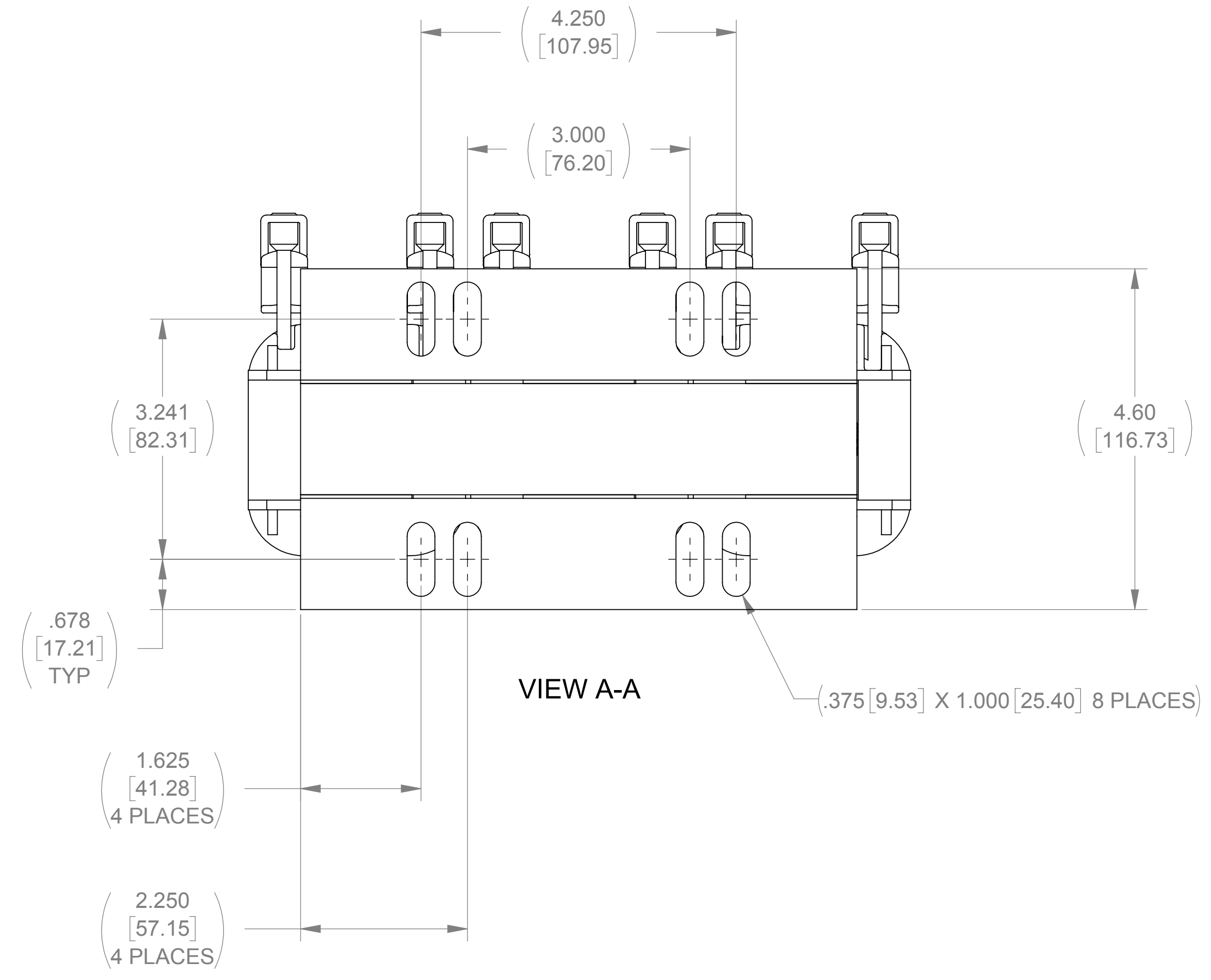
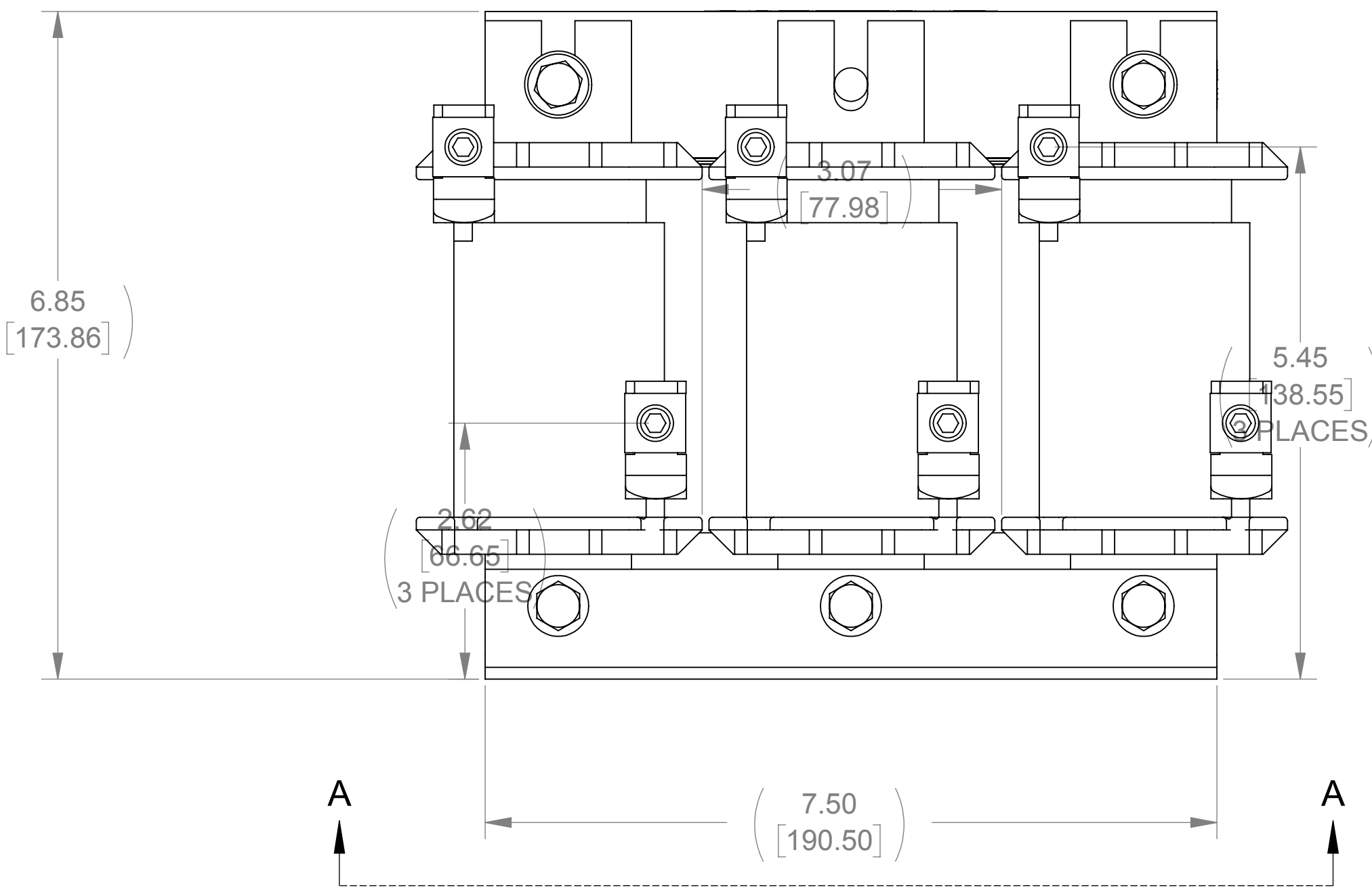
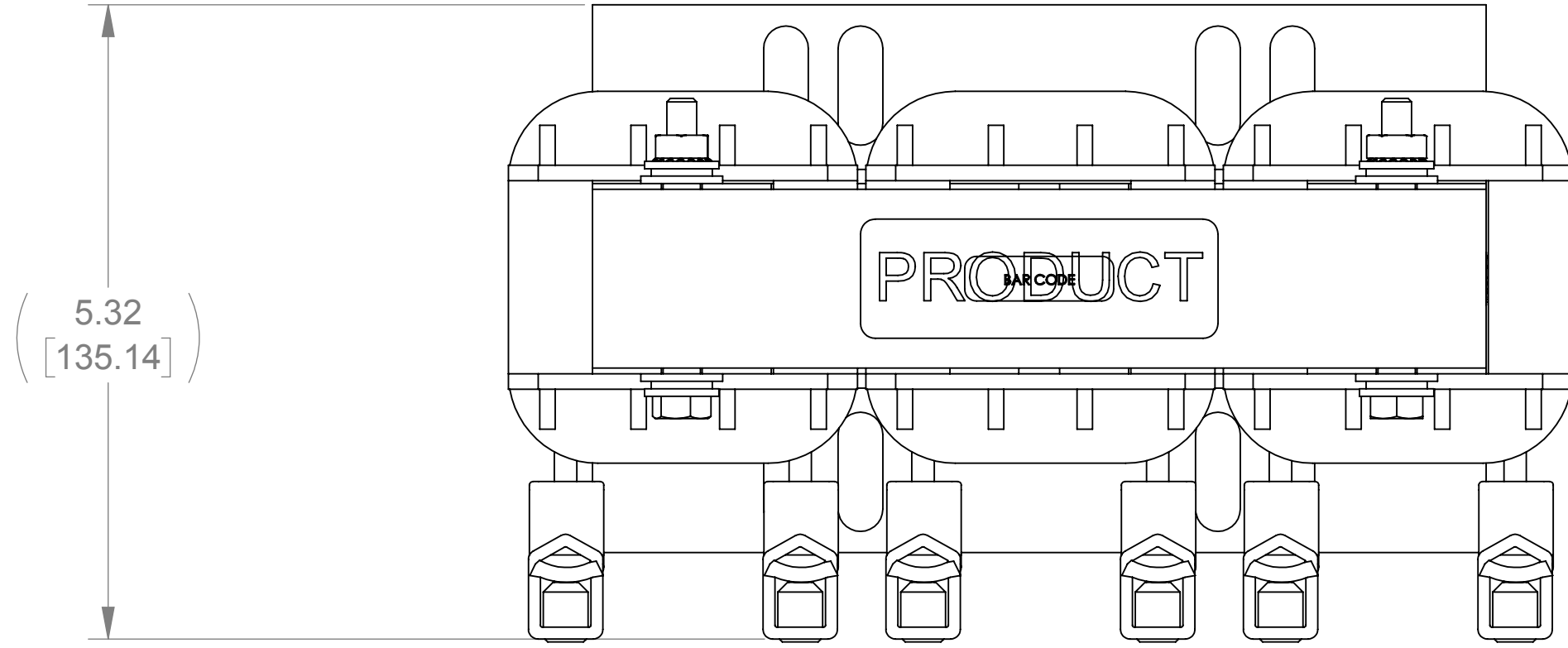


WEIGHT (LBS)	INDUCTANCE	LOSS (WATTS)
24	0.25 mH	64

ECO No	DESCRIPTION	REV BY	DATE
M8415	MODIFY DIMENSIONS TO CURRENT STANDARD	SU	02/25/13



- NOTES:
1. TERMINAL SCREW TORQUE:
6-4 (45 IN-LBS MAX)
2-0 (50 IN-LBS MAX)
 2. WIRE RANGE: 6-0 AWG

<p>THE COMPONENT, PART OR ASSEMBLY DESCRIBED IN THIS DOCUMENT MUST COMPLY WITH THE EU (EUROPEAN UNION) DIRECTIVE RoHS</p> <p>CONTAINS <0.1% OF ANY SVHC BY WEIGHT PER REACH REGULATION</p>		<p>MATERIAL</p>	<p>CONFIDENTIAL AND PROPRIETARY INFORMATION THIS DOCUMENT CONTAINS CONFIDENTIAL AND PROPRIETARY INFORMATION OF MTE CORPORATION AND MAY NOT BE USED, COPIED OR DISCLOSED TO OTHERS EXCEPT WITH THE AUTHORIZED WRITTEN PERMISSION OF MTE CORPORATION</p>																			
<p>UNLESS OTHERWISE SPECIFIED DIMENSIONS ARE IN INCHES [MM] TOLERANCES ARE:</p> <p>ANGLES: ± 1°</p> <p>1 PLACE .X: ± .1 [2.5]</p> <p>2 PLACE .XX: ± .03 [0.76]</p> <p>3 PLACE .XXX: ± .010 [0.254]</p>			<p>DESCRIPTION</p> <p>LINE/LOAD REACTOR</p>																			
<p>MTE AN BL POWER ELECTRONICS COMPANY</p> <p>N83 W13330 Leon Road Menomonee Falls, WI 53051 USA 800.455.4683 262.253.8200</p>		<table border="1"> <tr> <td>DRAWN</td> <td>DATE</td> </tr> <tr> <td>BGS</td> <td>4/8/04</td> </tr> <tr> <td>CHECKED</td> <td>DATE</td> </tr> <tr> <td>TM</td> <td>03/19/13</td> </tr> <tr> <td>APPROVED</td> <td>DATE</td> </tr> <tr> <td>TM</td> <td>03/19/13</td> </tr> </table>	DRAWN	DATE	BGS	4/8/04	CHECKED	DATE	TM	03/19/13	APPROVED	DATE	TM	03/19/13	<table border="1"> <tr> <td>SIZE</td> <td>DWG No.</td> <td>REV</td> </tr> <tr> <td>D</td> <td>CD RL-05501</td> <td>16</td> </tr> </table>	SIZE	DWG No.	REV	D	CD RL-05501	16	<p>SCALE 1:2</p> <p>SHEET 1 OF 1</p>
DRAWN	DATE																					
BGS	4/8/04																					
CHECKED	DATE																					
TM	03/19/13																					
APPROVED	DATE																					
TM	03/19/13																					
SIZE	DWG No.	REV																				
D	CD RL-05501	16																				