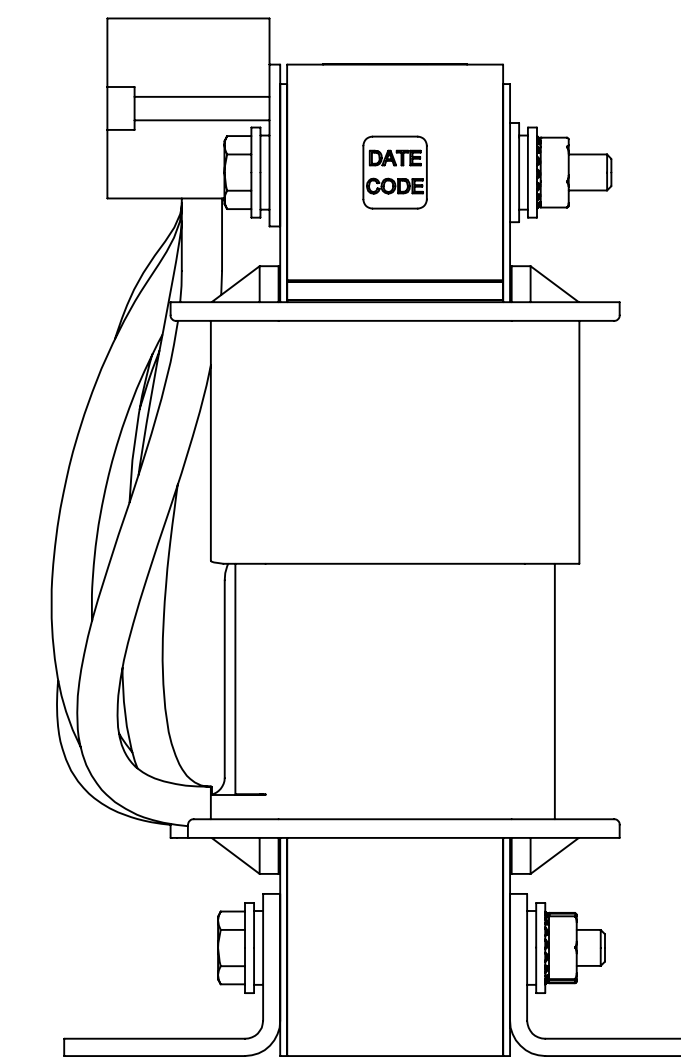
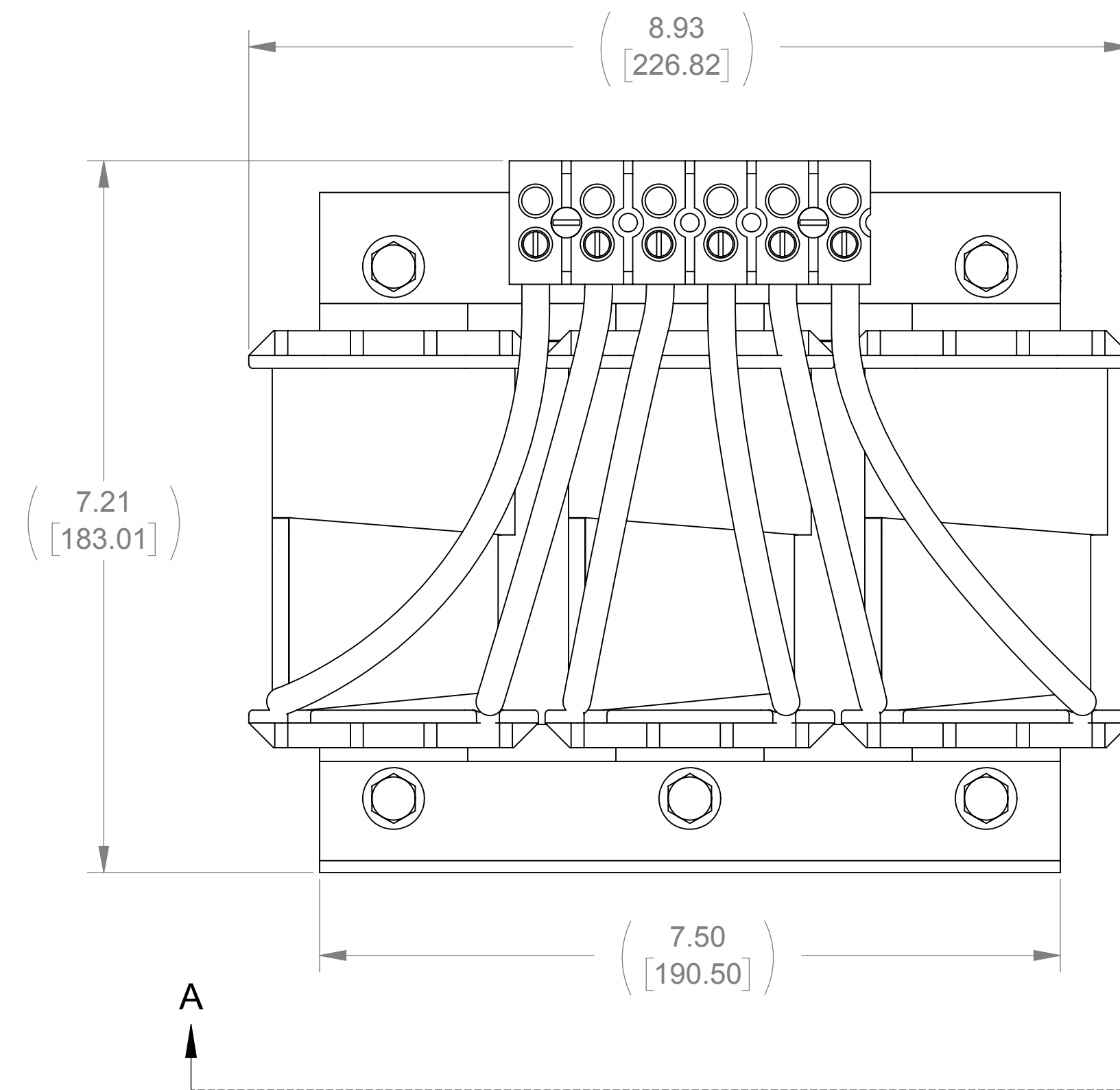
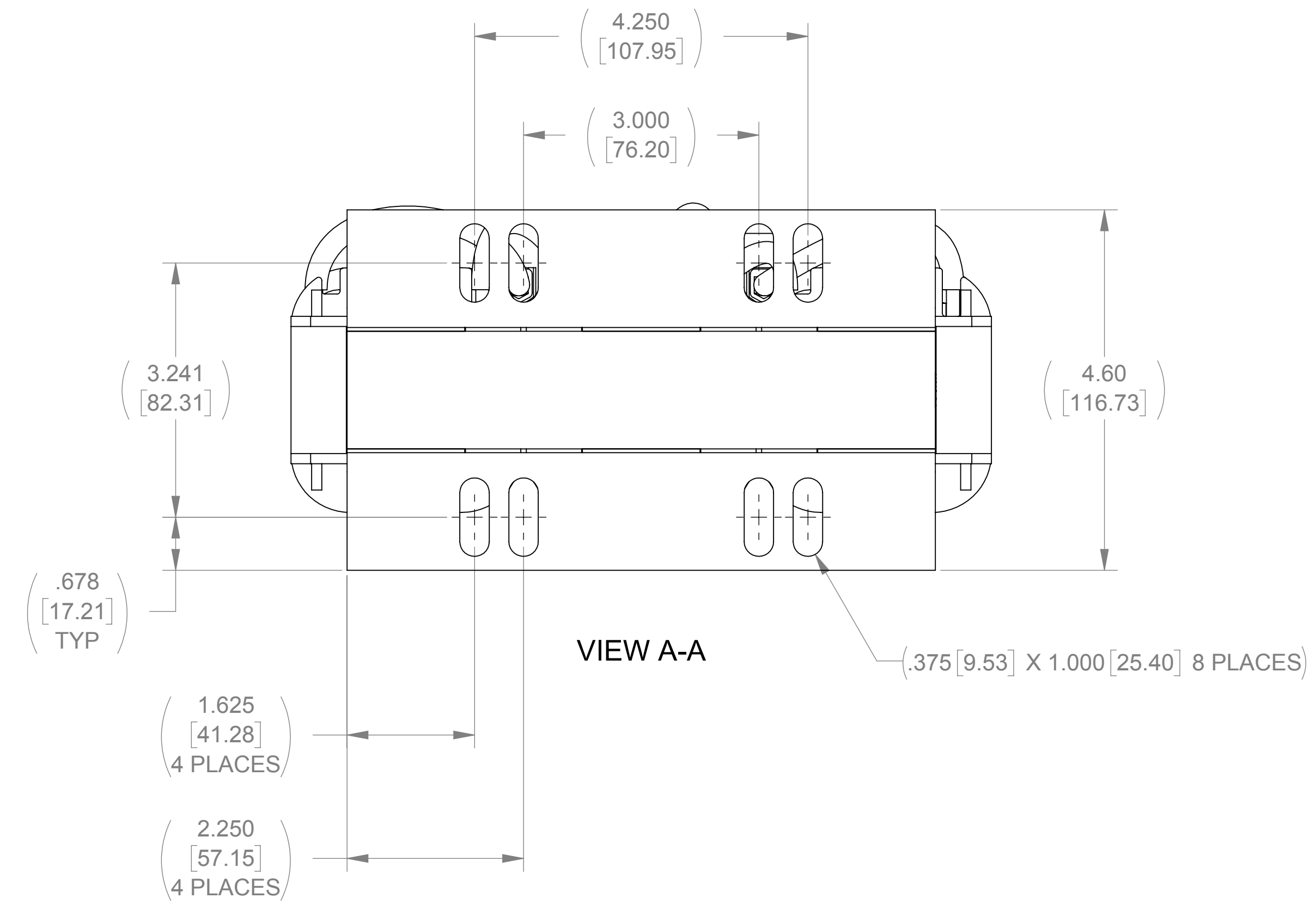
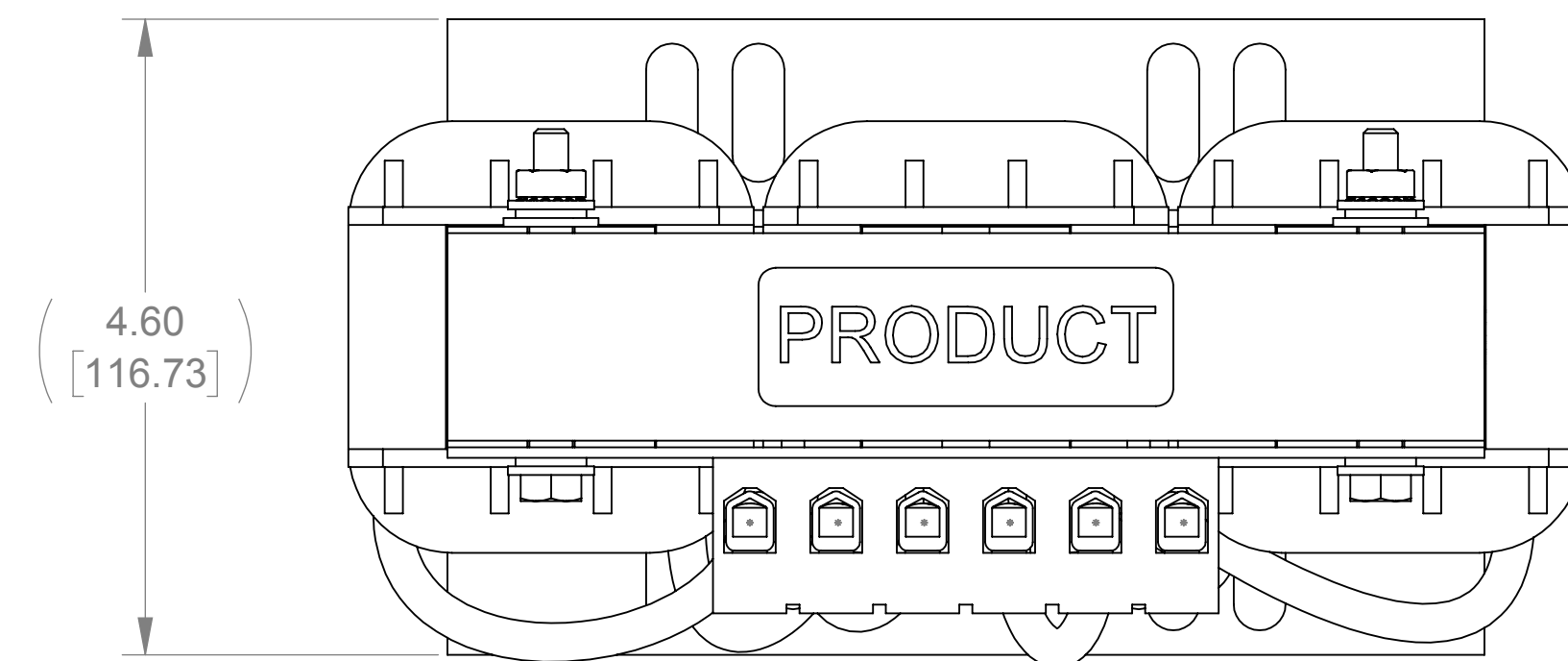


WEIGHT (LBS)	INDUCTANCE	LOSS (WATTS)
26	0.7 mH	62

ECO No	DESCRIPTION	REV BY	DATE
M11697	CHANGED COILS TO NEW DESIGN	BD	05/10/19



- NOTES:
 1. TERMINAL SCREW TORQUE 16 IN-LBS
 2. WIRE RANGE: 18-4 AWG

THE COMPONENT, PART OR ASSEMBLY DESCRIBED IN THIS DOCUMENT MUST COMPLY WITH THE EU (EUROPEAN UNION) DIRECTIVE RoHS2 CONTAINS <0.1% OF ANY SVHC BY WEIGHT PER REACH REGULATION		MATERIAL		CONFIDENTIAL AND PROPRIETARY INFORMATION THIS DOCUMENT CONTAINS CONFIDENTIAL AND PROPRIETARY INFORMATION OF MTE CORPORATION AND MAY NOT BE USED, COPIED OR DISCLOSED TO OTHERS EXCEPT WITH THE AUTHORIZED WRITTEN PERMISSION OF MTE CORPORATION	
UNLESS OTHERWISE SPECIFIED DIMENSIONS ARE IN INCHES [MM] TOLERANCES ARE: ANGLES: ± 1° 1 PLACE .X: ± .1 [2.5] 2 PLACE .XX: ± .03 [0.76] 3 PLACE .XXX: ± .010 [0.254]		 N83 W13330 Leon Road Menomonee Falls, WI 53051 USA 800.455.4683 262.253.8200		DESCRIPTION LINE/LOAD REACTOR (45A 0.70mH)	
DRAWN BGS	DATE 4/6/04	CHECKED BD	DATE 05/10/19	SIZE D	DWG No. CD RL-04502
APPROVED AK	DATE 05/22/19	REV 18	SCALE 1:2	SHEET 1 OF 1	