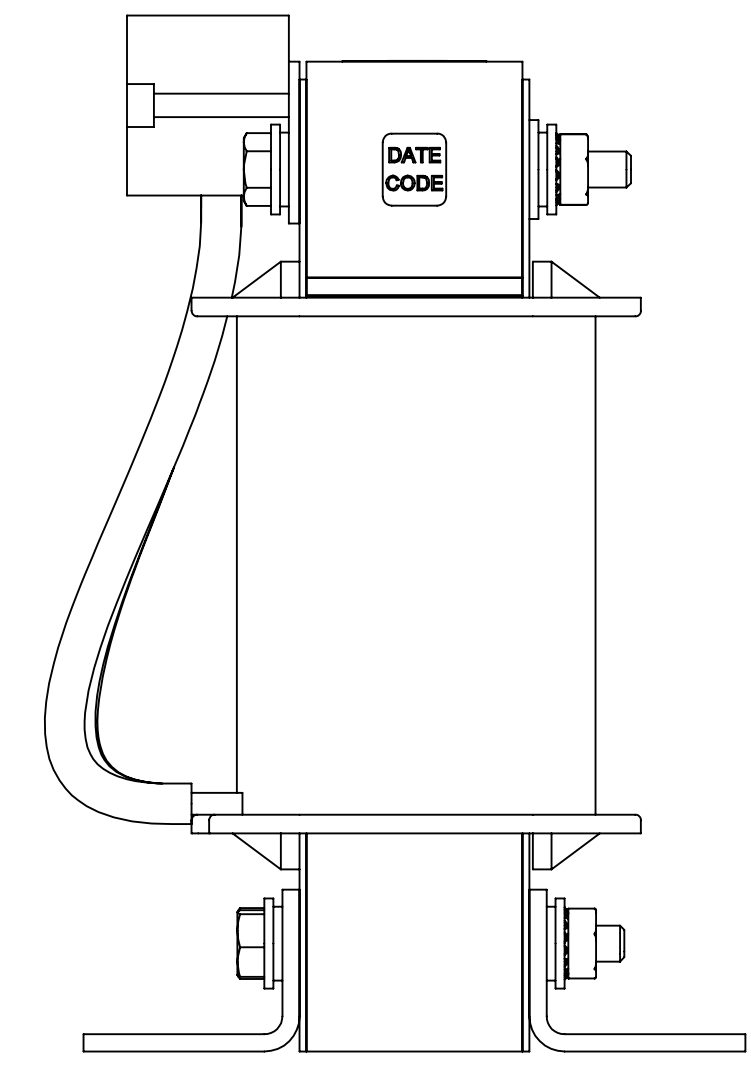
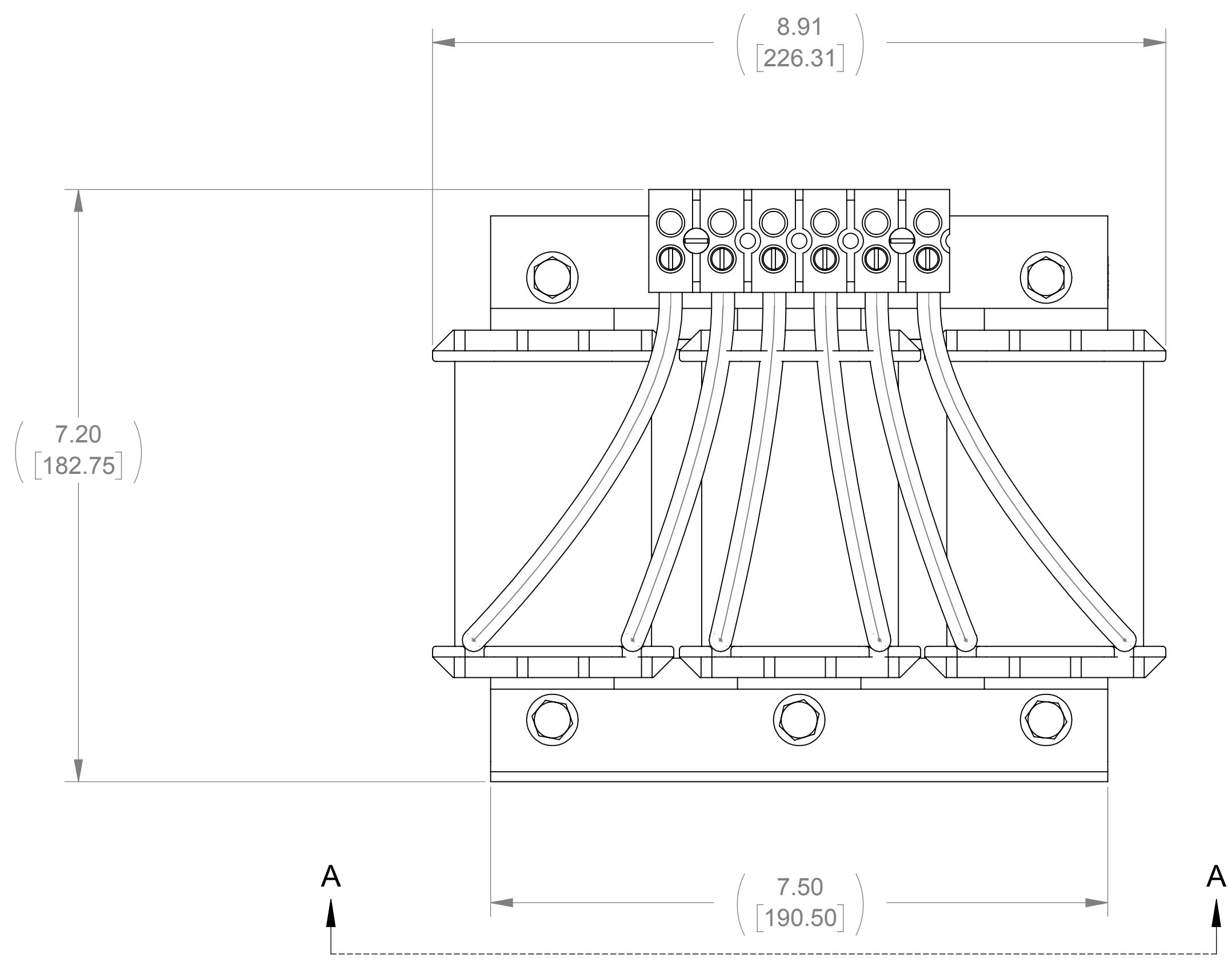
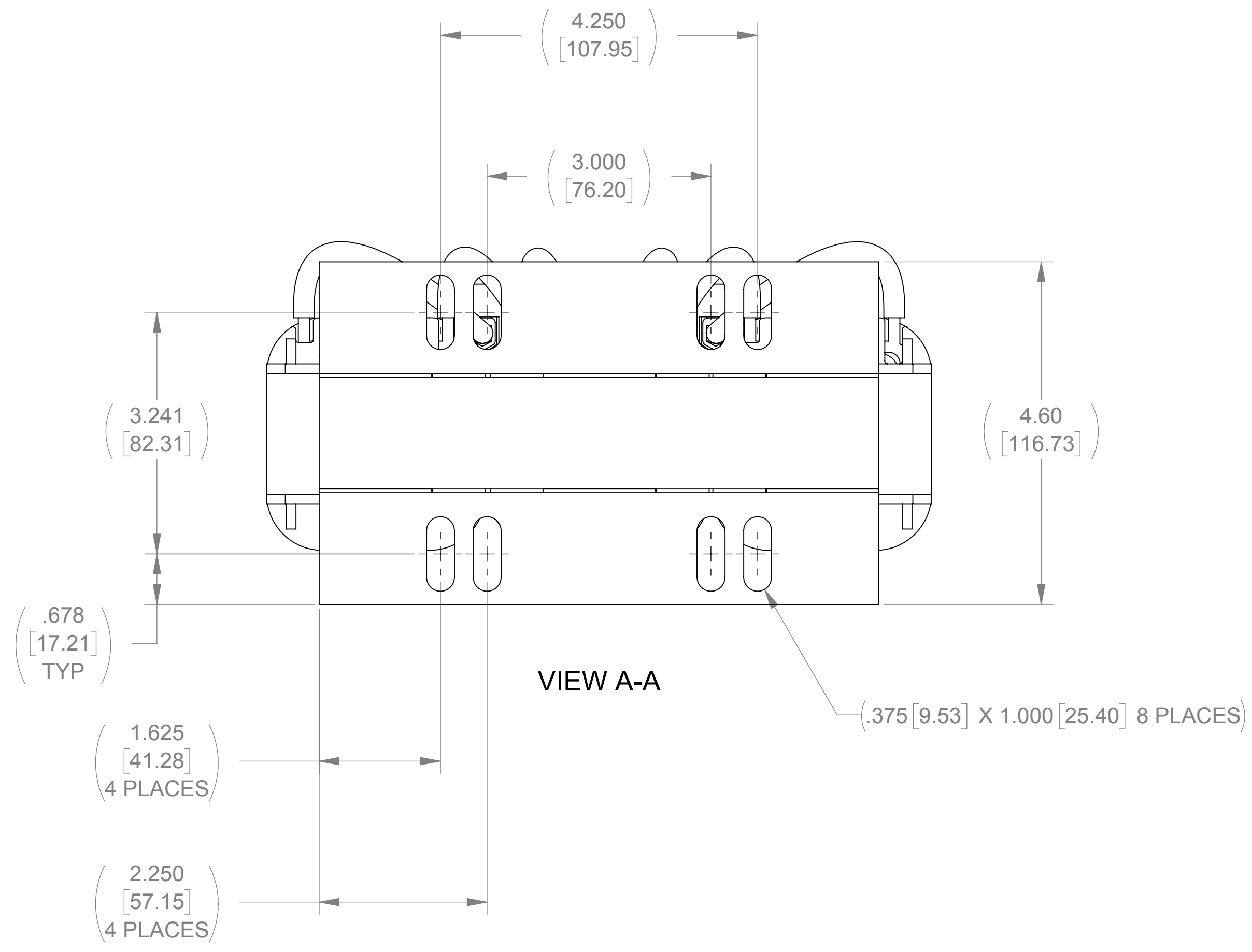
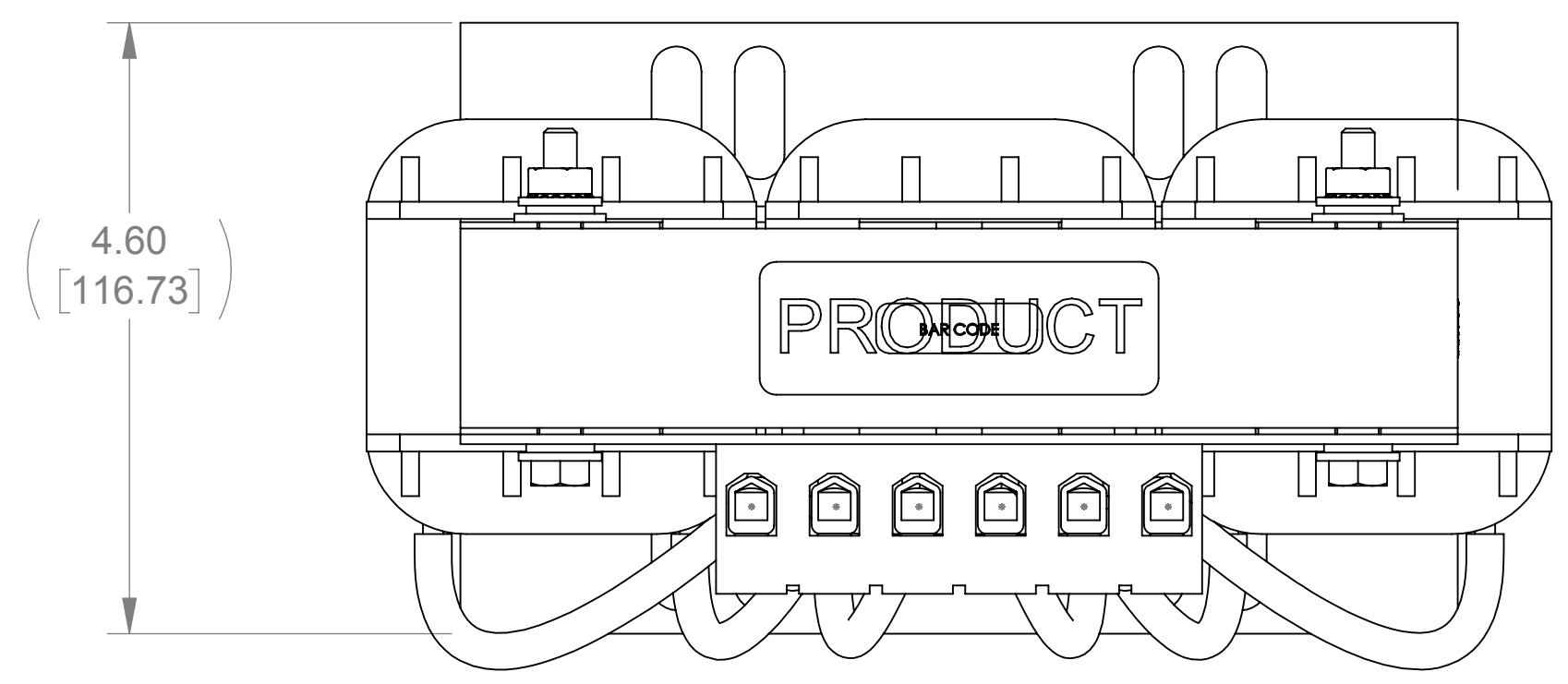


WEIGHT (LBS)	INDUCTANCE	LOSS (WATTS)
26	1.2 mH	54

ECO No	DESCRIPTION	REV BY	DATE
M8415	MODIFY DIMENSION TO CURRENT STANDARD	SU	02/25/13



- NOTES:  
 1. TERMINAL SCREW TORQUE 16 IN-LBS  
 2. WIRE RANGE: 18-4 AWG

THE COMPONENT, PART OR ASSEMBLY DESCRIBED IN THIS DOCUMENT MUST COMPLY WITH THE EU (EUROPEAN UNION) DIRECTIVE RoHS CONTAINS <0.1% OF ANY SVHC BY WEIGHT PER REACH REGULATION		<b>MATERIAL</b>  DRAWN BGS DATE 4/7/04 CHECKED TM DATE 03/19/13 APPROVED TM DATE 03/19/13	<b>CONFIDENTIAL AND PROPRIETARY INFORMATION</b> THIS DOCUMENT CONTAINS CONFIDENTIAL AND PROPRIETARY INFORMATION OF MTE CORPORATION AND MAY NOT BE USED, COPIED OR DISCLOSED TO OTHERS EXCEPT WITH THE AUTHORIZED WRITTEN PERMISSION OF MTE CORPORATION	
UNLESS OTHERWISE SPECIFIED DIMENSIONS ARE IN INCHES [MM] TOLERANCES ARE: ANGLES: ± 1° 1 PLACE .X: ± .1 [2.5] 2 PLACE .XX: ± .03 [0.76] 3 PLACE .XXX: ± .010 [0.254]			<b>DESCRIPTION</b> LINE/LOAD REACTOR	
<b>MTE</b> AN BL POWER ELECTRONICS COMPANY N83 W13330 Leon Road Menomonie Falls, WI 53051 USA 800.455.4683 262.253.8200		SIZE D SCALE 1:1	DWG No. CD RL-03503 REV 21	SHEET 1 OF 1