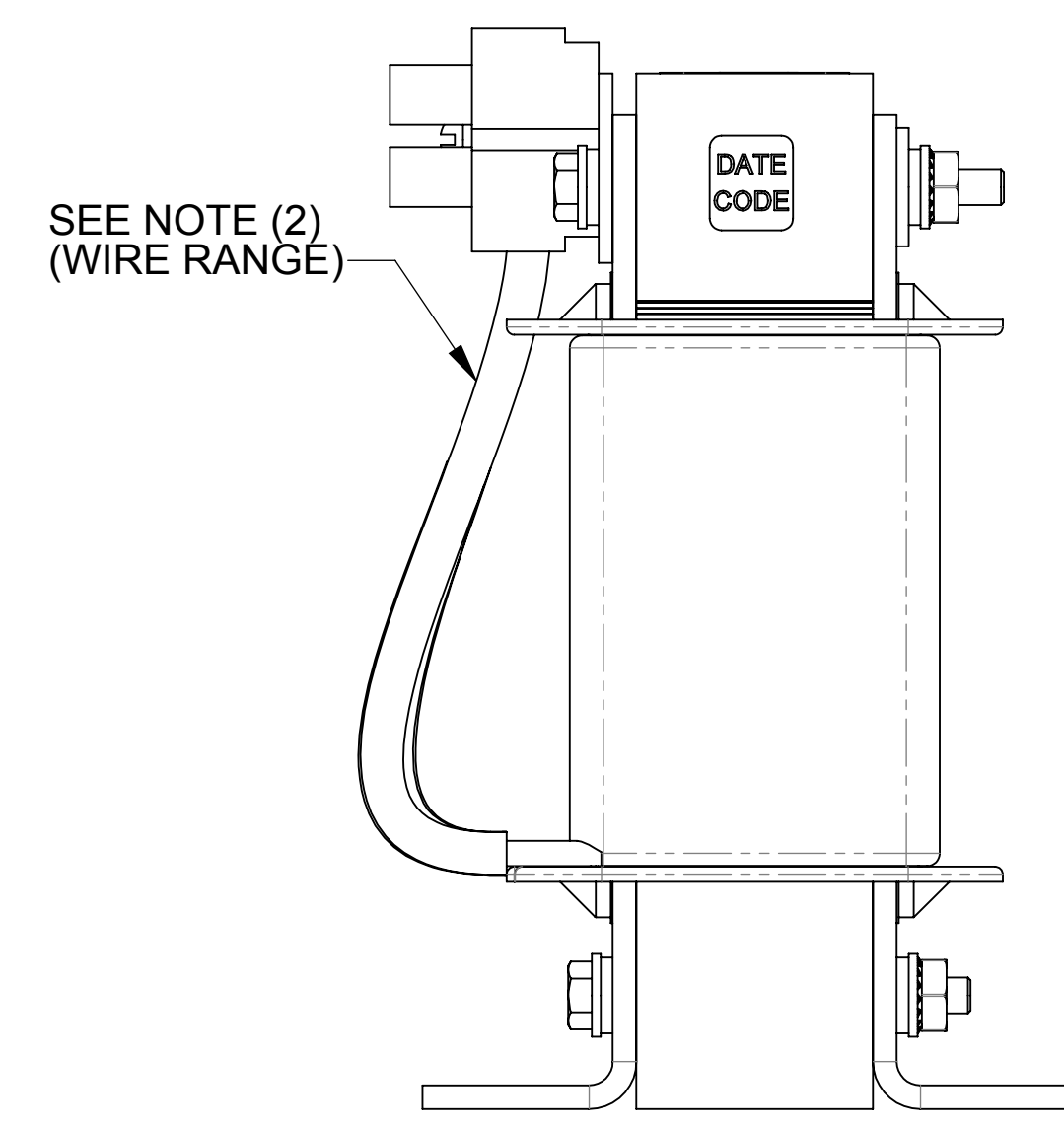
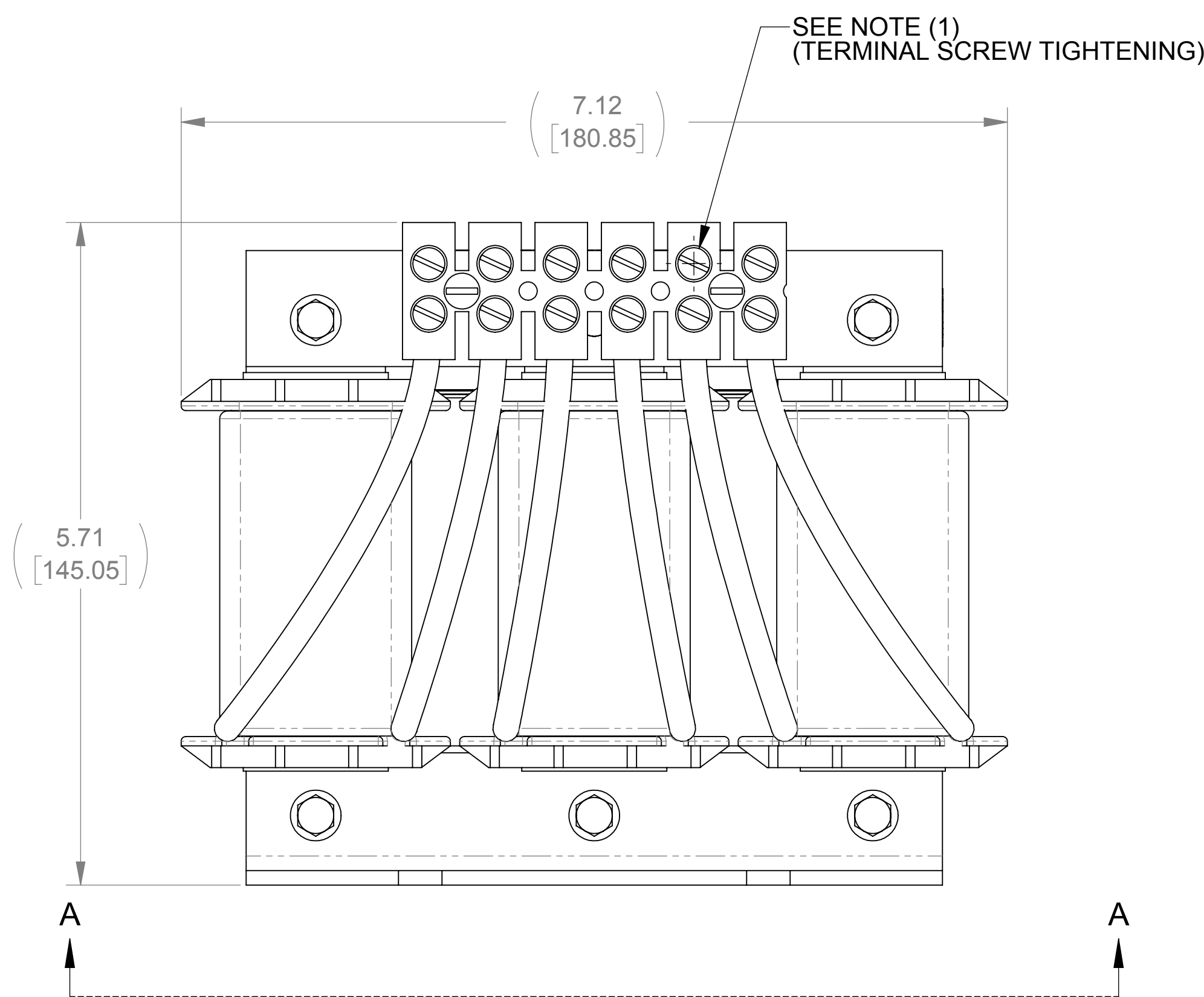
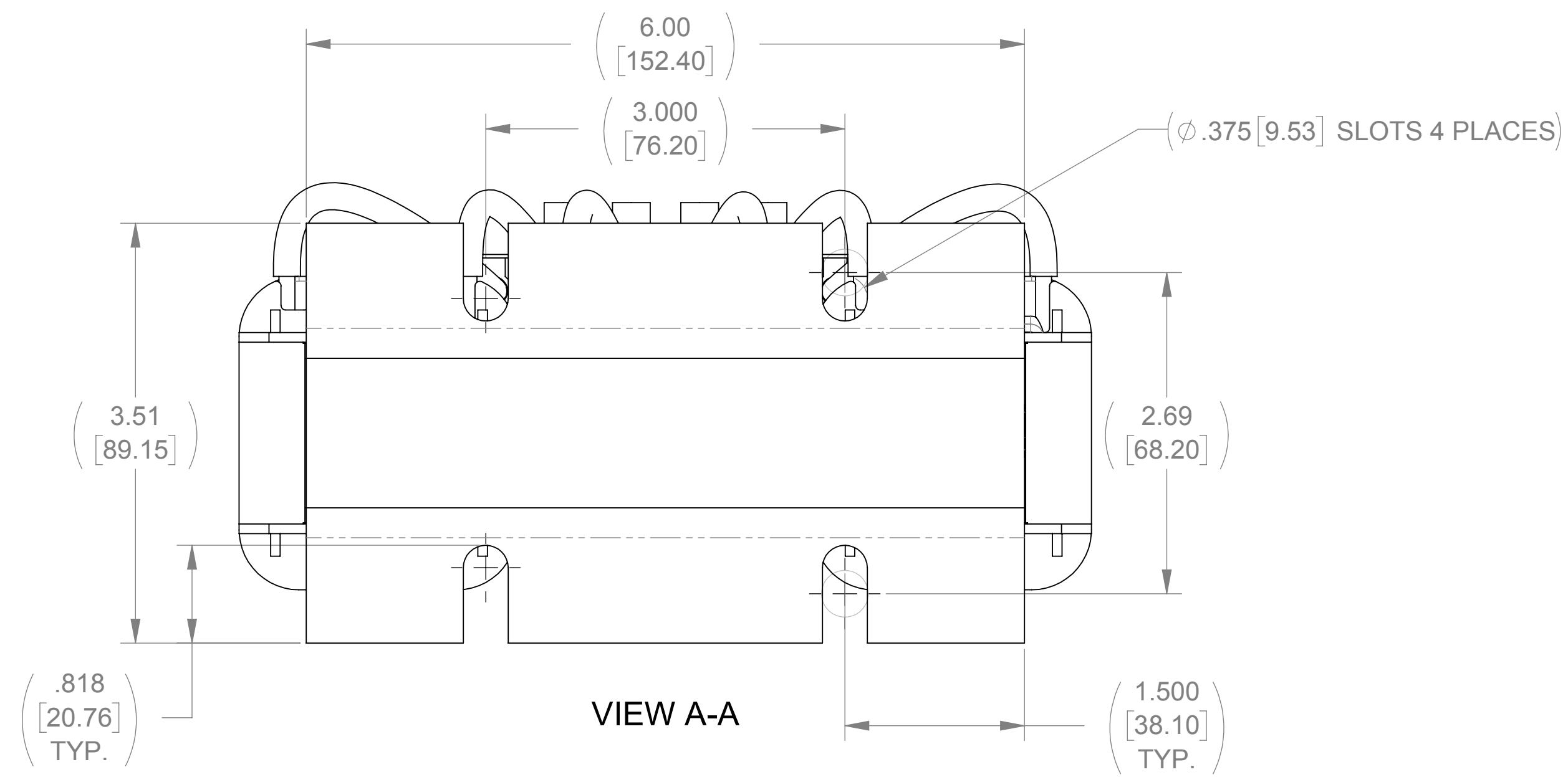
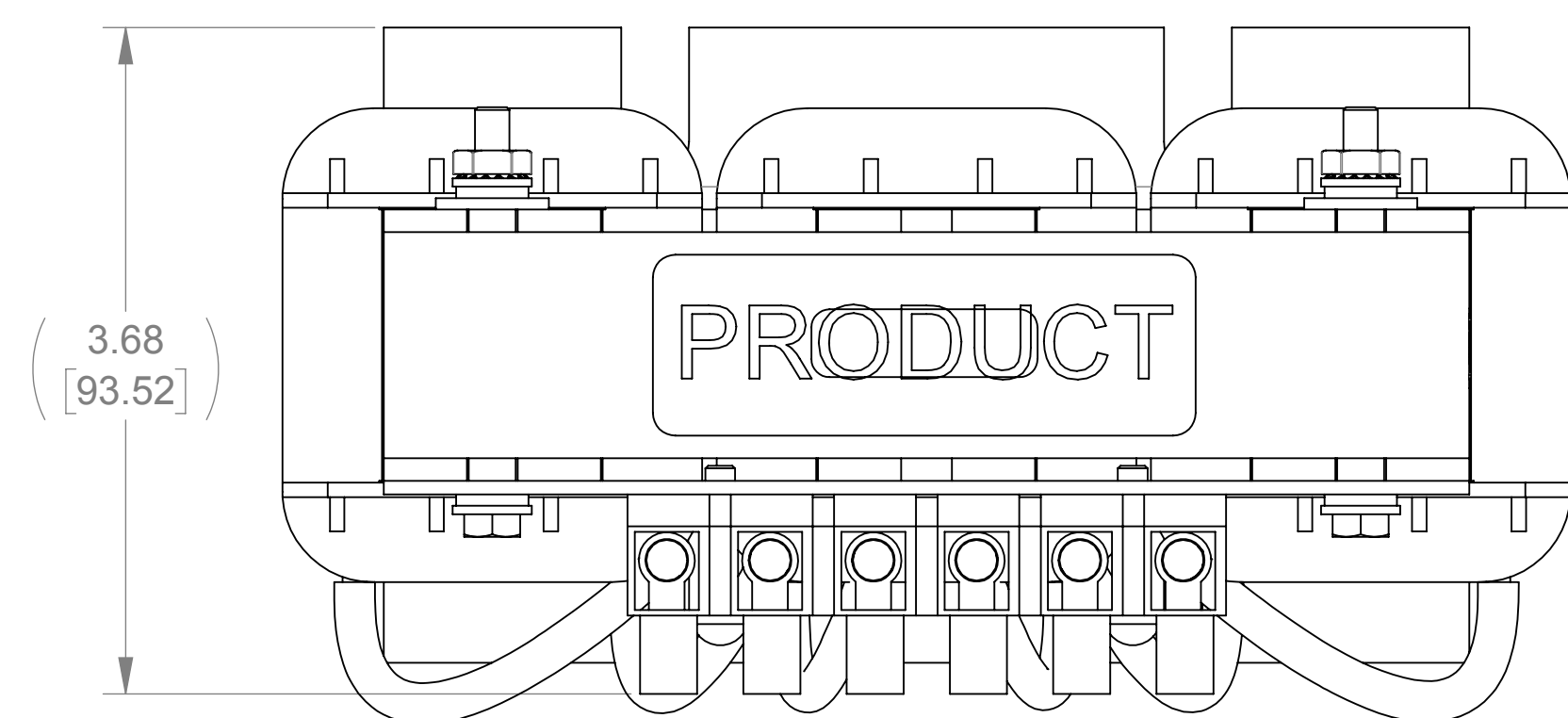


| | | |
|--------------|------------|--------------|
| WEIGHT (LBS) | INDUCTANCE | LOSS (WATTS) |
| 14 | 0.4 mH | 49 |

| | | | |
|--------|----------------------|--------|----------|
| ECO No | DESCRIPTION | REV BY | DATE |
| M8353 | REDRAW IN SOLIDWORKS | JP | 01/11/13 |



- NOTES:
1. TERMINAL SCREW TIGHTENING TORQUE: 16 in-lbs MAX
 2. WIRE RANGE: 14 - 4 AWG

| | | | | | | | | | | | | | | | | | | | | | | | | | | | | |
|--|--------------|--|---|-------|------|----|----------|---------|------|----|----------|----------|------|----|----------|---|------|---------|-----|---|-------------|----|-------|--------------|--|-----|--|--|
| <p>THE COMPONENT, PART OR ASSEMBLY DESCRIBED IN THIS DOCUMENT MUST COMPLY WITH THE EU (EUROPEAN UNION) DIRECTIVE RoHS</p> <p>CONTAINS <0.1% OF ANY SVHC BY WEIGHT PER REACH REGULATION</p> <p>UNLESS OTHERWISE SPECIFIED DIMENSIONS ARE IN INCHES [MM] TOLERANCES ARE:</p> <p>ANGLES: ± 1°</p> <p>1 PLACE .X: ± .1 [2.5]</p> <p>2 PLACE .XX: ± .03 [0.76]</p> <p>3 PLACE .XXX: ± .010 [0.254]</p> | | <p>MTE</p> <p>AN ILLINOIS POWER ELECTRONICS COMPANY</p> <p>N83 W13330 Leon Road Menomonee Falls, WI 53051 USA 800.455.4683 262.253.8200</p> | <table border="1"> <tr> <td>DRAWN</td> <td>DATE</td> </tr> <tr> <td>PB</td> <td>06/06/97</td> </tr> <tr> <td>CHECKED</td> <td>DATE</td> </tr> <tr> <td>TM</td> <td>01/17/13</td> </tr> <tr> <td>APPROVED</td> <td>DATE</td> </tr> <tr> <td>TM</td> <td>01/17/13</td> </tr> </table> | DRAWN | DATE | PB | 06/06/97 | CHECKED | DATE | TM | 01/17/13 | APPROVED | DATE | TM | 01/17/13 | <p>CONFIDENTIAL AND PROPRIETARY INFORMATION</p> <p>THIS DOCUMENT CONTAINS CONFIDENTIAL AND PROPRIETARY INFORMATION OF MTE CORPORATION AND MAY NOT BE USED, COPIED OR DISCLOSED TO OTHERS EXCEPT WITH THE AUTHORIZED WRITTEN PERMISSION OF MTE CORPORATION</p> <p>DESCRIPTION</p> <p>3 PHASE REACTOR</p> <table border="1"> <tr> <td>SIZE</td> <td>DWG No.</td> <td>REV</td> </tr> <tr> <td>D</td> <td>CD RL-03501</td> <td>12</td> </tr> <tr> <td>SCALE</td> <td colspan="2">SHEET 1 OF 1</td> </tr> <tr> <td>1:1</td> <td colspan="2"></td> </tr> </table> | SIZE | DWG No. | REV | D | CD RL-03501 | 12 | SCALE | SHEET 1 OF 1 | | 1:1 | | |
| DRAWN | DATE | | | | | | | | | | | | | | | | | | | | | | | | | | | |
| PB | 06/06/97 | | | | | | | | | | | | | | | | | | | | | | | | | | | |
| CHECKED | DATE | | | | | | | | | | | | | | | | | | | | | | | | | | | |
| TM | 01/17/13 | | | | | | | | | | | | | | | | | | | | | | | | | | | |
| APPROVED | DATE | | | | | | | | | | | | | | | | | | | | | | | | | | | |
| TM | 01/17/13 | | | | | | | | | | | | | | | | | | | | | | | | | | | |
| SIZE | DWG No. | REV | | | | | | | | | | | | | | | | | | | | | | | | | | |
| D | CD RL-03501 | 12 | | | | | | | | | | | | | | | | | | | | | | | | | | |
| SCALE | SHEET 1 OF 1 | | | | | | | | | | | | | | | | | | | | | | | | | | | |
| 1:1 | | | | | | | | | | | | | | | | | | | | | | | | | | | | |