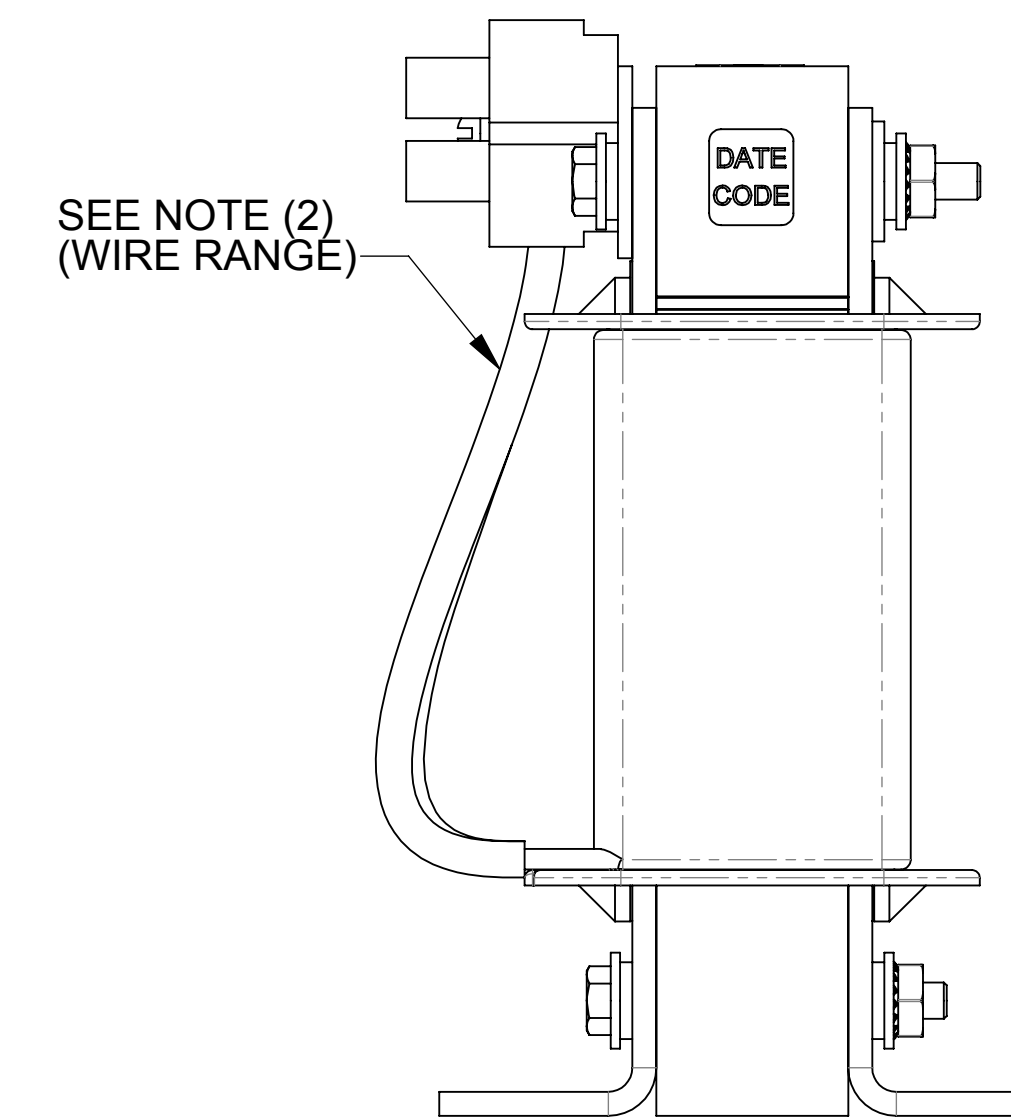
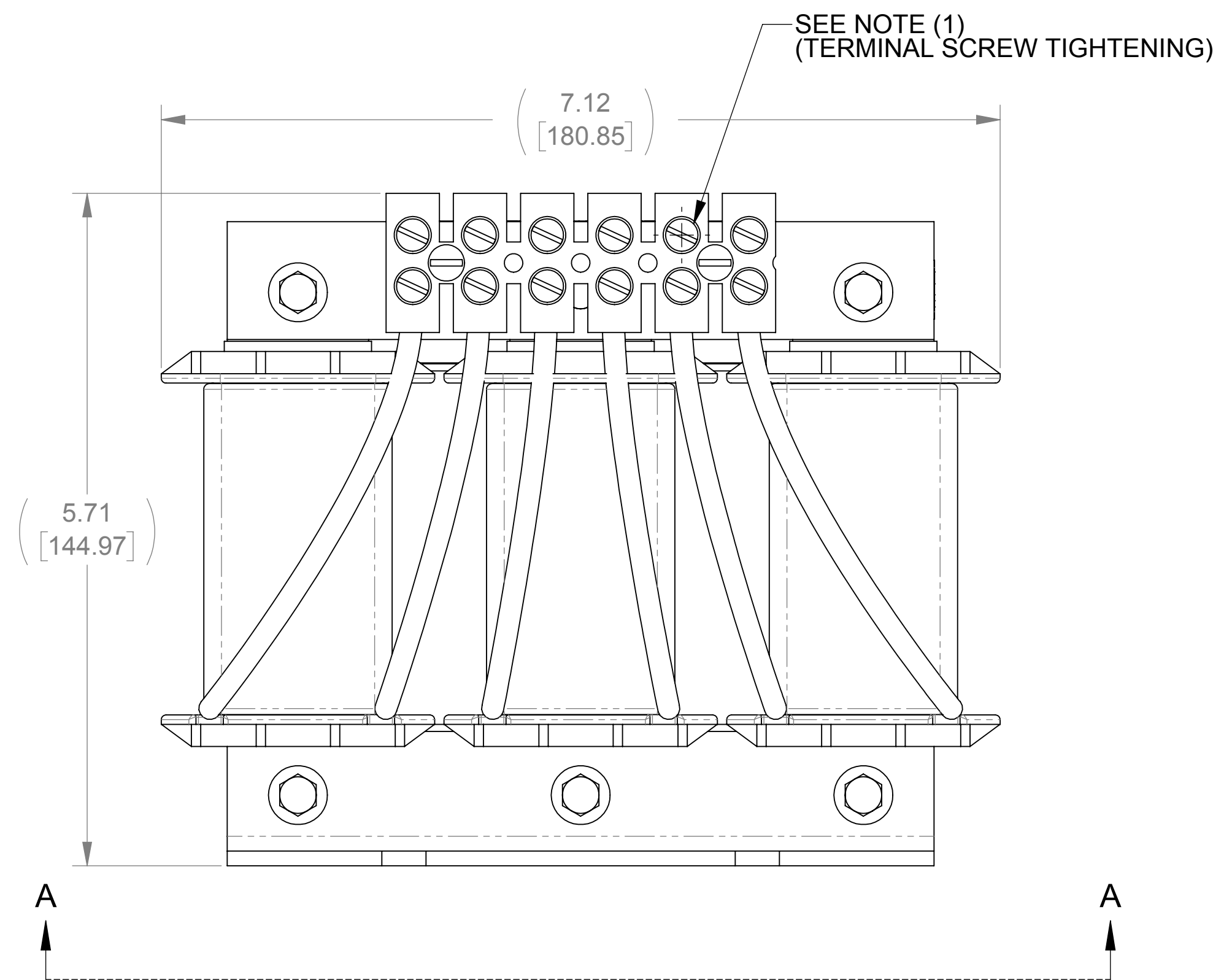
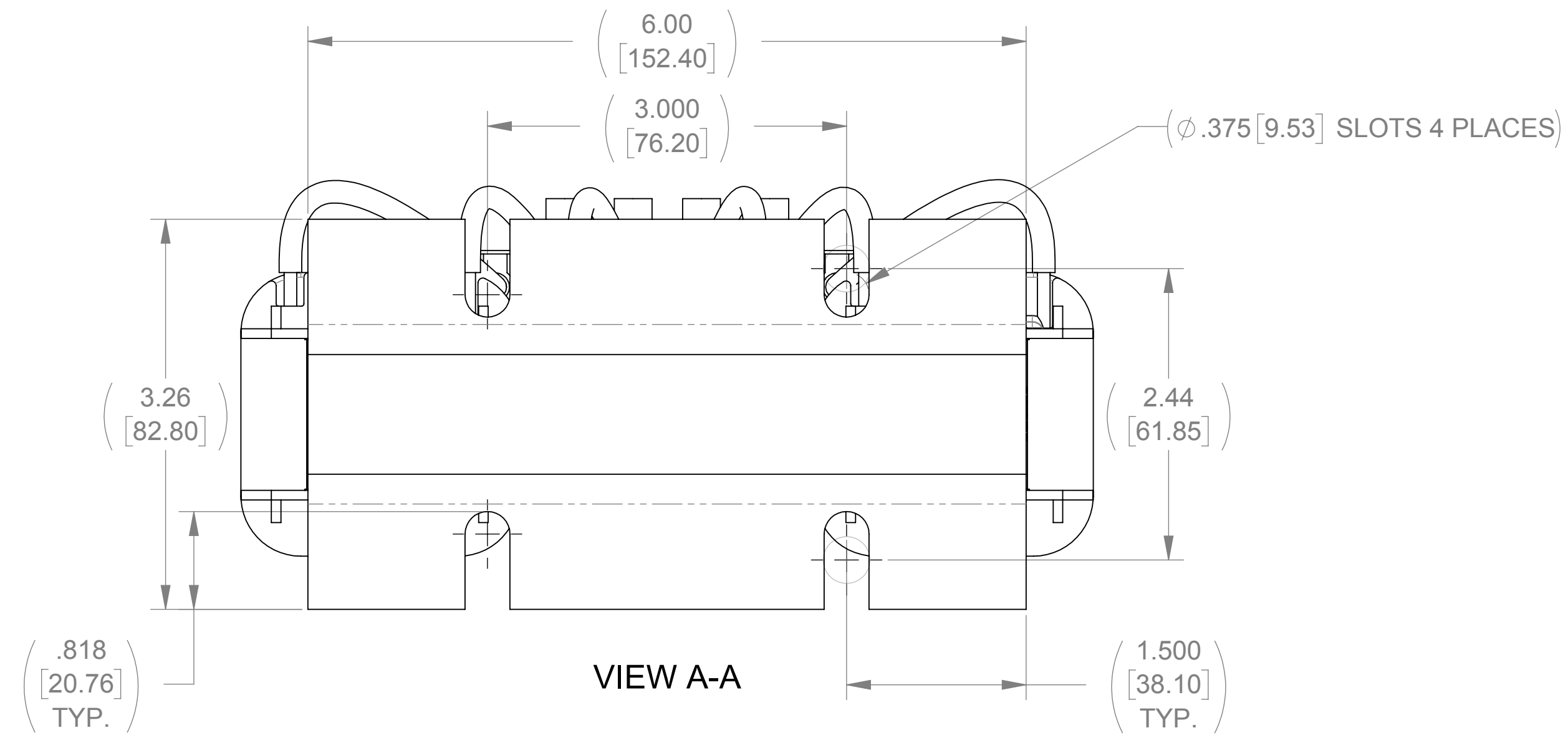
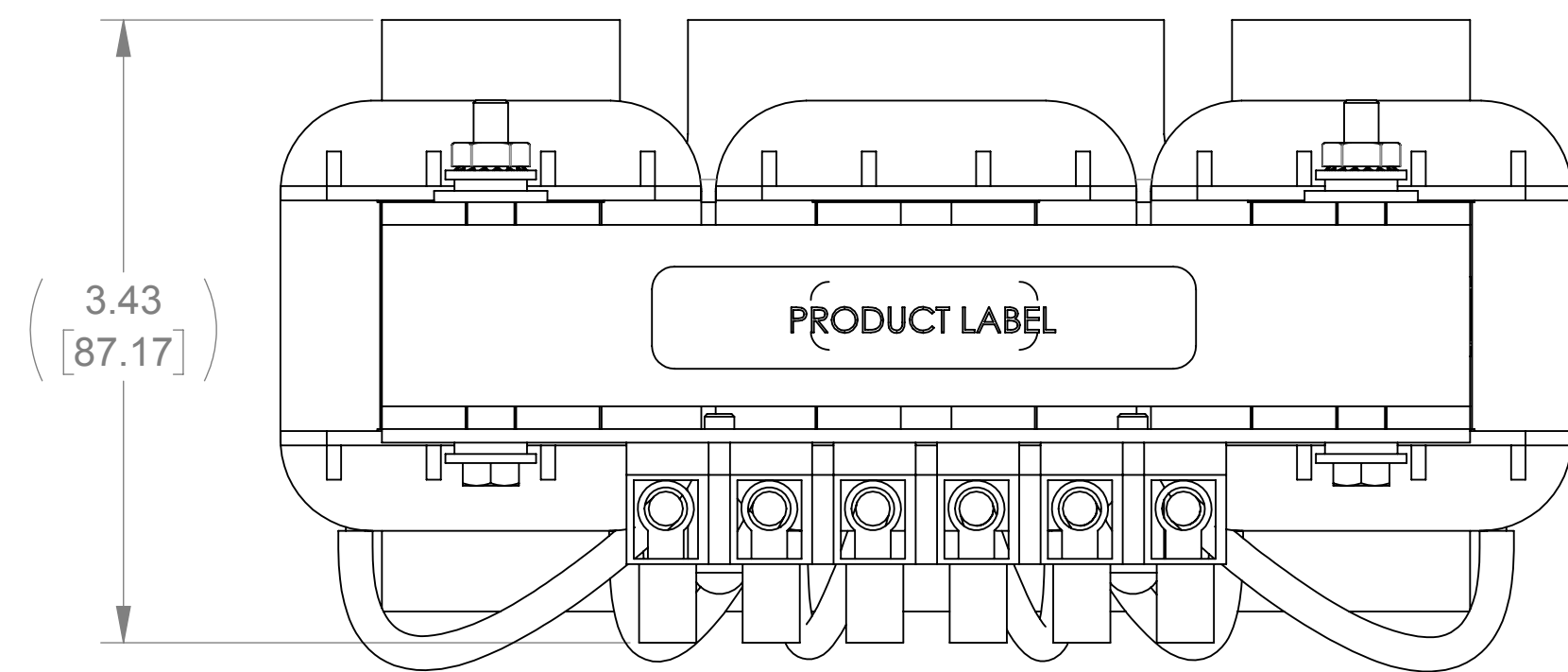


WEIGHT (LBS)	INDUCTANCE	LOSS (WATTS)
11	0.5 mH	48

ECO No	DESCRIPTION	REV BY	DATE
M8353	REDRAW IN SOLIDWORKS	JP	01/11/13



NOTES:

1. TERMINAL SCREW TIGHTENING TORQUE: 16 in-lbs MAX
2. WIRE RANGE: 14 - 4 AWG

<p>THE COMPONENT, PART OR ASSEMBLY DESCRIBED IN THIS DOCUMENT MUST COMPLY WITH THE EU (EUROPEAN UNION) DIRECTIVE RoHS</p> <p>CONTAINS <0.1% OF ANY SVHC BY WEIGHT PER REACH REGULATION</p> <p>UNLESS OTHERWISE SPECIFIED DIMENSIONS ARE IN INCHES [MM] TOLERANCES ARE:</p> <p>ANGLES: ± 1°</p> <p>1 PLACE .X: ± .1 [2.5]</p> <p>2 PLACE .XX: ± .03 [0.76]</p> <p>3 PLACE .XXX: ± .010 [0.254]</p>		<p>MATERIAL</p>	<p>CONFIDENTIAL AND PROPRIETARY INFORMATION</p> <p>THIS DOCUMENT CONTAINS CONFIDENTIAL AND PROPRIETARY INFORMATION OF MTE CORPORATION AND MAY NOT BE USED, COPIED OR DISCLOSED TO OTHERS EXCEPT WITH THE AUTHORIZED WRITTEN PERMISSION OF MTE CORPORATION</p>												
<p>MTE</p> <p>AN BL POWER ELECTRONICS COMPANY</p> <p>N83 W13330 Leon Road Menomonee Falls, WI 53051 USA 800.455.4683 262.253.8200</p>		<table border="1"> <tr> <td>DRAWN</td> <td>DATE</td> </tr> <tr> <td>SJW</td> <td>01/03/90</td> </tr> <tr> <td>CHECKED</td> <td>DATE</td> </tr> <tr> <td>TM</td> <td>01/17/13</td> </tr> <tr> <td>APPROVED</td> <td>DATE</td> </tr> <tr> <td>TM</td> <td>01/17/13</td> </tr> </table>	DRAWN	DATE	SJW	01/03/90	CHECKED	DATE	TM	01/17/13	APPROVED	DATE	TM	01/17/13	<p>DESCRIPTION</p> <p>3 PHASE REACTOR</p>
DRAWN	DATE														
SJW	01/03/90														
CHECKED	DATE														
TM	01/17/13														
APPROVED	DATE														
TM	01/17/13														
		<table border="1"> <tr> <td>SIZE</td> <td>DWG No.</td> <td>REV</td> </tr> <tr> <td>D</td> <td>CD RL-02501</td> <td>12</td> </tr> </table>	SIZE	DWG No.	REV	D	CD RL-02501	12							
SIZE	DWG No.	REV													
D	CD RL-02501	12													
		<table border="1"> <tr> <td>SCALE</td> <td>1:1</td> <td>SHEET 1 OF 1</td> </tr> </table>	SCALE	1:1	SHEET 1 OF 1										
SCALE	1:1	SHEET 1 OF 1													