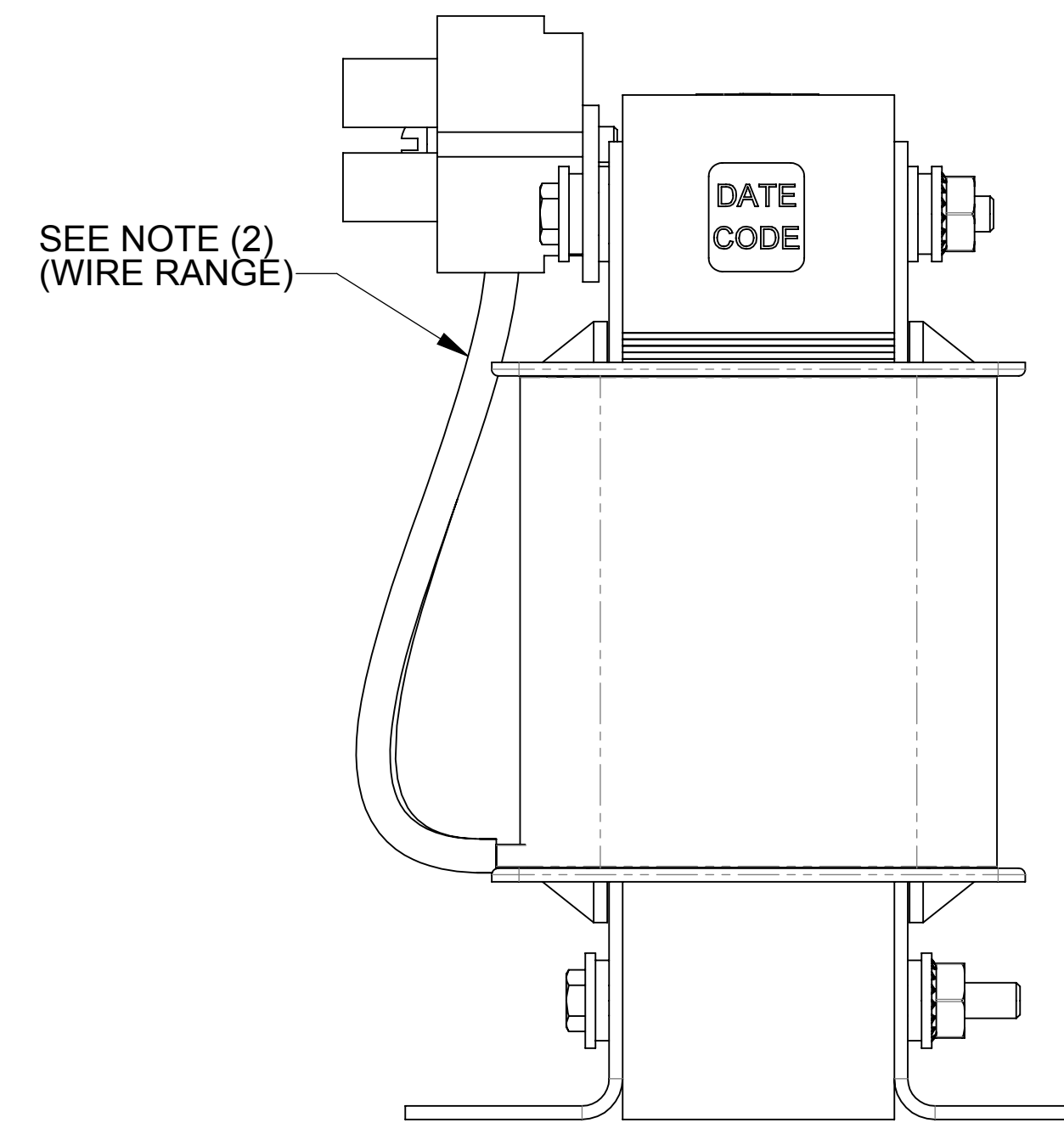
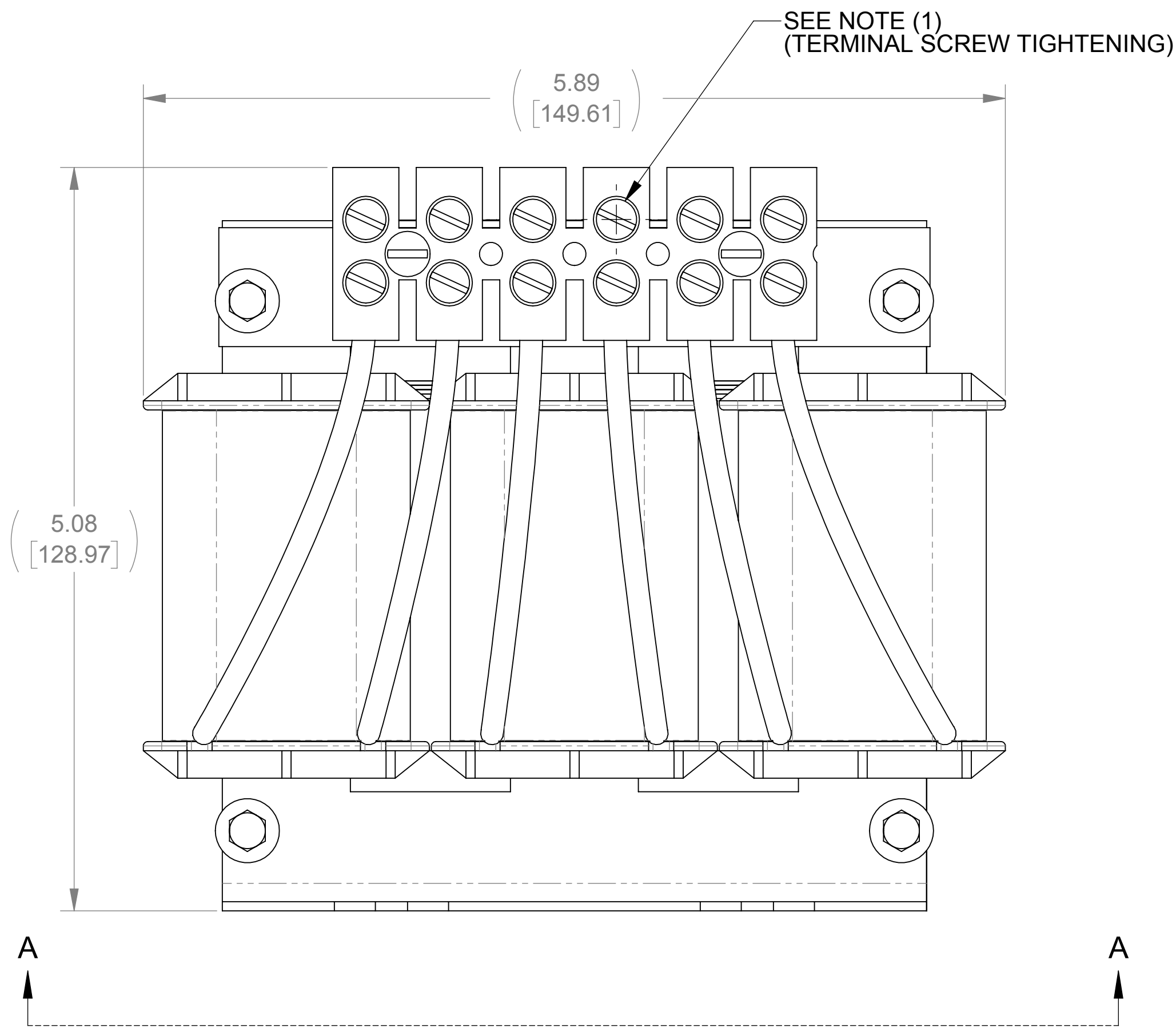
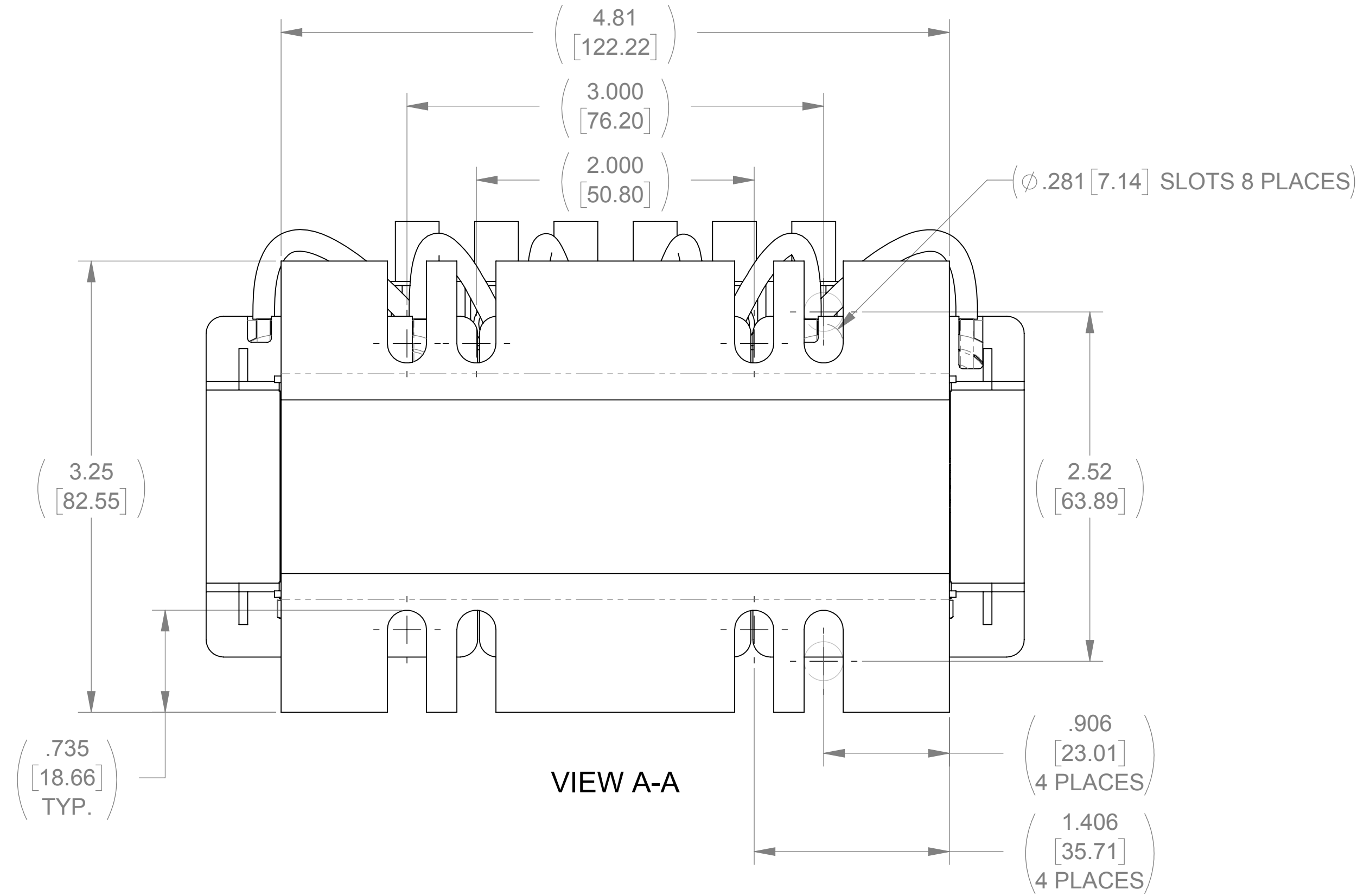
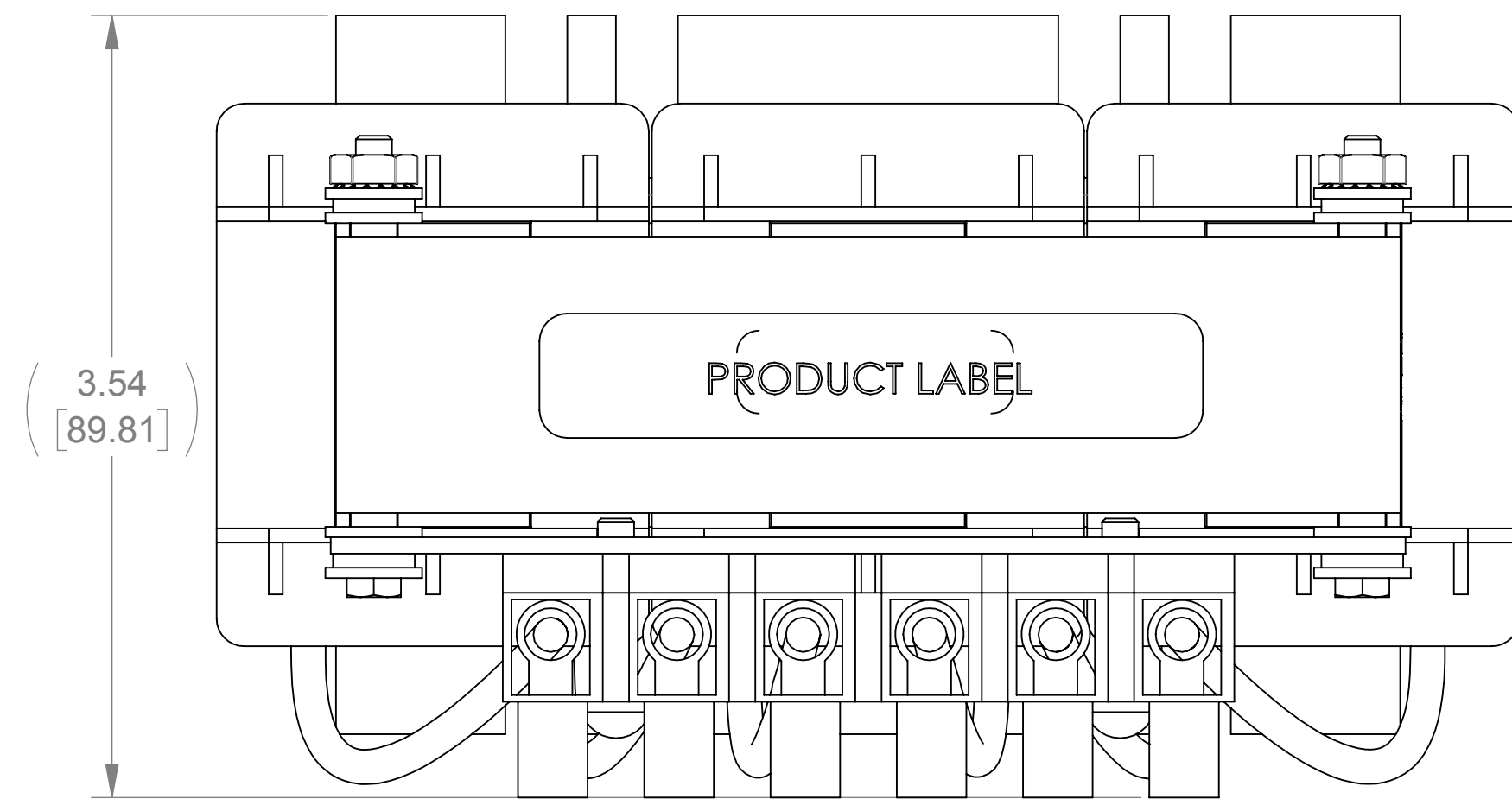


WEIGHT (LBS)	INDUCTANCE	LOSS (WATTS)
12	1.5 mH	43

ECO No	DESCRIPTION	REV BY	DATE
M8322	REDRAW IN SOLIDWORKS	JP	12/20/12



NOTES:

- 1) TERMINAL SCREW TIGHTENING TORQUE: 16 in-lbs MAX
- 2) WIRE RANGE: 14 - 6 AWG

<p>THE COMPONENT, PART OR ASSEMBLY DESCRIBED IN THIS DOCUMENT MUST COMPLY WITH THE EU (EUROPEAN UNION) DIRECTIVE RoHS</p> <p>CONTAINS <0.1% OF ANY SVHC BY WEIGHT PER REACH REGULATION</p> <p>UNLESS OTHERWISE SPECIFIED DIMENSIONS ARE IN INCHES [MM] TOLERANCES ARE:</p> <p>ANGLES: ± 1 °</p> <p>1 PLACE .X: ± .1 [2.5]</p> <p>2 PLACE .XX: ± .03 [0.76]</p> <p>3 PLACE .XXX: ± .010 [0.254]</p>		<p>MATERIAL</p>		<p>CONFIDENTIAL AND PROPRIETARY INFORMATION</p> <p>THIS DOCUMENT CONTAINS CONFIDENTIAL AND PROPRIETARY INFORMATION OF MTE CORPORATION AND MAY NOT BE USED, COPIED OR DISCLOSED TO OTHERS EXCEPT WITH THE AUTHORIZED WRITTEN PERMISSION OF MTE CORPORATION</p>													
<p>MTE AN BL POWER ELECTRONICS COMPANY</p> <p>N83 W13330 Leon Road Menomonee Falls, WI 53051 USA 800.455.4683 262.253.8200</p>		<table border="1"> <tr> <td>DRAWN</td> <td>RD</td> <td>DATE</td> <td>02/18/94</td> </tr> <tr> <td>CHECKED</td> <td>TM</td> <td>DATE</td> <td>12/27/12</td> </tr> <tr> <td>APPROVED</td> <td>TM</td> <td>DATE</td> <td>12/27/12</td> </tr> </table>		DRAWN	RD	DATE	02/18/94	CHECKED	TM	DATE	12/27/12	APPROVED	TM	DATE	12/27/12	<p>DESCRIPTION</p> <p>3 PHASE REACTOR</p>	
DRAWN	RD	DATE	02/18/94														
CHECKED	TM	DATE	12/27/12														
APPROVED	TM	DATE	12/27/12														
		<table border="1"> <tr> <td>SIZE</td> <td>D</td> <td>DWG No.</td> <td>CD RL-01802</td> <td>REV</td> <td>15</td> </tr> <tr> <td>SCALE</td> <td colspan="2">4:3</td> <td colspan="3">SHEET 1 OF 1</td> </tr> </table>		SIZE	D	DWG No.	CD RL-01802	REV	15	SCALE	4:3		SHEET 1 OF 1				
SIZE	D	DWG No.	CD RL-01802	REV	15												
SCALE	4:3		SHEET 1 OF 1														