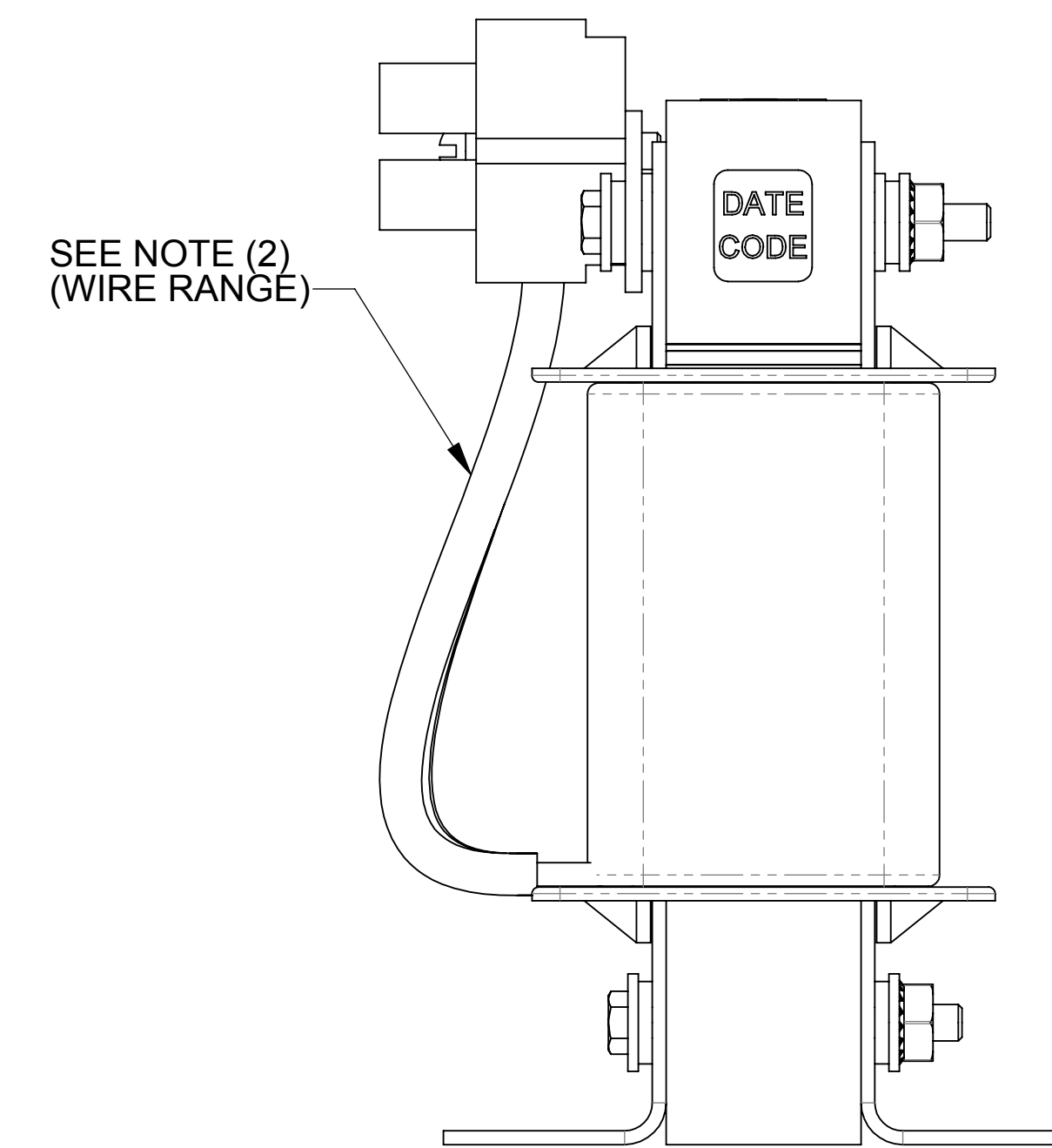
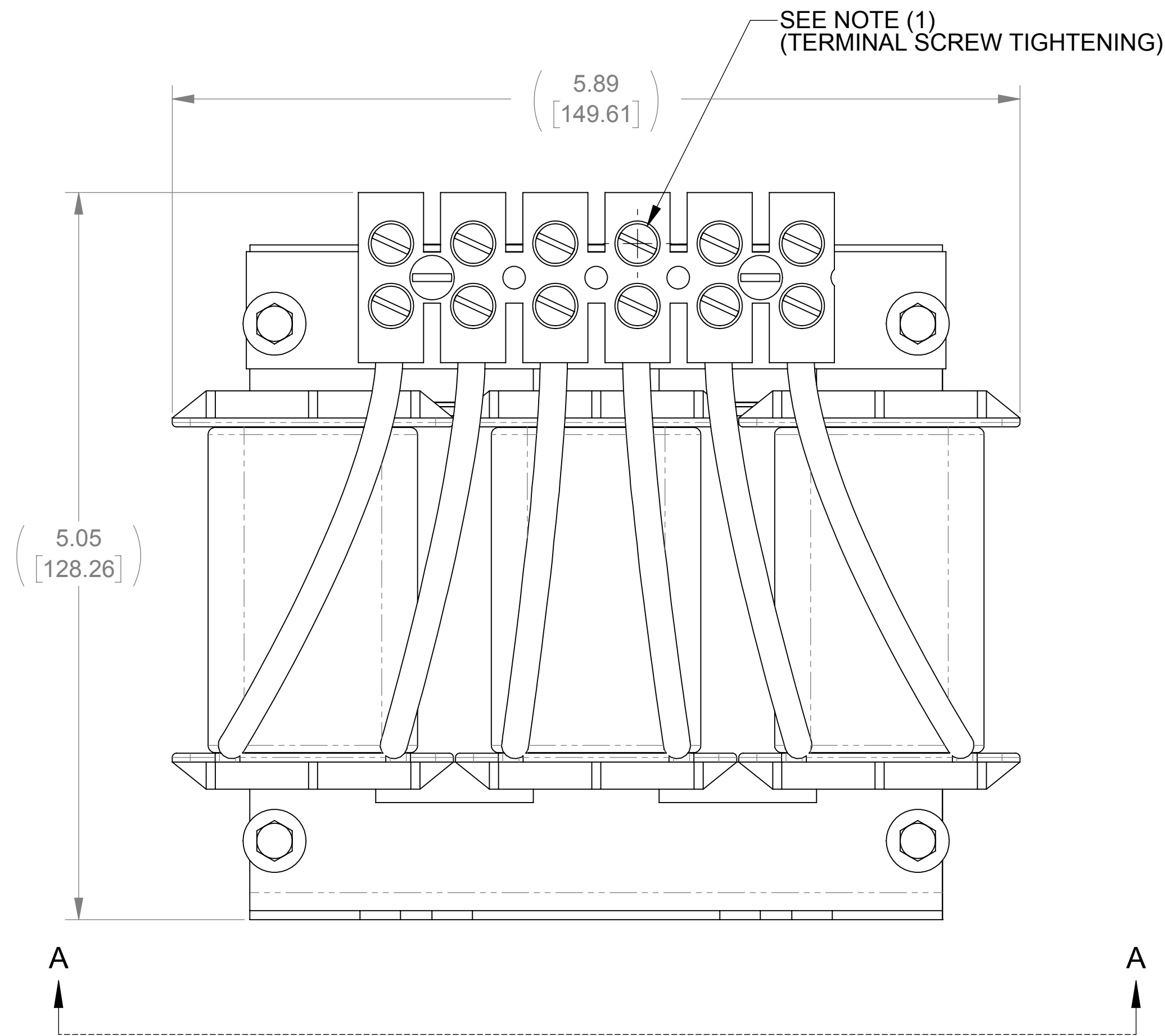
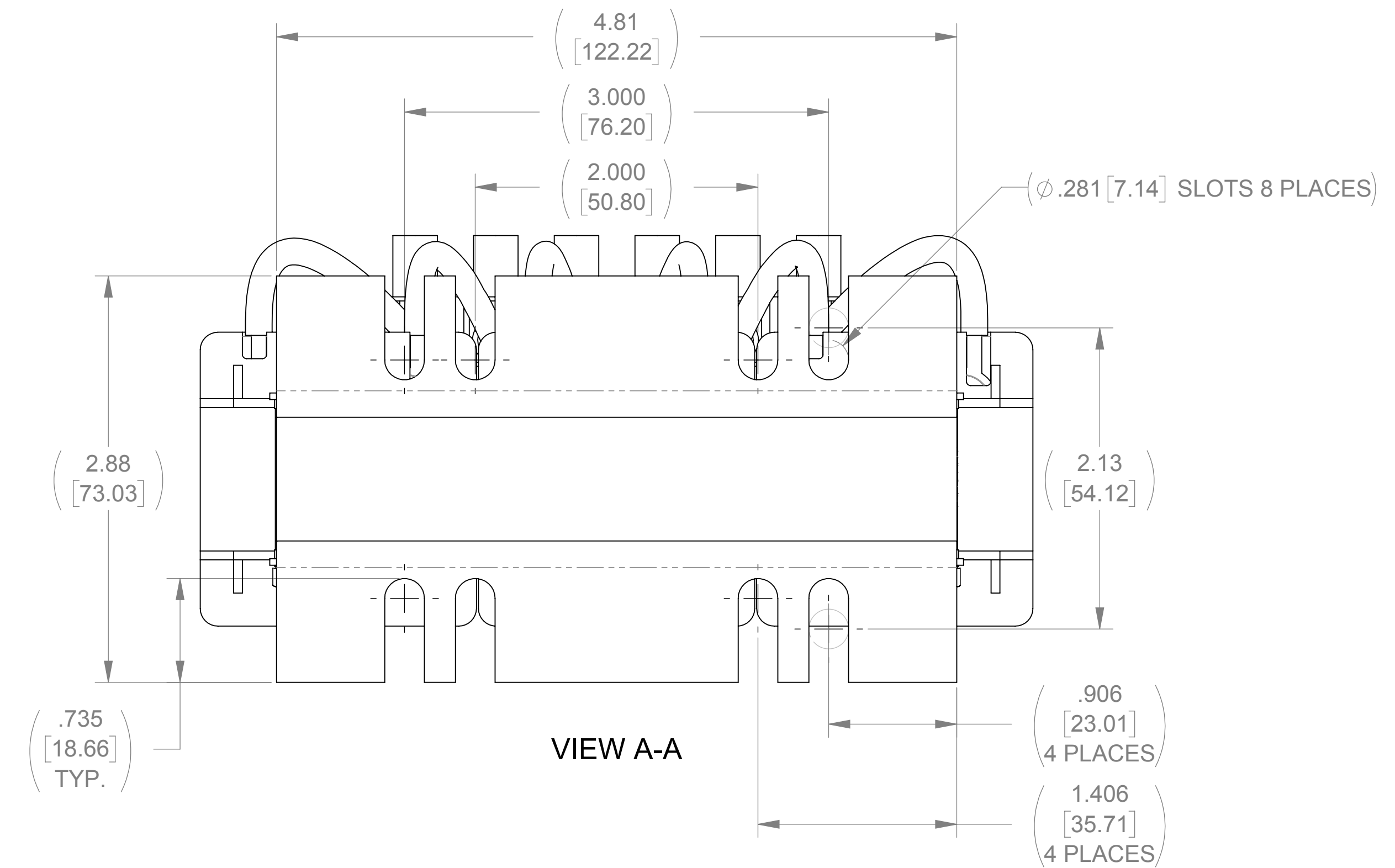
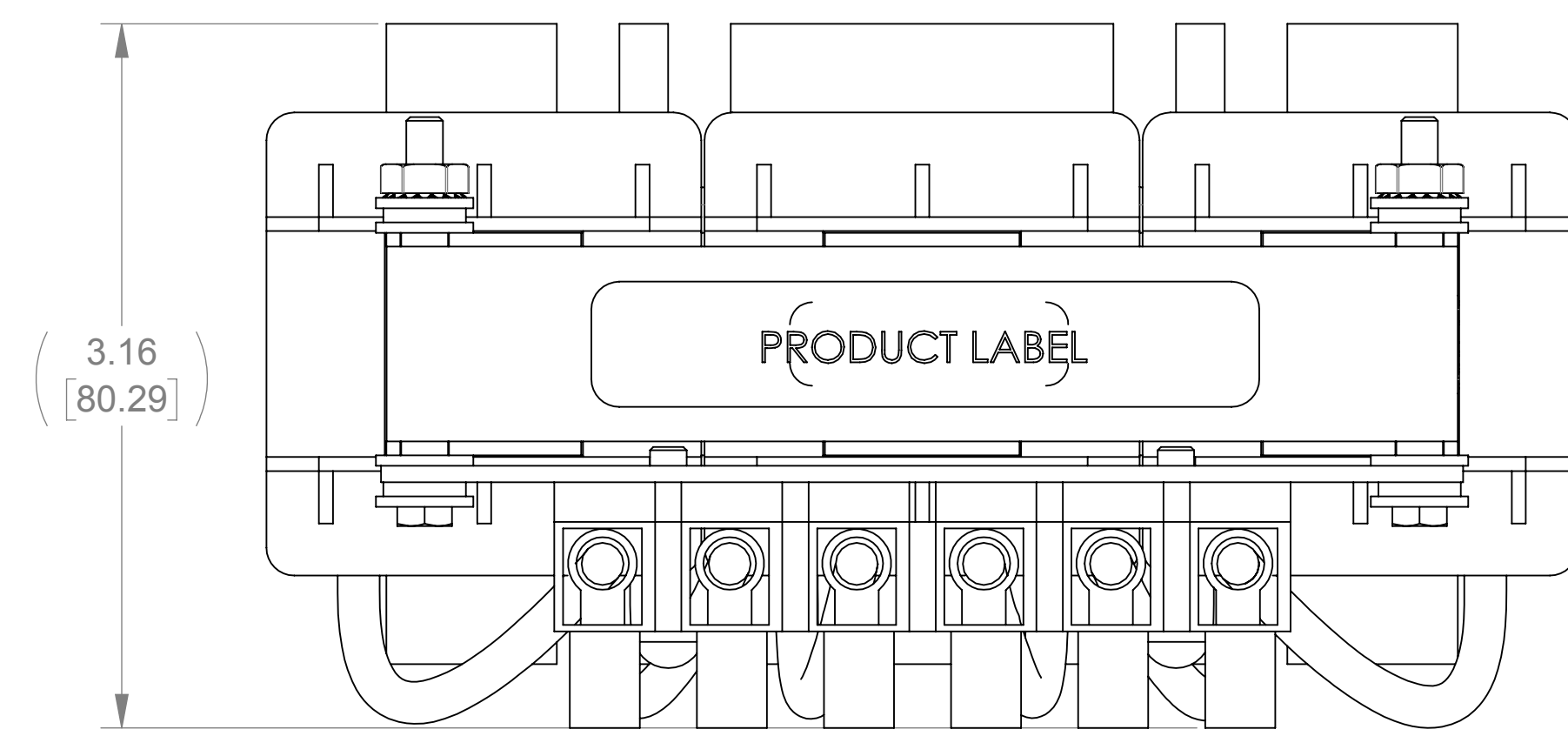


WEIGHT (LBS)	INDUCTANCE	LOSS (WATTS)
9	0.8 mH	36

ECO No	DESCRIPTION	REV BY	DATE
M8322	REDRAW IN SOLIDWORKS	JP	12/20/12



NOTES:

- 1) TERMINAL SCREW TIGHTENING TORQUE: 16 in-lbs MAX
- 2) WIRE RANGE: 14 - 6 AWG

<p>THE COMPONENT, PART OR ASSEMBLY DESCRIBED IN THIS DOCUMENT MUST COMPLY WITH THE EU (EUROPEAN UNION) DIRECTIVE RoHS</p> <p>CONTAINS <0.1% OF ANY SVHC BY WEIGHT PER REACH REGULATION</p> <p>UNLESS OTHERWISE SPECIFIED DIMENSIONS ARE IN INCHES [MM] TOLERANCES ARE: ANGLES: ± 1° 1 PLACE .X: ± .1 [2.5] 2 PLACE .XX: ± .03 [0.76] 3 PLACE .XXX: ± .010 [0.254]</p>		<p>MATERIAL</p>	<p>CONFIDENTIAL AND PROPRIETARY INFORMATION THIS DOCUMENT CONTAINS CONFIDENTIAL AND PROPRIETARY INFORMATION OF MTE CORPORATION AND MAY NOT BE USED, COPIED OR DISCLOSED TO OTHERS EXCEPT WITH THE AUTHORIZED WRITTEN PERMISSION OF MTE CORPORATION</p>													
<p>MTE AN ILLINOIS POWER ELECTRONICS COMPANY</p> <p>N83 W13330 Leon Road Menomonee Falls, WI 53051 USA 800.455.4683 262.253.8200</p>		<table border="1"> <tr> <td>DRAWN</td> <td>DATE</td> </tr> <tr> <td>PB</td> <td>06/09/97</td> </tr> <tr> <td>CHECKED</td> <td>DATE</td> </tr> <tr> <td>TM</td> <td>12/27/12</td> </tr> <tr> <td>APPROVED</td> <td>DATE</td> </tr> <tr> <td>TM</td> <td>12/27/12</td> </tr> </table>	DRAWN	DATE	PB	06/09/97	CHECKED	DATE	TM	12/27/12	APPROVED	DATE	TM	12/27/12	<p>DESCRIPTION</p> <p>3 PHASE REACTOR</p>	
DRAWN	DATE															
PB	06/09/97															
CHECKED	DATE															
TM	12/27/12															
APPROVED	DATE															
TM	12/27/12															
		<table border="1"> <tr> <td>SIZE</td> <td>DWG No.</td> <td>REV</td> </tr> <tr> <td>D</td> <td>CD RL-01801</td> <td>15</td> </tr> </table>	SIZE	DWG No.	REV	D	CD RL-01801	15								
SIZE	DWG No.	REV														
D	CD RL-01801	15														
		<table border="1"> <tr> <td>SCALE</td> <td colspan="2">SHEET 1 OF 1</td> </tr> <tr> <td>4:3</td> <td colspan="2"></td> </tr> </table>	SCALE	SHEET 1 OF 1		4:3										
SCALE	SHEET 1 OF 1															
4:3																