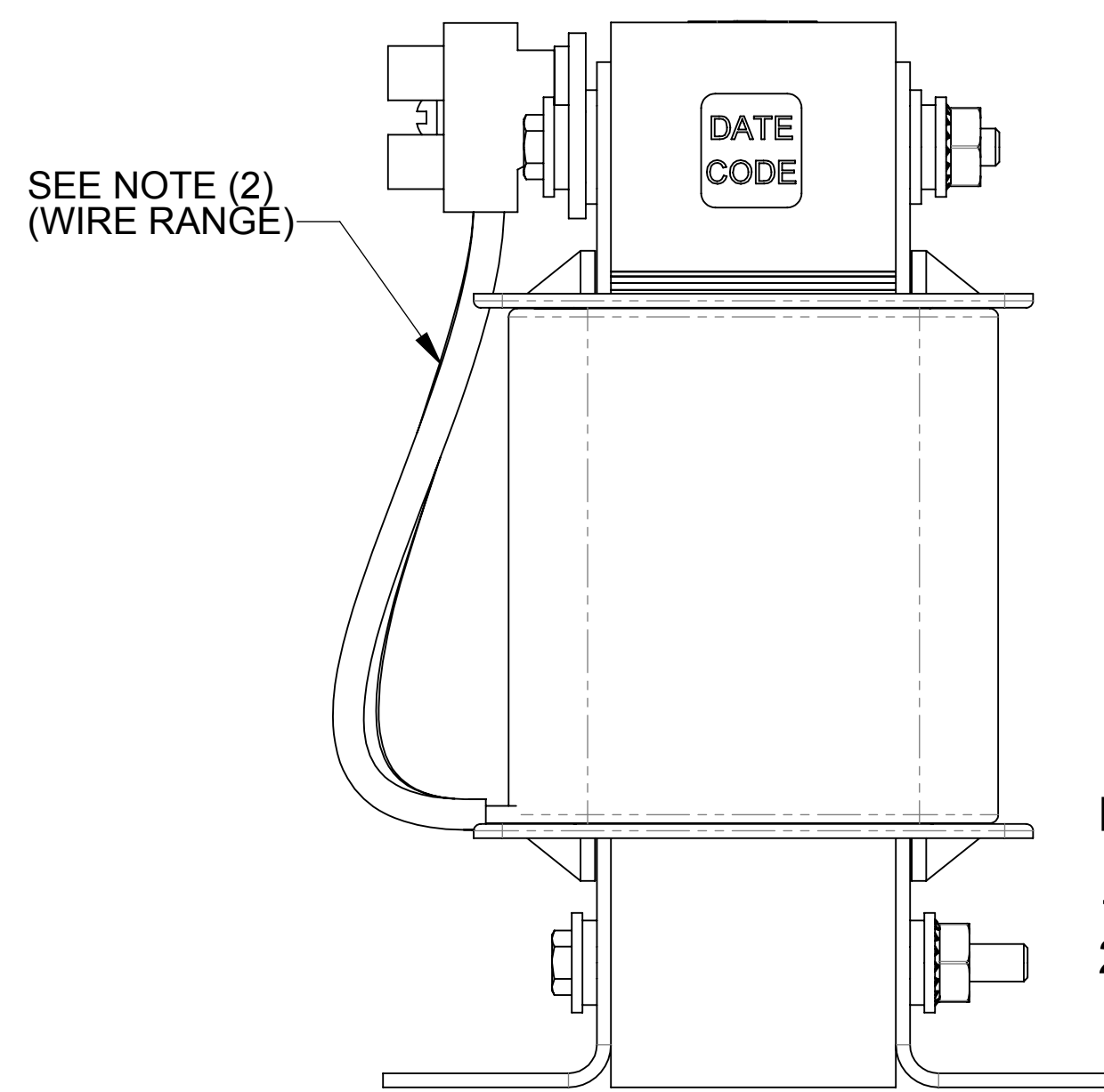
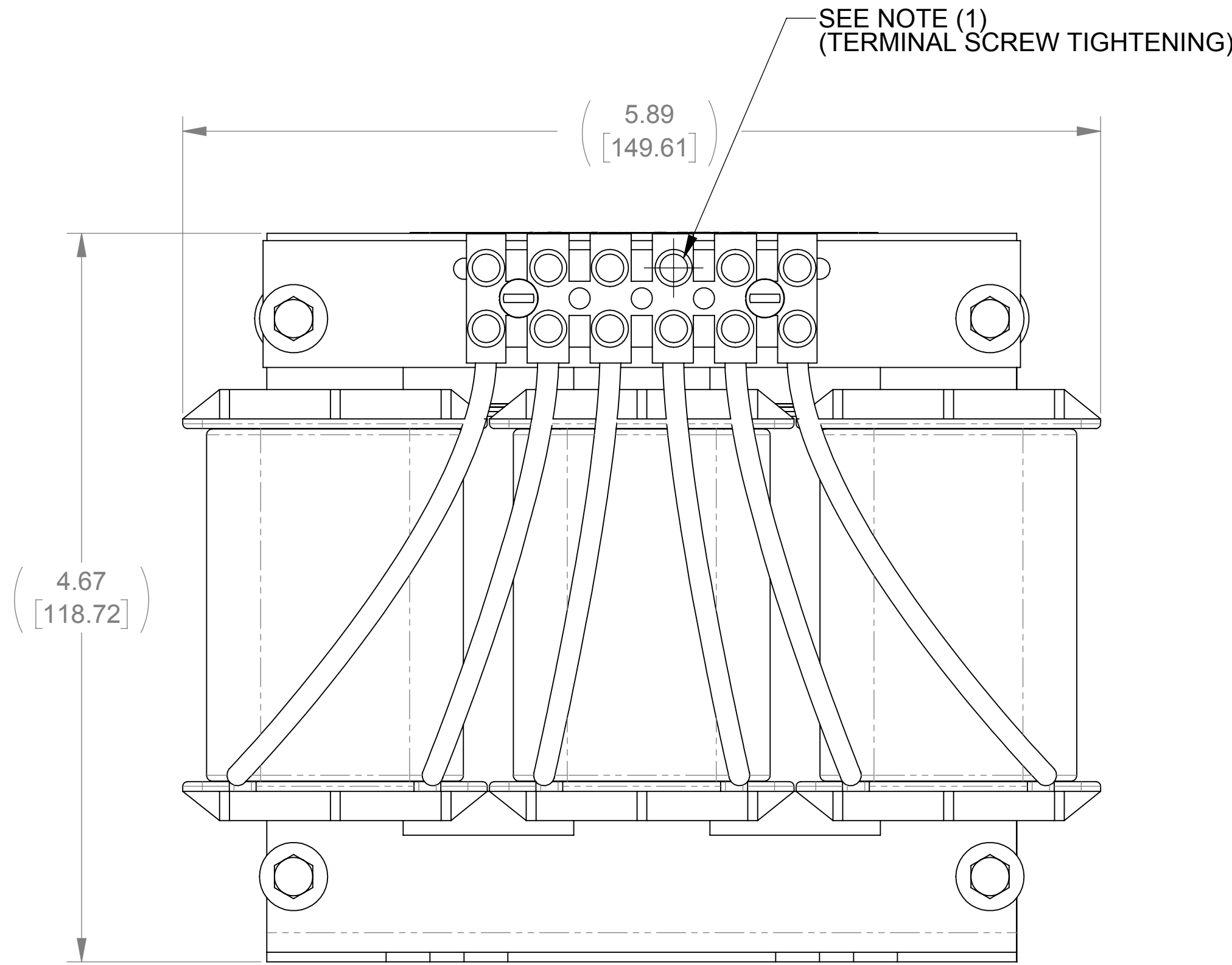
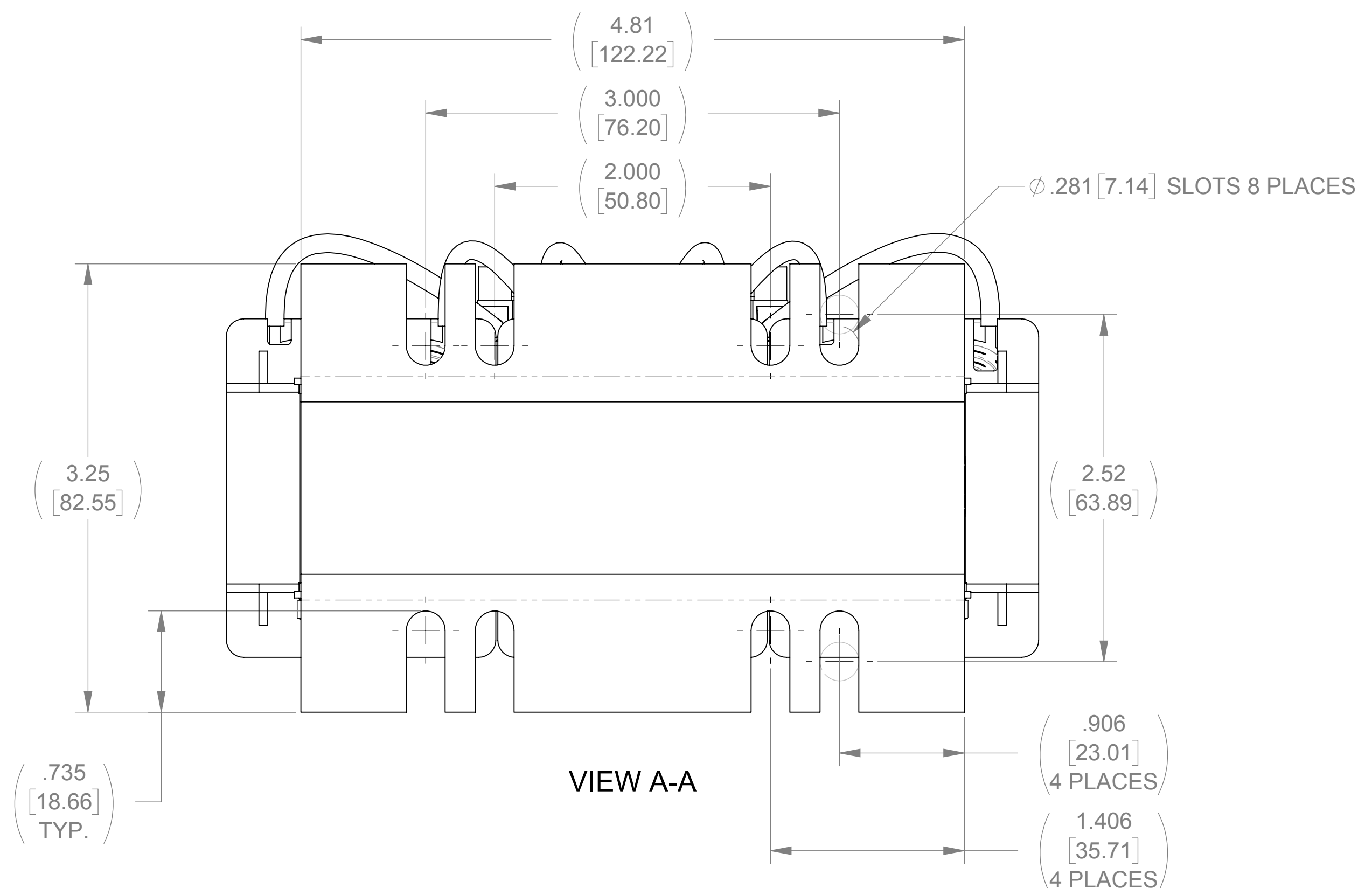
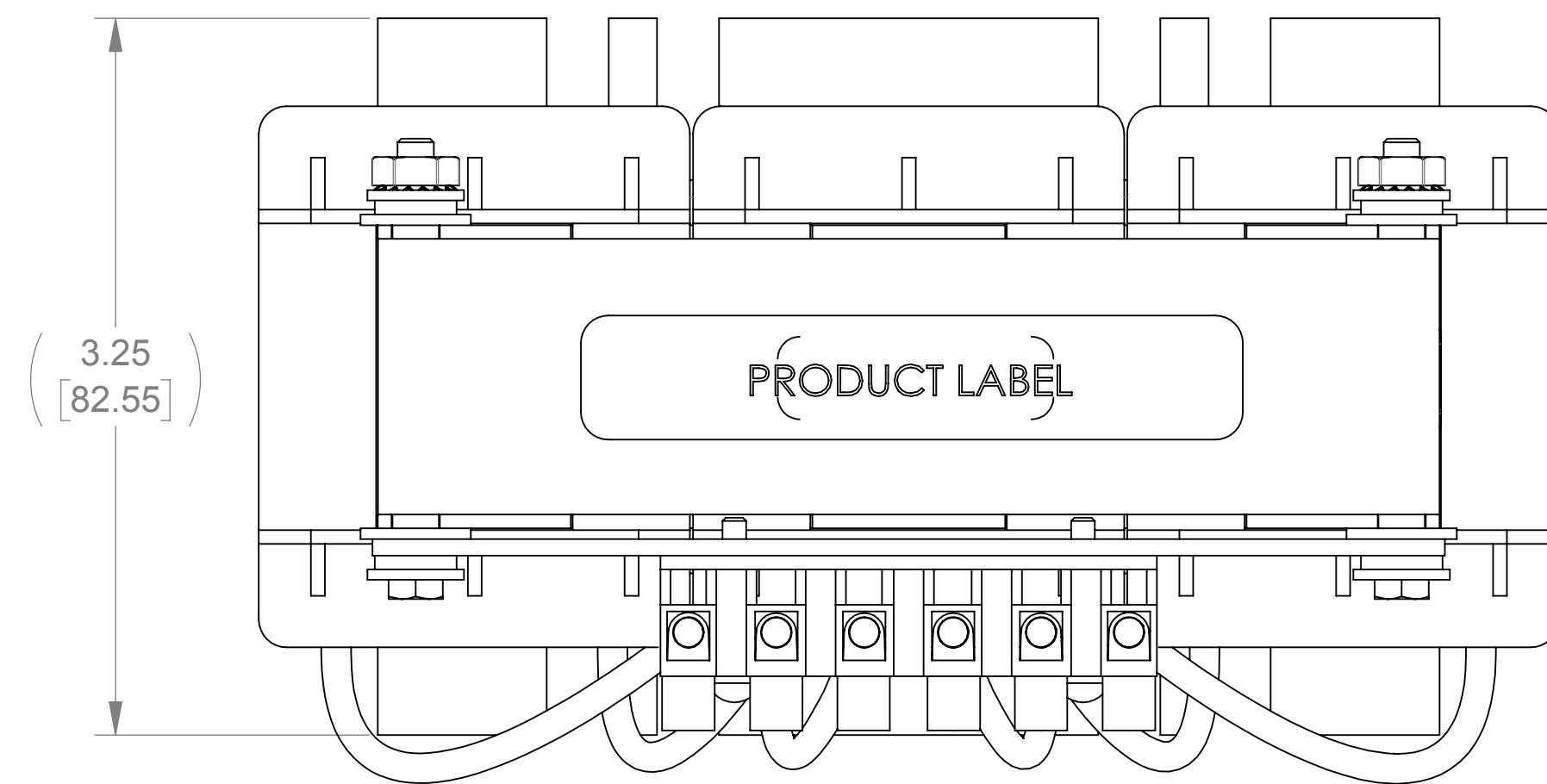


WEIGHT (LBS)	INDUCTANCE	LOSS (WATTS)
13	7.5 mH	28

ECO No	DESCRIPTION	REV BY	DATE
M8322	REDRAW IN SOLIDWORKS	JP	12/20/12



- NOTES:
- 1) TERMINAL SCREW TIGHTENING TORQUE: 4.5 in-lbs MAX
 - 2) WIRE RANGE: 22 - 10 AWG

<p>THE COMPONENT, PART OR ASSEMBLY DESCRIBED IN THIS DOCUMENT MUST COMPLY WITH THE EU (EUROPEAN UNION) DIRECTIVE RoHS</p> <p>CONTAINS <0.1% OF ANY SVHC BY WEIGHT PER REACH REGULATION</p> <p>UNLESS OTHERWISE SPECIFIED DIMENSIONS ARE IN INCHES [MM] TOLERANCES ARE:</p> <p>ANGLES: ± 1°</p> <p>1 PLACE .X: ± .1 [2.5]</p> <p>2 PLACE .XX: ± .03 [0.76]</p> <p>3 PLACE .XXX: ± .010 [0.254]</p>		<p>N83 W13330 Leon Road Menomonee Falls, WI 53051 USA 800.455.4683 262.253.8200</p>	<p>MATERIAL</p>		<p>CONFIDENTIAL AND PROPRIETARY INFORMATION THIS DOCUMENT CONTAINS CONFIDENTIAL AND PROPRIETARY INFORMATION OF MTE CORPORATION AND MAY NOT BE USED, COPIED OR DISCLOSED TO OTHERS EXCEPT WITH THE AUTHORIZED WRITTEN PERMISSION OF MTE CORPORATION</p>	
<p>DRAWN RD 01/12/93</p> <p>CHECKED TM 12/27/12</p> <p>APPROVED TM 12/27/12</p>			<p>DATE 01/12/93</p> <p>DATE 12/27/12</p> <p>DATE 12/27/12</p>		<p>DESCRIPTION</p> <p>3 PHASE REACTOR</p>	
<p>SIZE D</p> <p>SCALE 4:3</p>		<p>DWG No. CD RL-00804</p> <p>REV 13</p>		<p>SHEET 1 OF 1</p>		