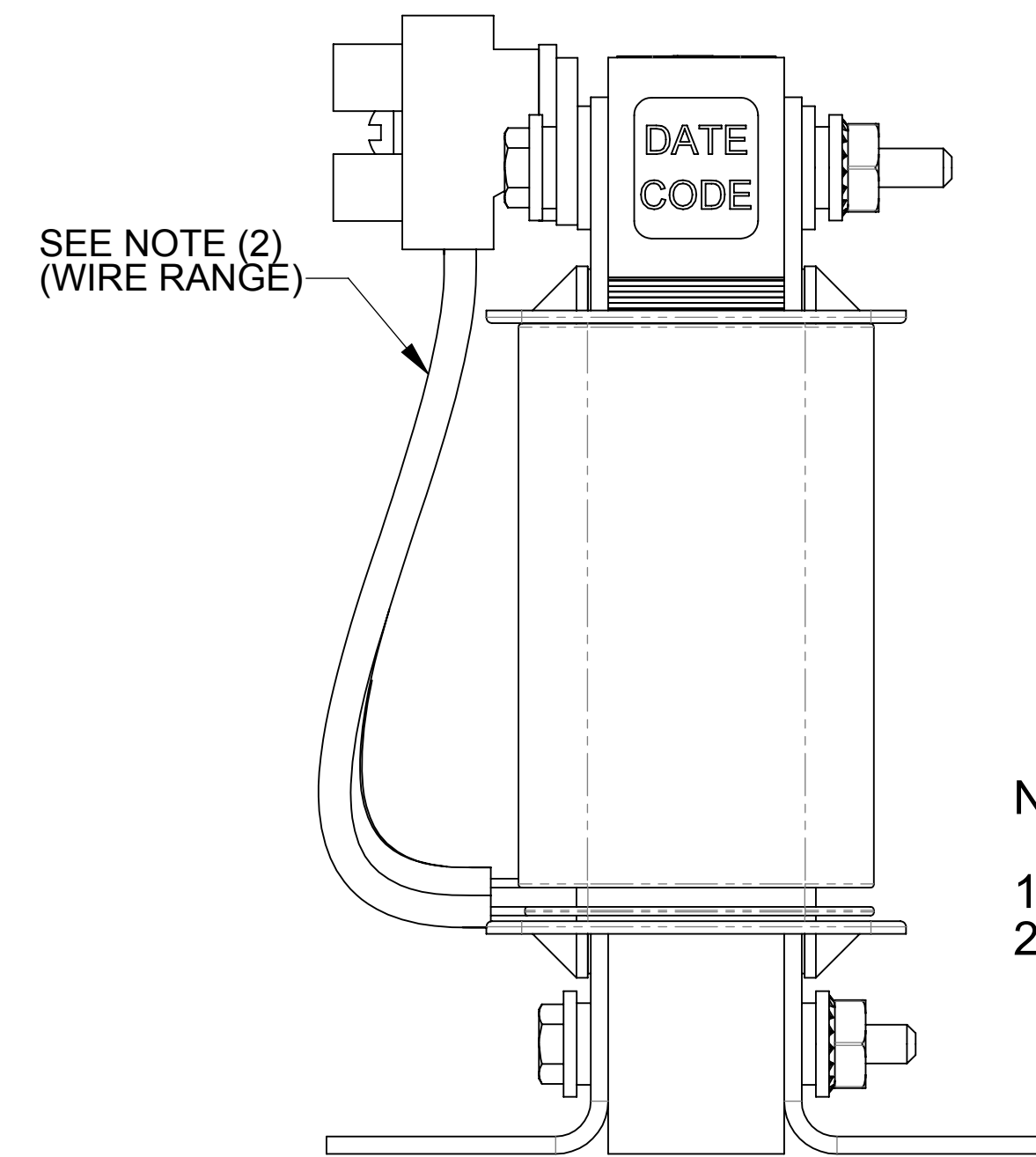
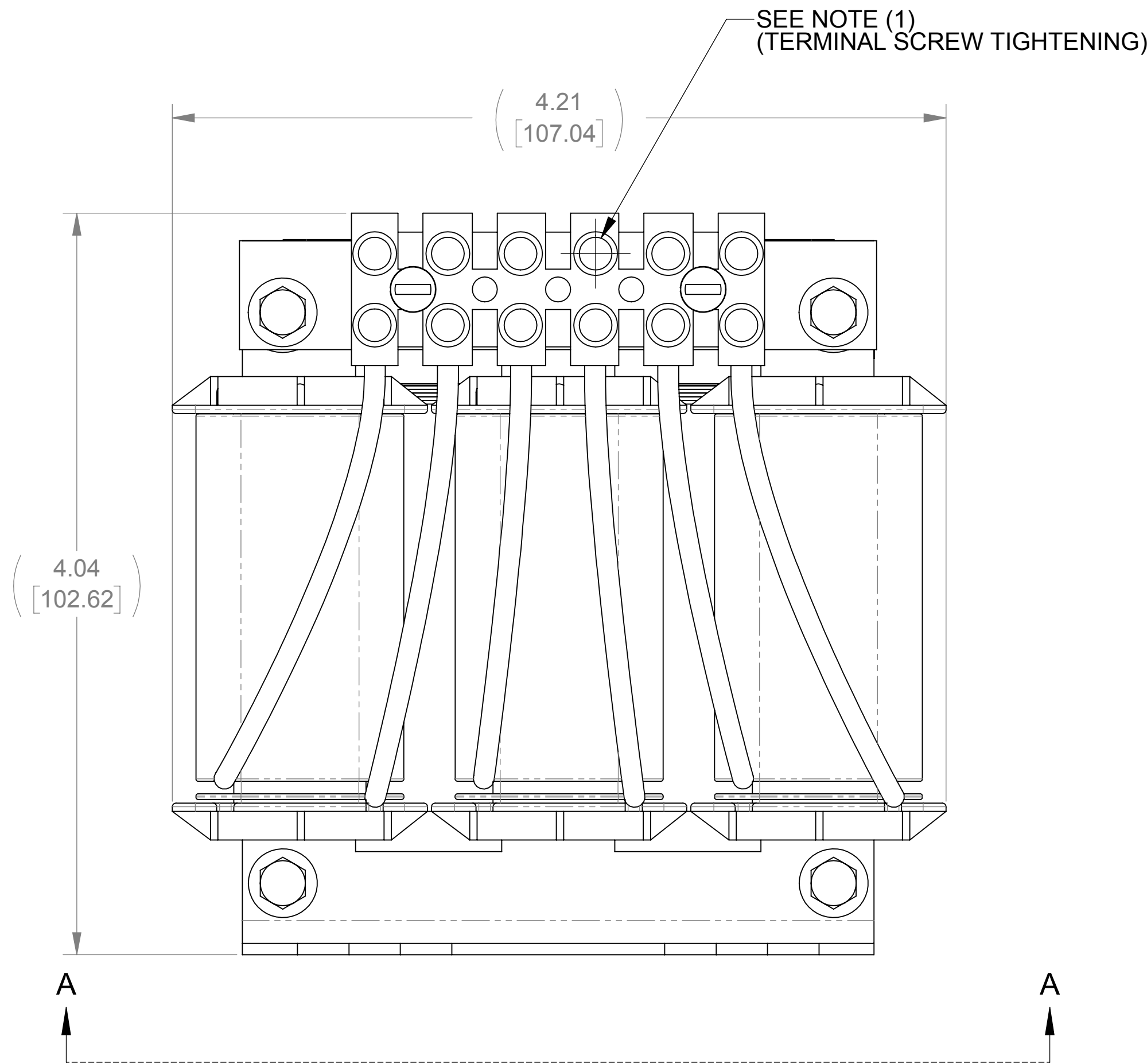
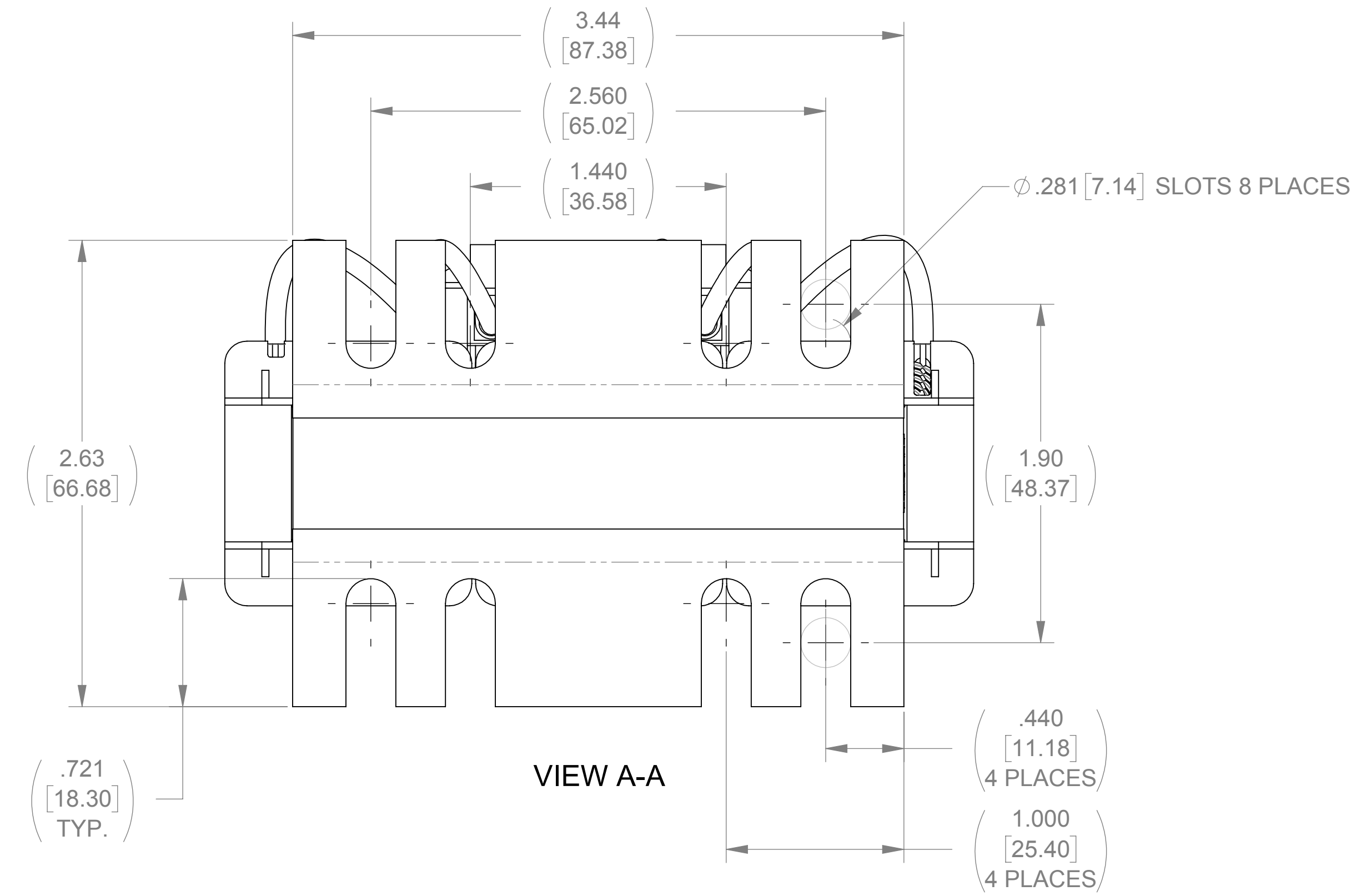
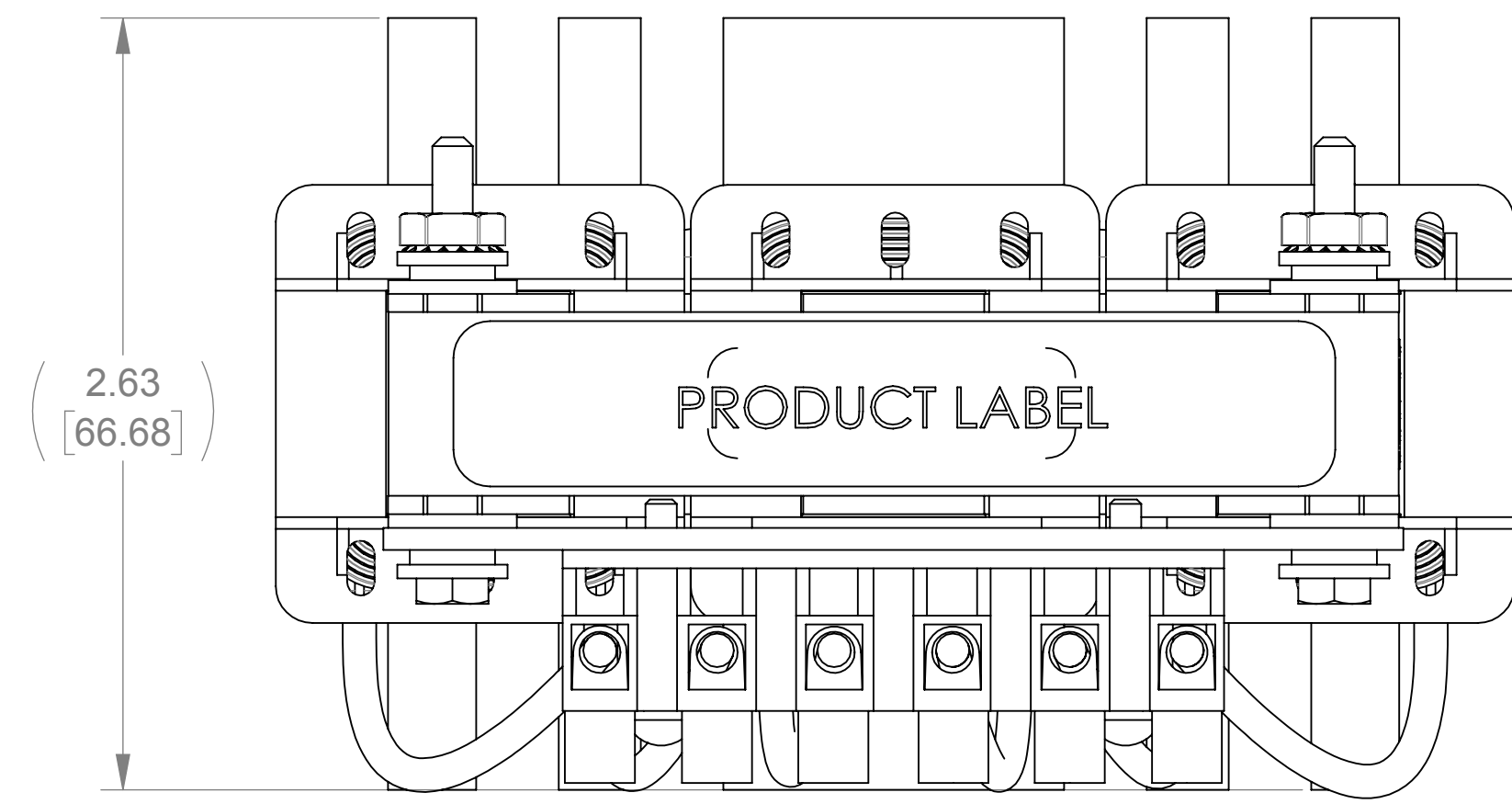


WEIGHT (LBS)	INDUCTANCE	LOSS (WATTS)
4	32 mH	16

ECO No	DESCRIPTION	REV BY	DATE
M8306	REDRAW IN SOLIDWORKS	JP	12/06/12



**NOTES:**

- 1) TERMINAL SCREW TIGHTENING TORQUE: 4.5 in-lbs MAX
- 2) WIRE RANGE: 22 - 10 AWG

<p>THE COMPONENT, PART OR ASSEMBLY DESCRIBED IN THIS DOCUMENT MUST COMPLY WITH THE EU (EUROPEAN UNION) DIRECTIVE RoHS</p> <p>CONTAINS &lt;0.1% OF ANY SVHC BY WEIGHT PER REACH REGULATION</p>		<p><b>MATERIAL</b></p>		<p><b>CONFIDENTIAL AND PROPRIETARY INFORMATION</b> THIS DOCUMENT CONTAINS CONFIDENTIAL AND PROPRIETARY INFORMATION OF MTE CORPORATION AND MAY NOT BE USED, COPIED OR DISCLOSED TO OTHERS EXCEPT WITH THE AUTHORIZED WRITTEN PERMISSION OF MTE CORPORATION</p>	
<p>UNLESS OTHERWISE SPECIFIED DIMENSIONS ARE IN INCHES [MM] TOLERANCES ARE:</p> <p>ANGLES: ± 1°</p> <p>1 PLACE .X: ± .1 [2.5]</p> <p>2 PLACE .XX: ± .03 [0.76]</p> <p>3 PLACE .XXX: ± .010 [0.254]</p>		<p><b>MTE</b> AN BL POWER ELECTRONICS COMPANY</p> <p>N83 W13330 Leon Road Menomonee Falls, WI 53051 USA 800.455.4683 262.253.8200</p>		<p><b>DESCRIPTION</b></p> <p>3 PHASE REACTOR</p>	
<p>DRAWN SJW</p> <p>CHECKED TM</p> <p>APPROVED TM</p>		<p>DATE 03/06/90</p> <p>DATE 12/13/12</p> <p>DATE 12/13/12</p>		<p>SIZE D</p> <p>DWG No. CD RL-00203</p> <p>REV 11</p>	
<p>SCALE 5:3</p>		<p>SHEET 1 OF 1</p>			