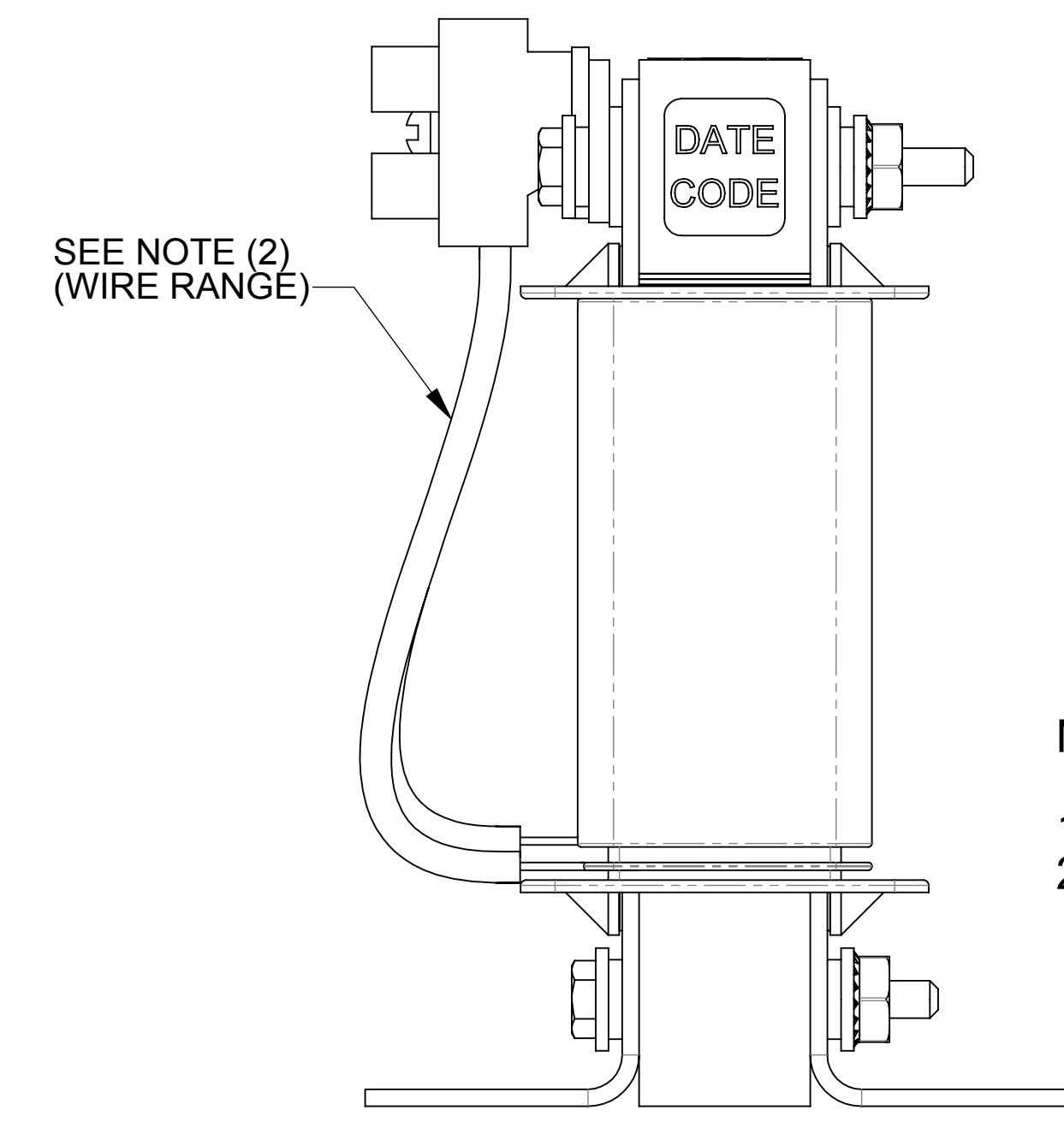
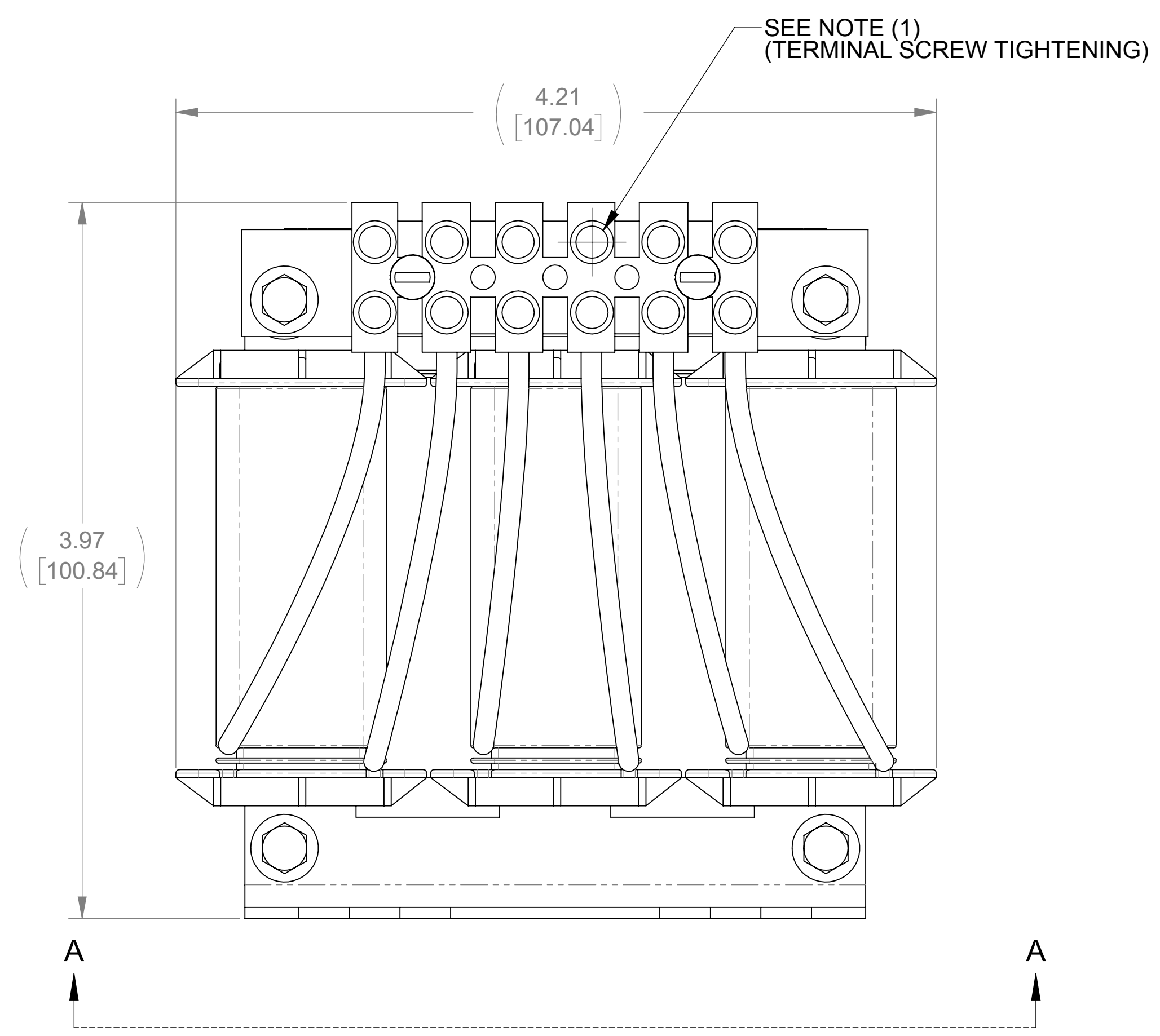
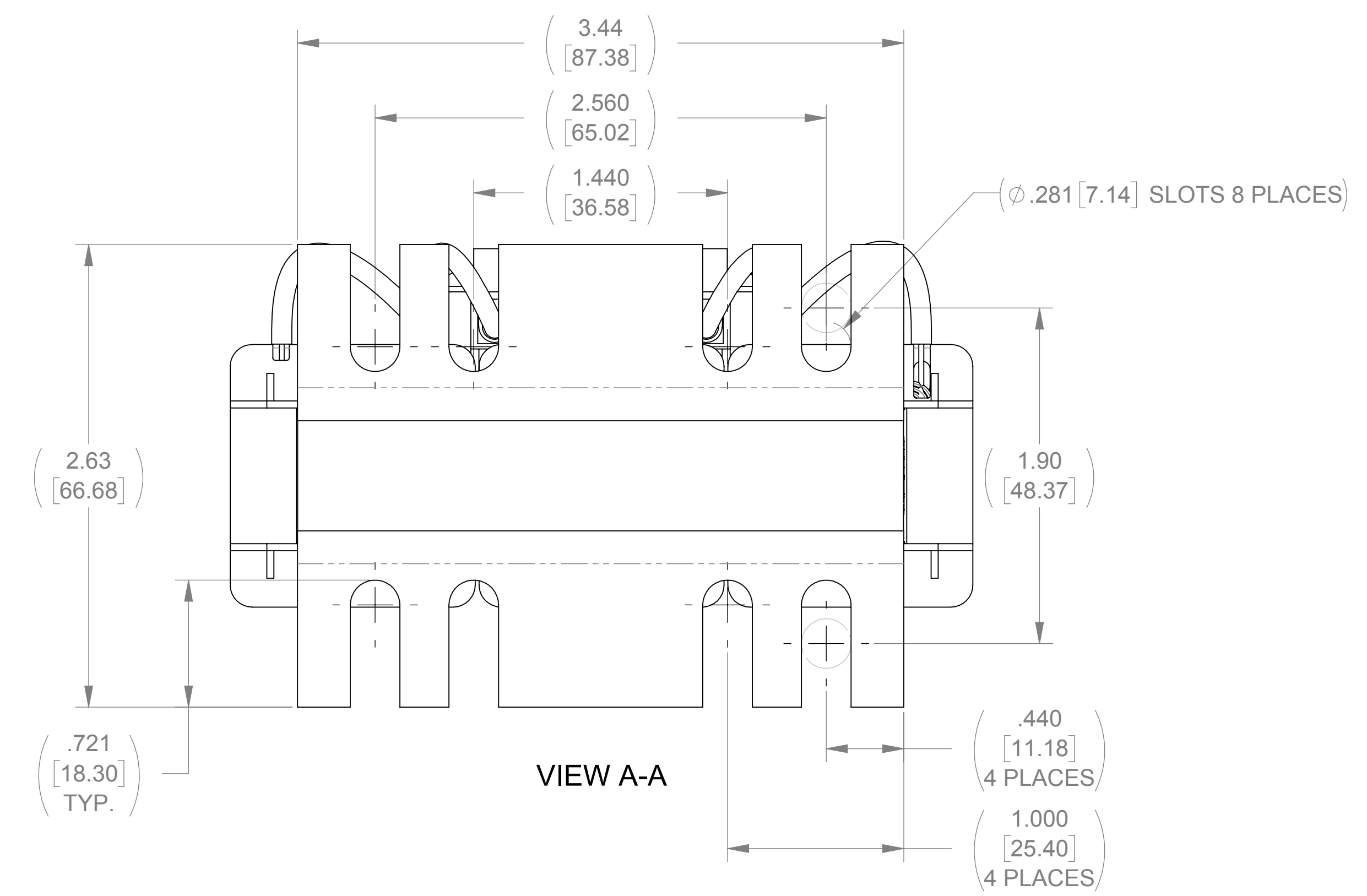
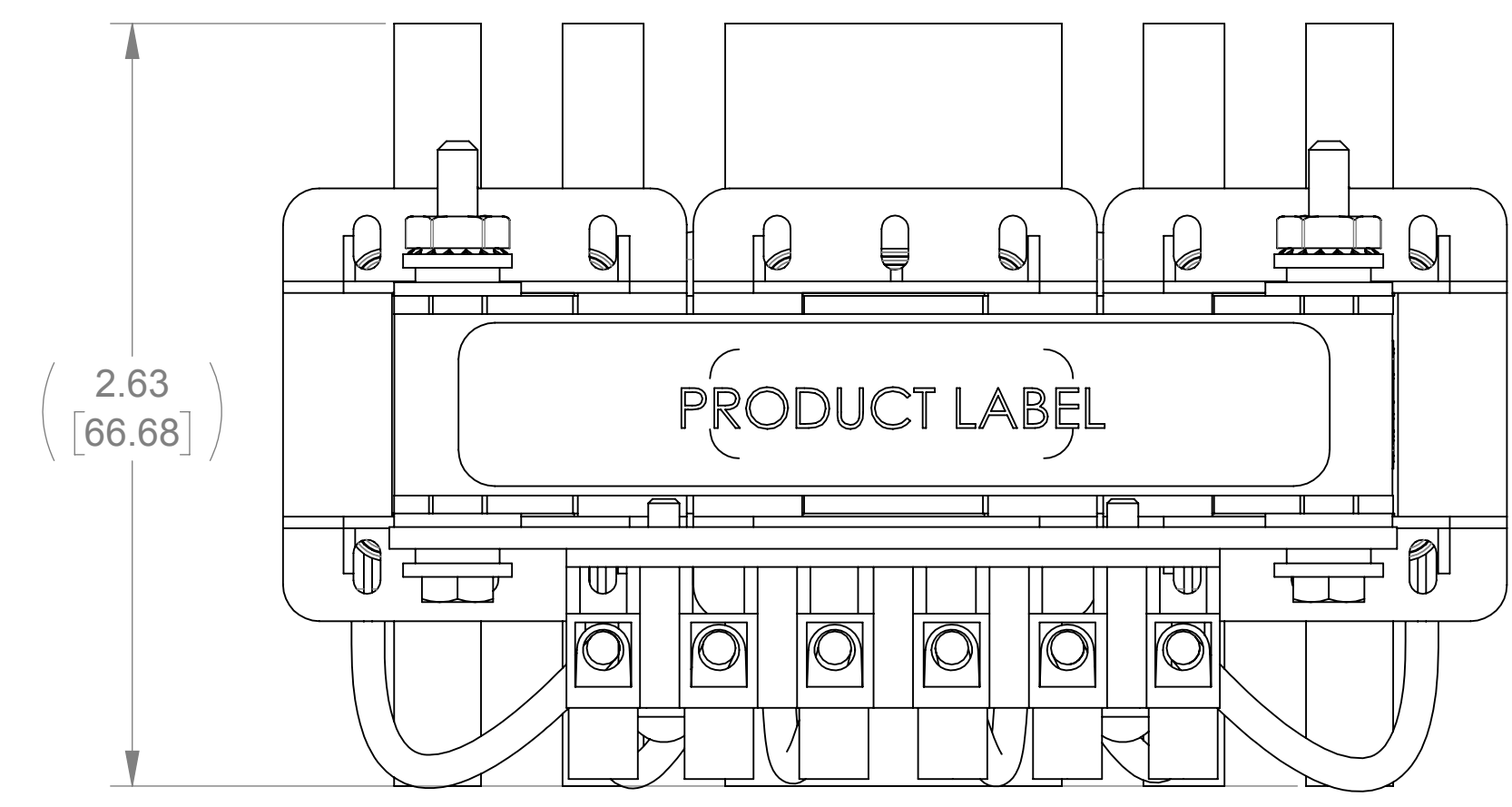


WEIGHT (LBS)	INDUCTANCE	LOSS (WATTS)
4	20 mH	11.3

ECO No	DESCRIPTION	REV BY	DATE
M8306	REDRAW IN SOLIDWORKS	JP	12/06/12



- NOTES:
- 1) TERMINAL SCREW TIGHTENING TORQUE: 4.5 in-lbs MAX
 - 2) WIRE RANGE: 22 - 10 AWG

<p>THE COMPONENT, PART OR ASSEMBLY DESCRIBED IN THIS DOCUMENT MUST COMPLY WITH THE EU (EUROPEAN UNION) DIRECTIVE RoHS</p> <p>CONTAINS <0.1% OF ANY SVHC BY WEIGHT PER REACH REGULATION</p> <p>UNLESS OTHERWISE SPECIFIED DIMENSIONS ARE IN INCHES [MM] TOLERANCES ARE:</p> <p>ANGLES: ± 1°</p> <p>1 PLACE .X: ± .1 [2.5]</p> <p>2 PLACE .XX: ± .03 [0.76]</p> <p>3 PLACE .XXX: ± .010 [0.254]</p>		<p>MTE</p> <p>AN ILLINOIS POWER ELECTRONICS COMPANY</p> <p>N83 W13330 Leon Road Menomonee Falls, WI 53051 USA 800.455.4683 262.253.8200</p>	<table border="1"> <tr> <td>DRAWN</td> <td>RD</td> <td>DATE</td> <td>02/25/94</td> </tr> <tr> <td>CHECKED</td> <td>TM</td> <td>DATE</td> <td>12/13/12</td> </tr> <tr> <td>APPROVED</td> <td>TM</td> <td>DATE</td> <td>12/13/12</td> </tr> </table>	DRAWN	RD	DATE	02/25/94	CHECKED	TM	DATE	12/13/12	APPROVED	TM	DATE	12/13/12	<p>CONFIDENTIAL AND PROPRIETARY INFORMATION</p> <p>THIS DOCUMENT CONTAINS CONFIDENTIAL AND PROPRIETARY INFORMATION OF MTE CORPORATION AND MAY NOT BE USED, COPIED OR DISCLOSED TO OTHERS EXCEPT WITH THE AUTHORIZED WRITTEN PERMISSION OF MTE CORPORATION</p> <p>DESCRIPTION</p> <p>3 PHASE REACTOR</p> <table border="1"> <tr> <td>SIZE</td> <td>DWG No.</td> <td>REV</td> </tr> <tr> <td>D</td> <td>CD RL-00202</td> <td>16</td> </tr> </table> <p>SCALE 5:3</p> <p>SHEET 1 OF 1</p>	SIZE	DWG No.	REV	D	CD RL-00202	16
DRAWN	RD	DATE	02/25/94																			
CHECKED	TM	DATE	12/13/12																			
APPROVED	TM	DATE	12/13/12																			
SIZE	DWG No.	REV																				
D	CD RL-00202	16																				