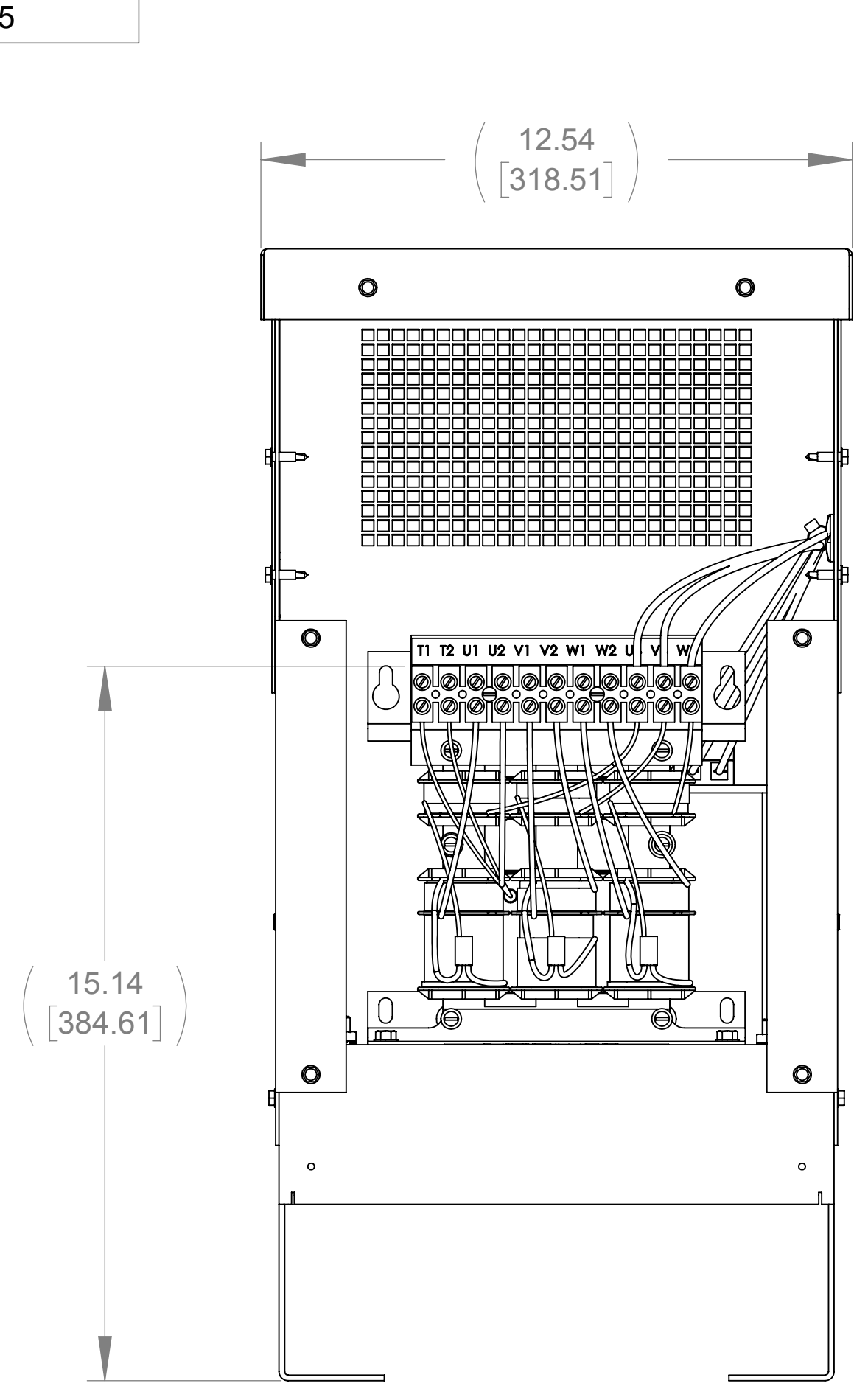
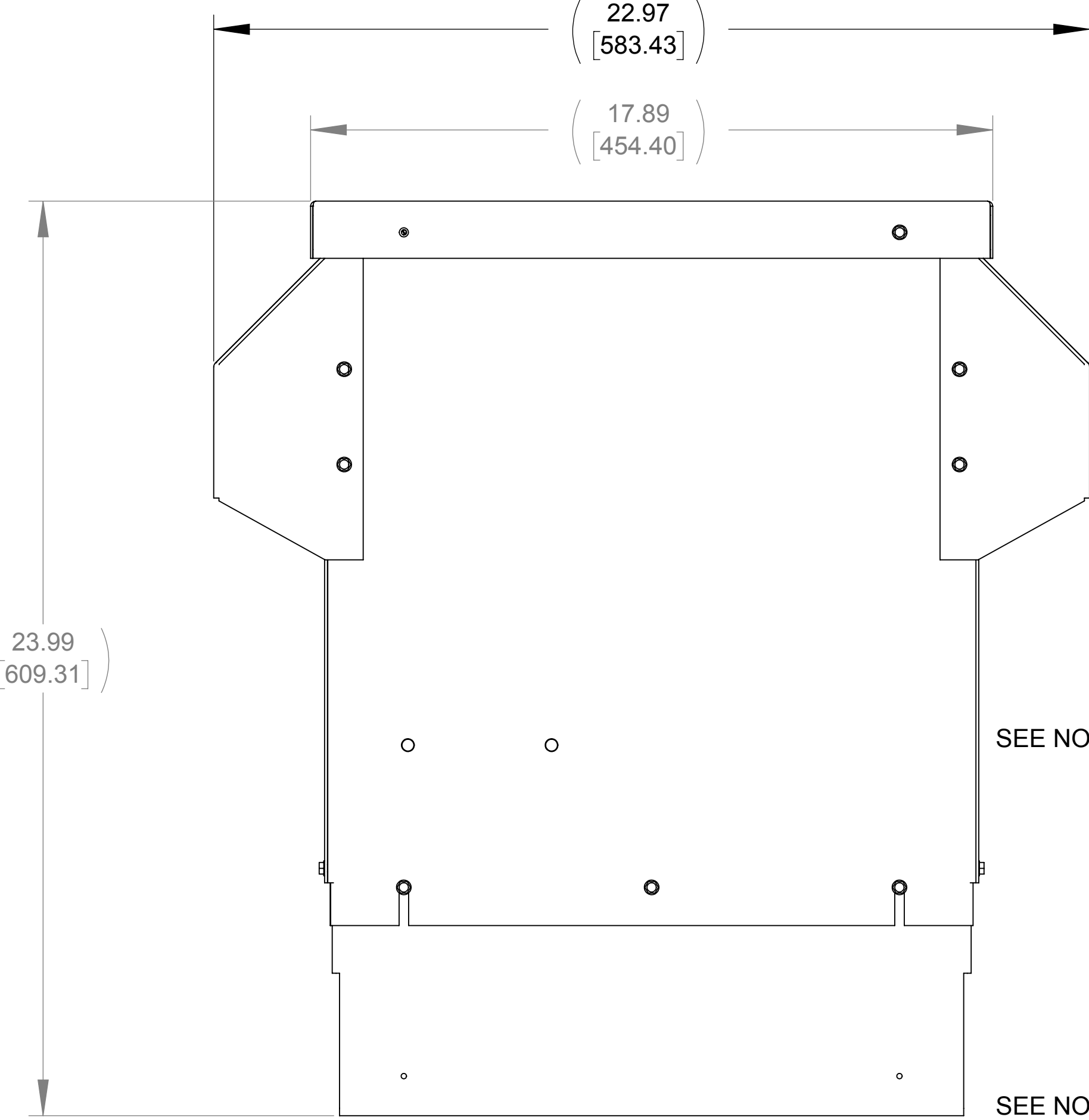


APPROX. WEIGHT (LBS)
75

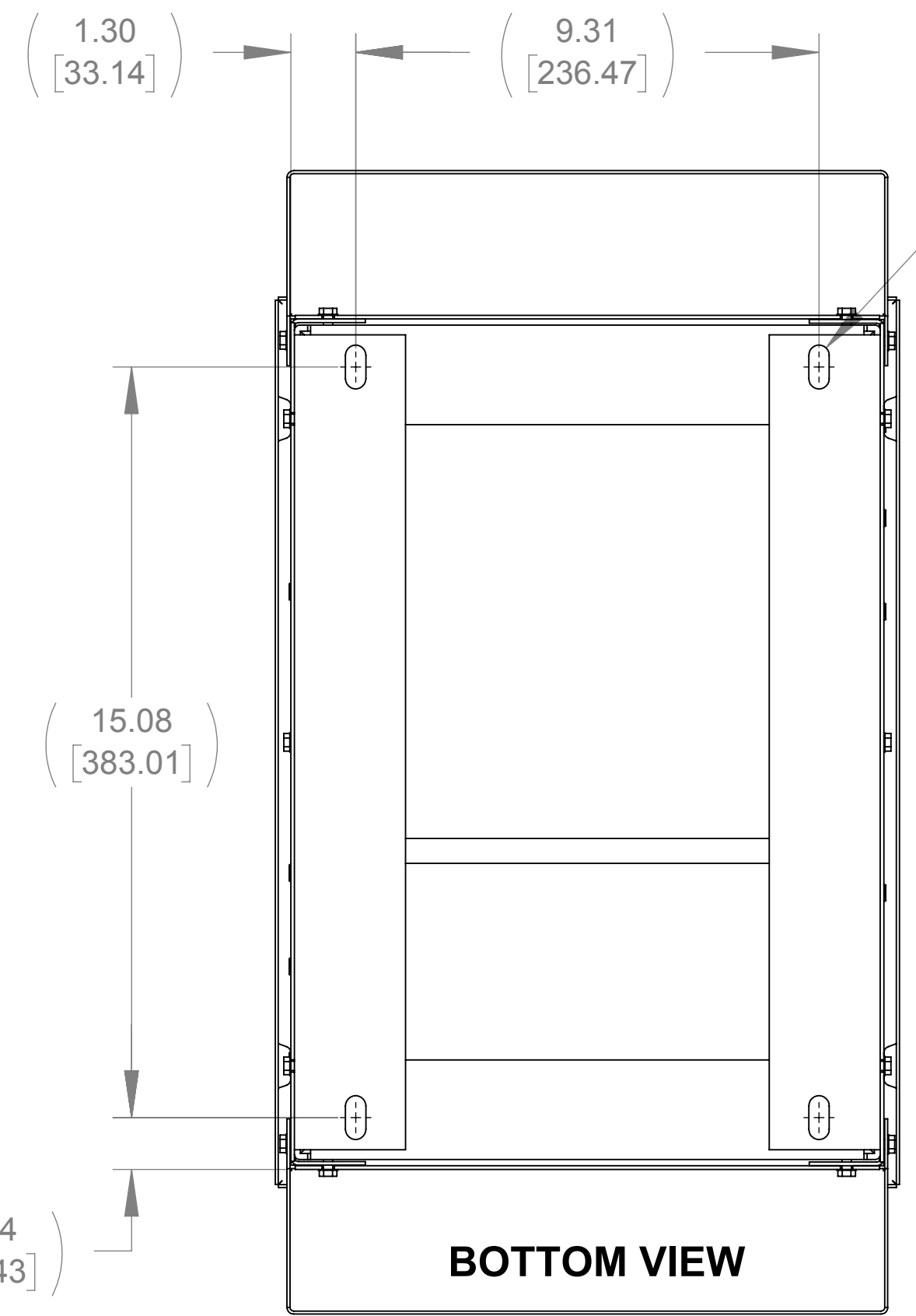
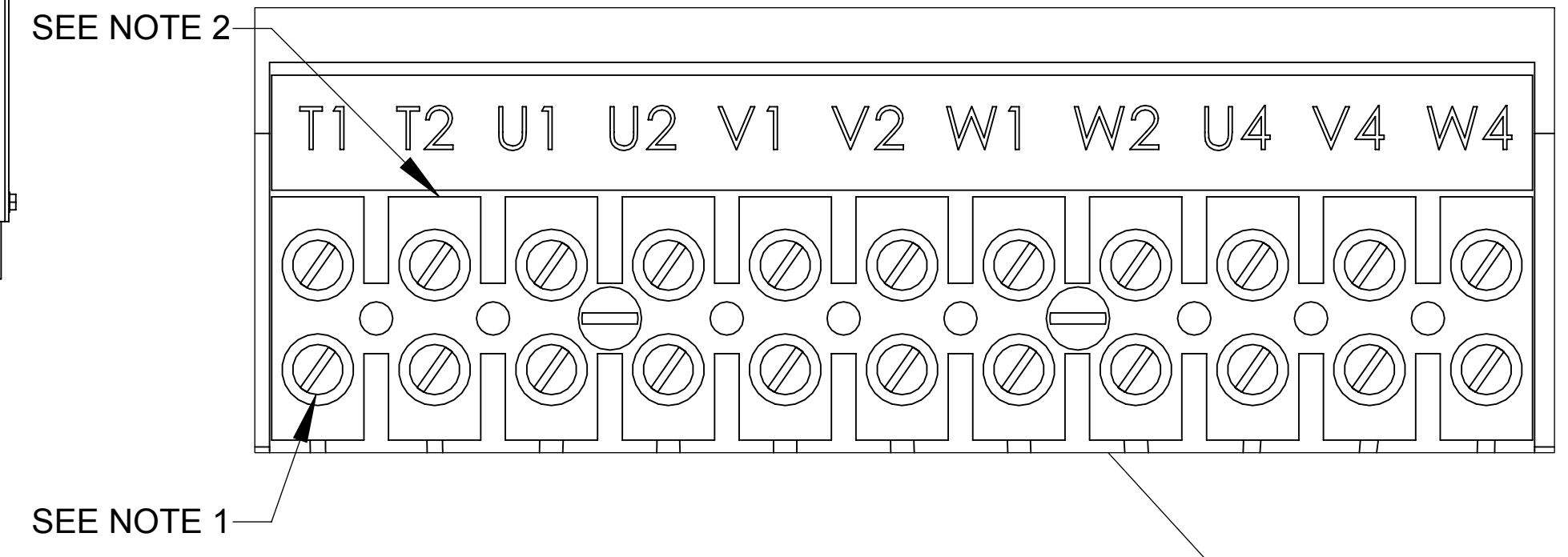
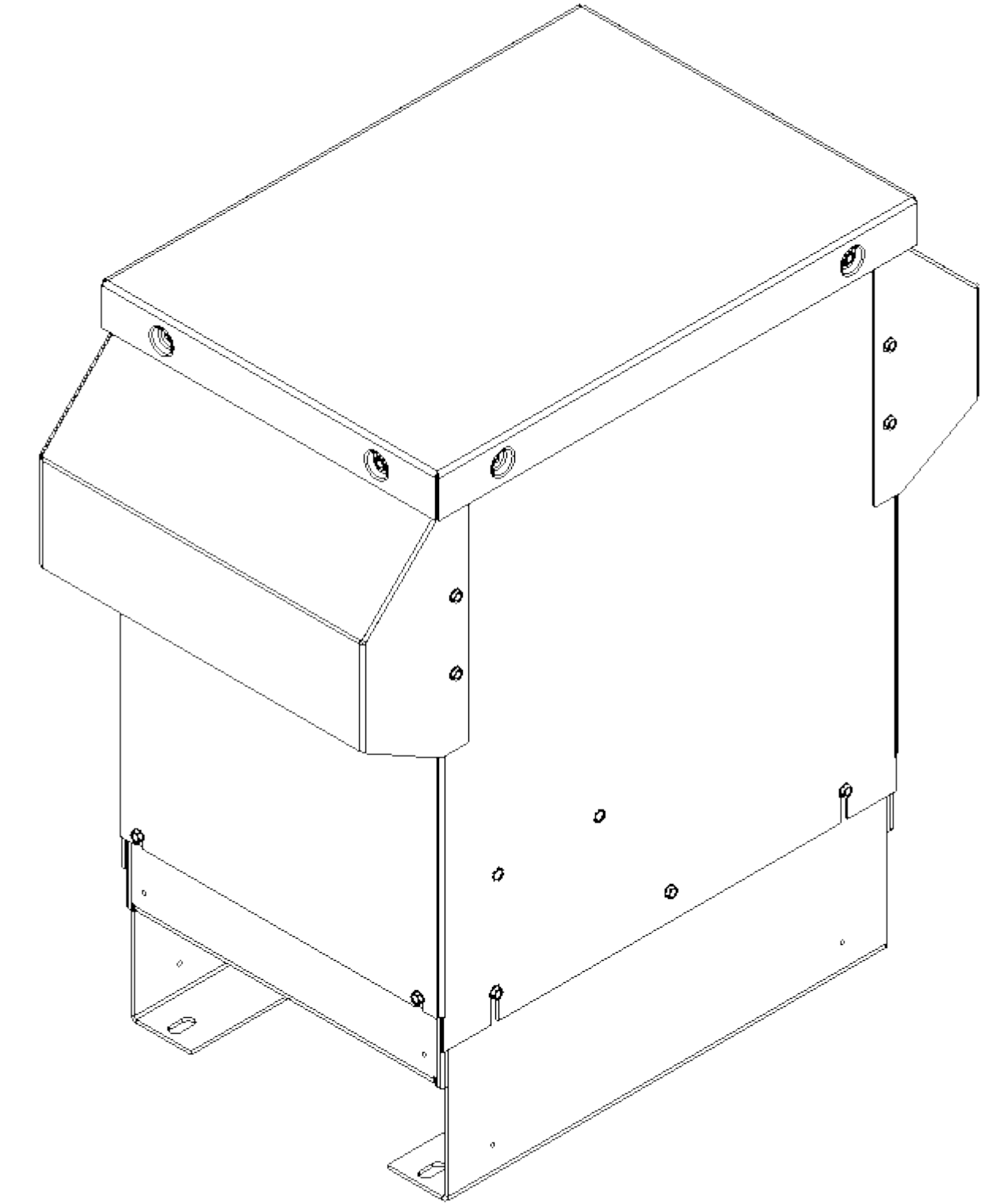
ECO No	DESCRIPTION	REV BY	DATE
M9002	UPDATE TO CURRENT DRAWING STANDARDS	MN	02/19/14



FRONT VIEW (PANELS REMOVED)



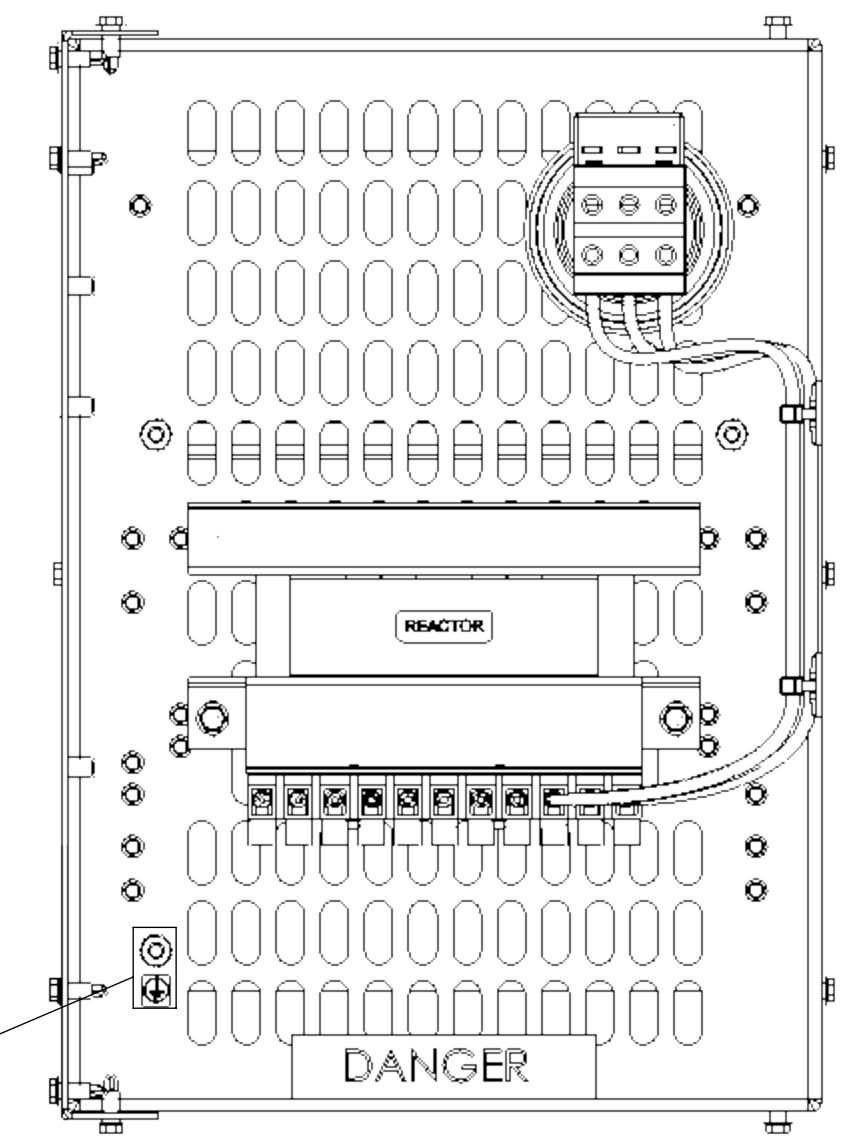
RIGHT SIDE VIEW



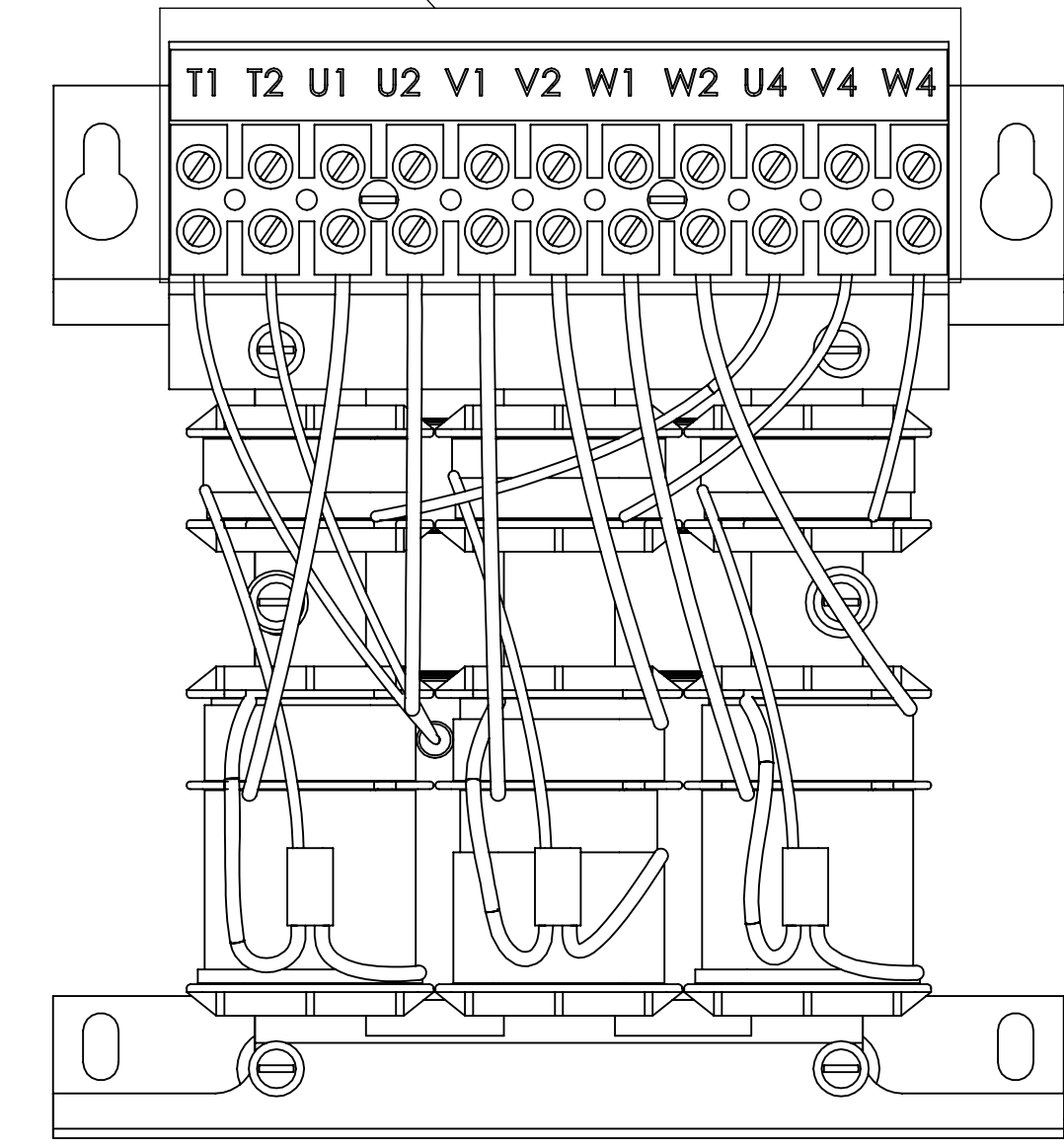
BOTTOM VIEW

Ø .41 [10.41] X .88 [22.23] SLOT, 4 PLACES

1/4-20 GROUND STUD



TOP VIEW (PANELS REMOVED)



CUSTOMER CONNECTION DETAIL VIEW

NOTES:

1. TERMINAL SCREW TIGHTENING TORQUE: 16 IN/LBS, MAX.
2. WIRE RANGE: 4 - 14 AWG.

THE COMPONENT, PART OR ASSEMBLY DESCRIBED IN THIS DOCUMENT MUST COMPLY WITH THE EU (EUROPEAN UNION) DIRECTIVE RoHS CONTAINS <0.1% OF ANY SVHC BY WEIGHT PER REACH REGULATION		MATERIAL DRAWN SU DATE 04/03/13 CHECKED RH DATE 02/20/14 APPROVED RH DATE 02/20/14		CONFIDENTIAL AND PROPRIETARY INFORMATION THIS DOCUMENT CONTAINS CONFIDENTIAL AND PROPRIETARY INFORMATION OF MTE CORPORATION AND MAY NOT BE USED, COPIED OR DISCLOSED TO OTHERS EXCEPT WITH THE AUTHORIZED WRITTEN PERMISSION OF MTE CORPORATION DESCRIPTION MATRIX AP 6A 600V 60HZ FILTER, NEMA 3R ENCLOSURE	
UNLESS OTHERWISE SPECIFIED DIMENSIONS ARE IN INCHES (MM) TOLERANCES ARE: ANGLES: ± 1° 1 PLACE .X: ± .1 [2.5] 2 PLACE .XX: ± .03 [0.76] 3 PLACE .XXX: ± .010 [0.254]		 N83 W13330 Leon Road Menomonee Falls, WI 53051 USA 800.455.4683 262.253.8200		SIZE D DWG No. CD MAPW0006E REV 03 SCALE 1:3 SHEET 1 OF 1	