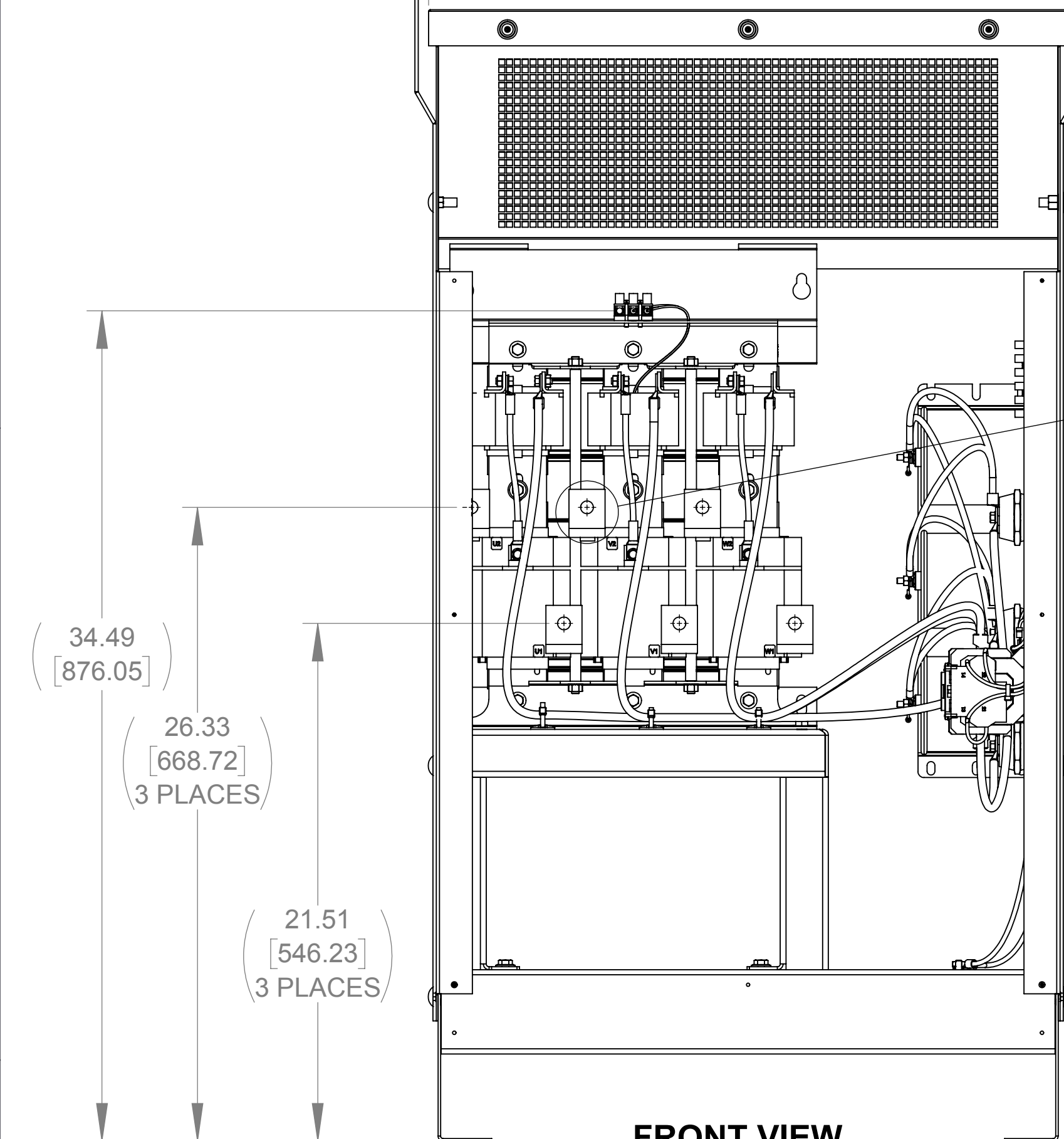
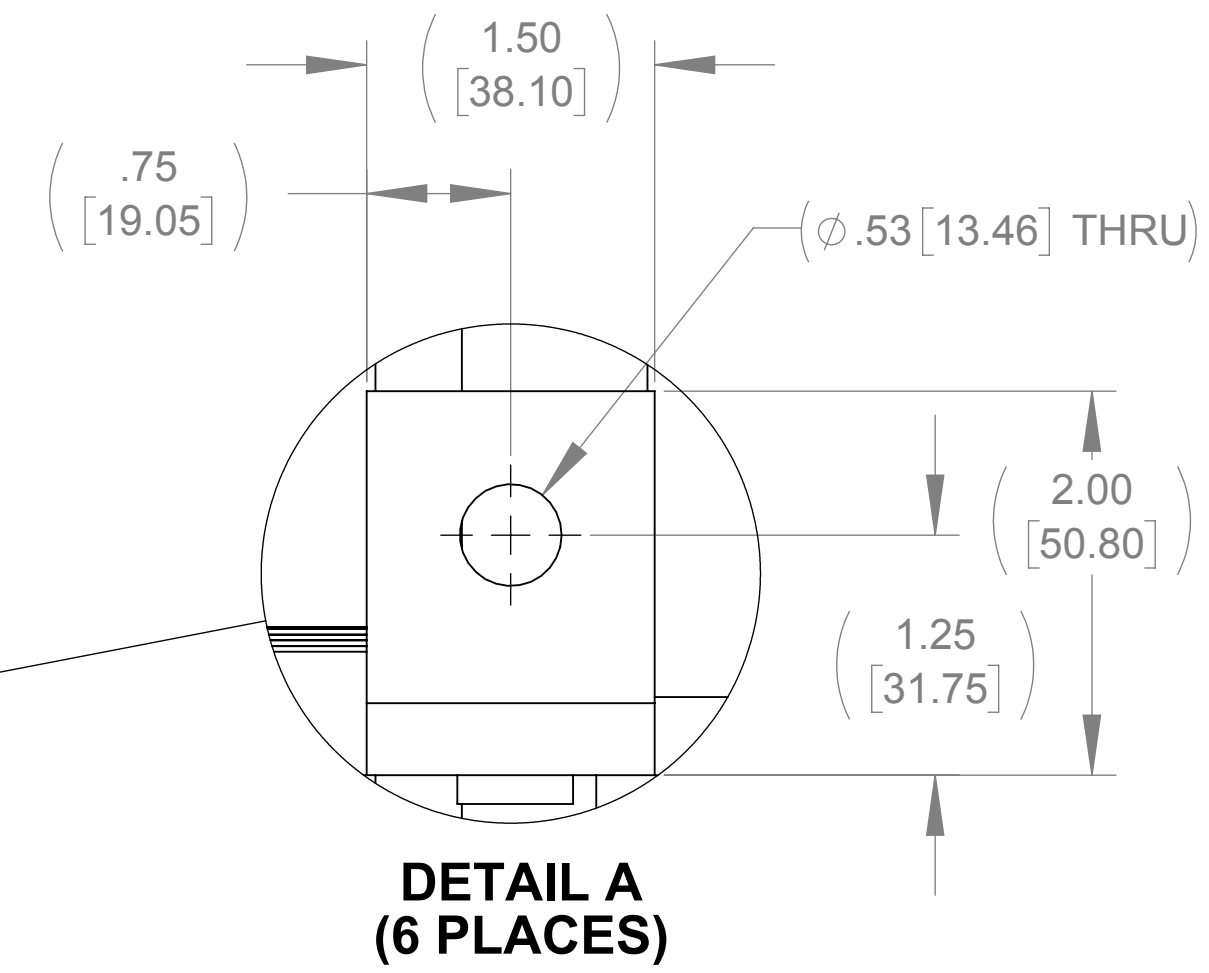


APPROX. WEIGHT (LBS)
464

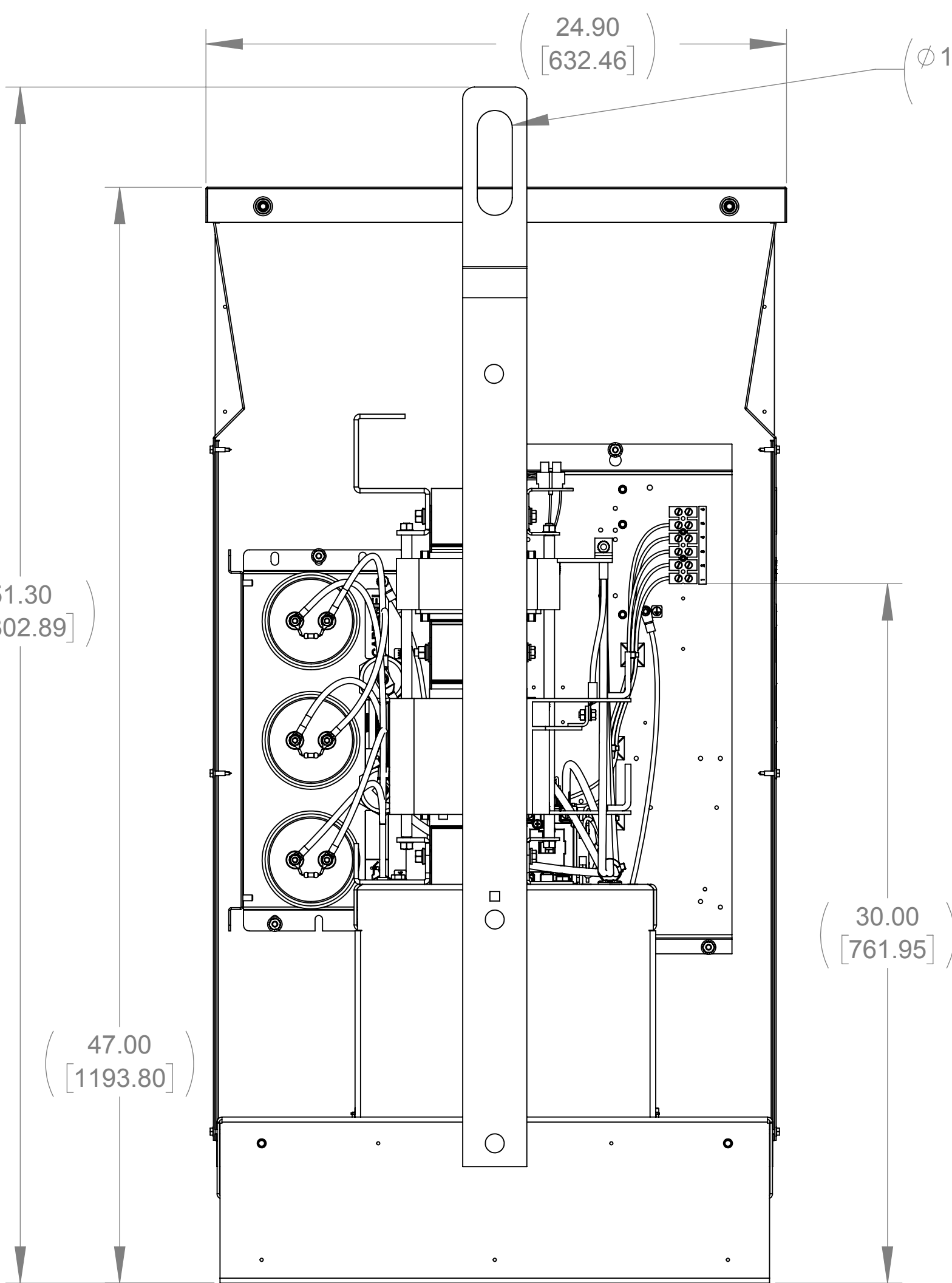
ECO No	DESCRIPTION	REV BY	DATE
M9900	REPLACED CAPPANEL-570 WITH -570C	MN	07/12/16



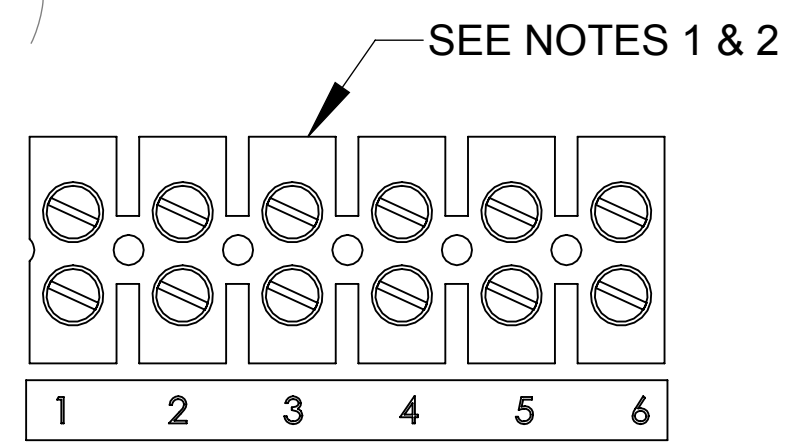
FRONT VIEW (PANELS REMOVED)



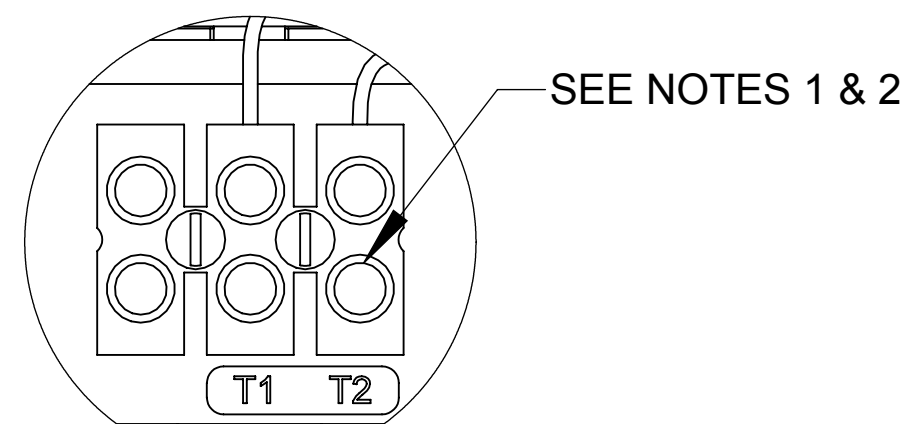
DETAIL A (6 PLACES)



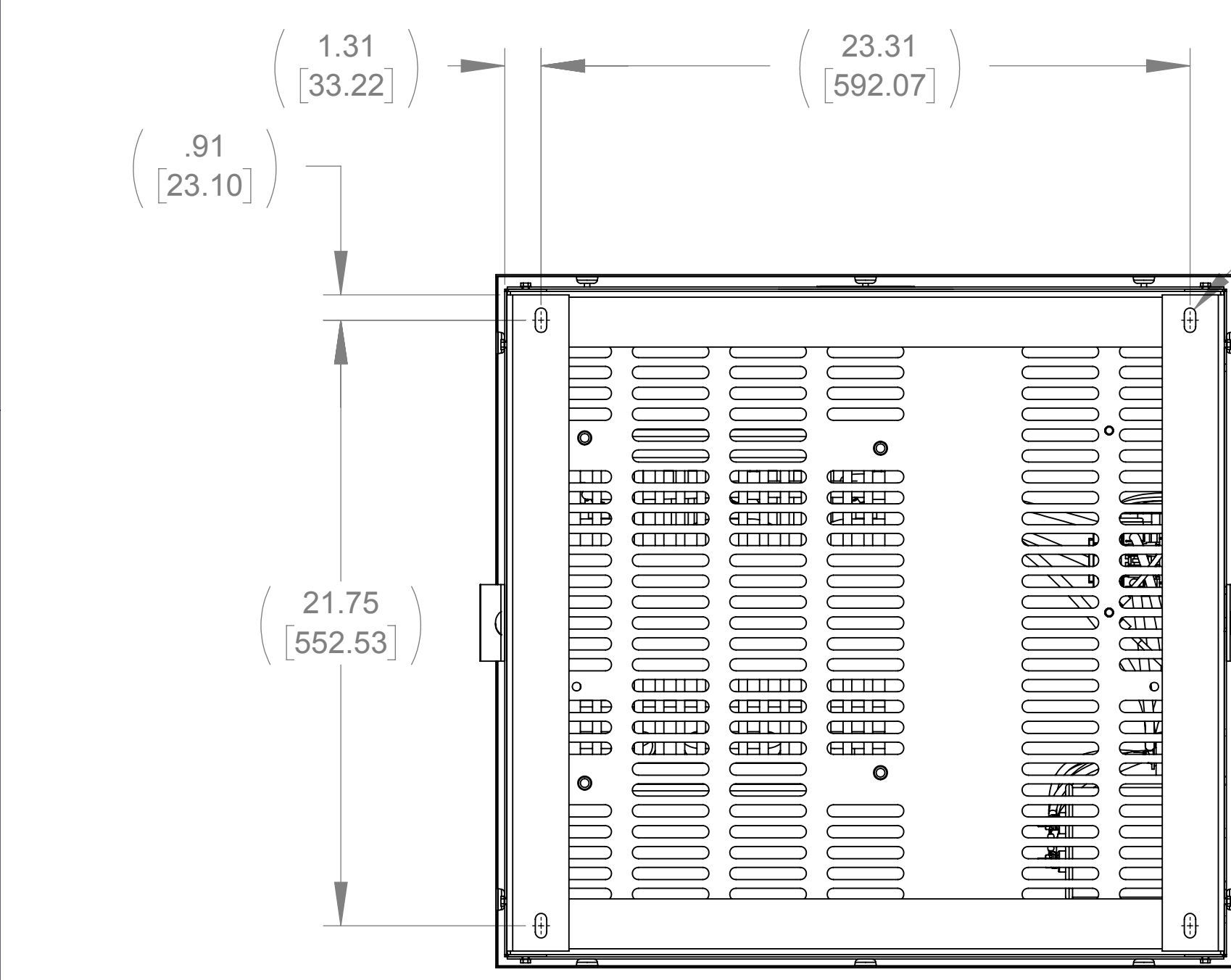
SIDE VIEW (PANELS REMOVED)



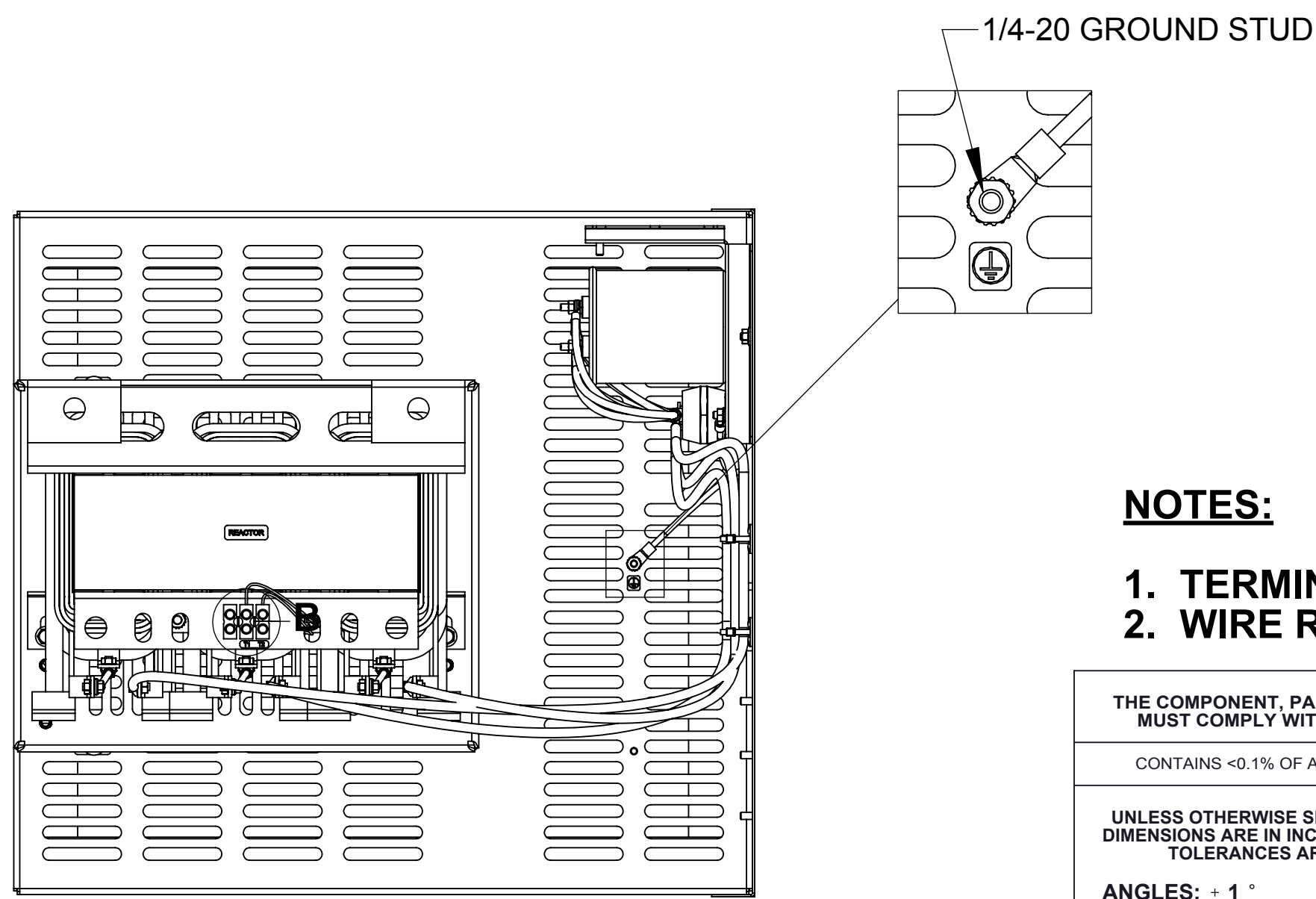
CUSTOMER CONNECTION AT CONTACTOR PANEL (ROTATED 90 DEGREES)



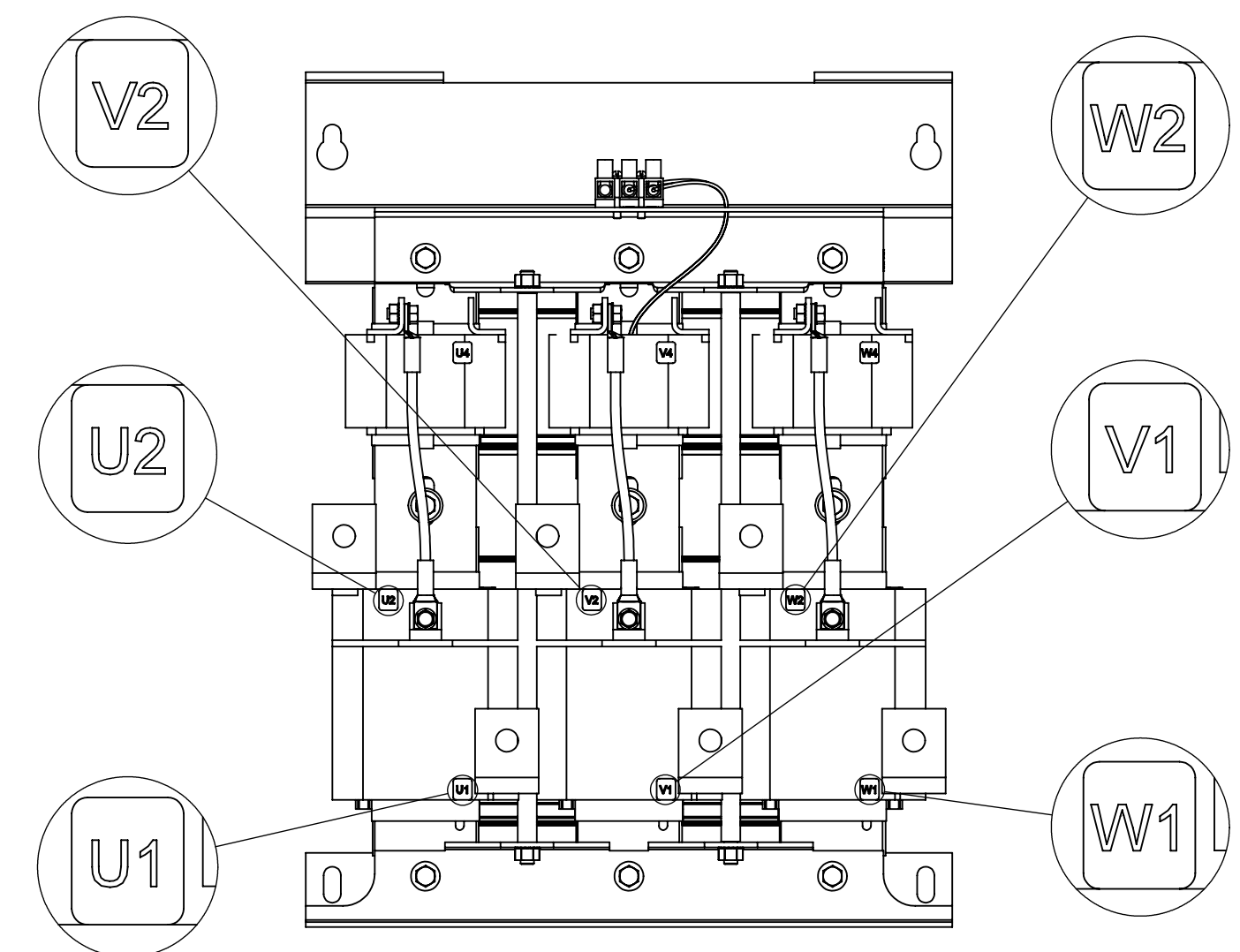
DETAIL B CUSTOMER CONNECTION DETAIL VIEW (THERMAL)



BOTTOM VIEW



TOP VIEW (PANELS REMOVED)



CUSTOMER CONNECTION DETAIL VIEW

NOTES:

1. TERMINAL SCREW TIGHTENING TORQUE: 16 IN/LBS.
2. WIRE RANGE: 4 - 14 AWG.

THE COMPONENT, PART OR ASSEMBLY DESCRIBED IN THIS DOCUMENT MUST COMPLY WITH THE EU (EUROPEAN UNION) DIRECTIVE RoHS2		MATERIAL		CONFIDENTIAL AND PROPRIETARY INFORMATION THIS DOCUMENT CONTAINS CONFIDENTIAL AND PROPRIETARY INFORMATION OF MTE CORPORATION AND MAY NOT BE USED, COPIED OR DISCLOSED TO OTHERS EXCEPT WITH THE AUTHORIZED WRITTEN PERMISSION OF MTE CORPORATION	
CONTAINS <math>< 0.1\%</math> OF ANY SVHC BY WEIGHT PER REACH REGULATION				DESCRIPTION	
UNLESS OTHERWISE SPECIFIED DIMENSIONS ARE IN INCHES (MM) TOLERANCES ARE:		DRAWN MM DATE 01/10/14		MATRIX AP 165A 600V 60HZ FILTER, NEMA 1/2 ENCL CONTACTOR 002 OPTION	
ANGLES: $\pm 1^\circ$		CHECKED JM DATE 08/23/16		SIZE D	
1 PLACE .X: $\pm .1 [2.5]$		APPROVED JM DATE 08/23/16		DWG No. CD MAPG0165E002	
2 PLACE .XX: $\pm .03 [0.76]$				REV 02	
3 PLACE .XXX: $\pm .010 [0.254]$				SCALE 1:5	
				SHEET 1 OF 1	



N83 W13330 Leon Road
Menomonee Falls, WI 53051 USA
800.455.4683
262.253.8200