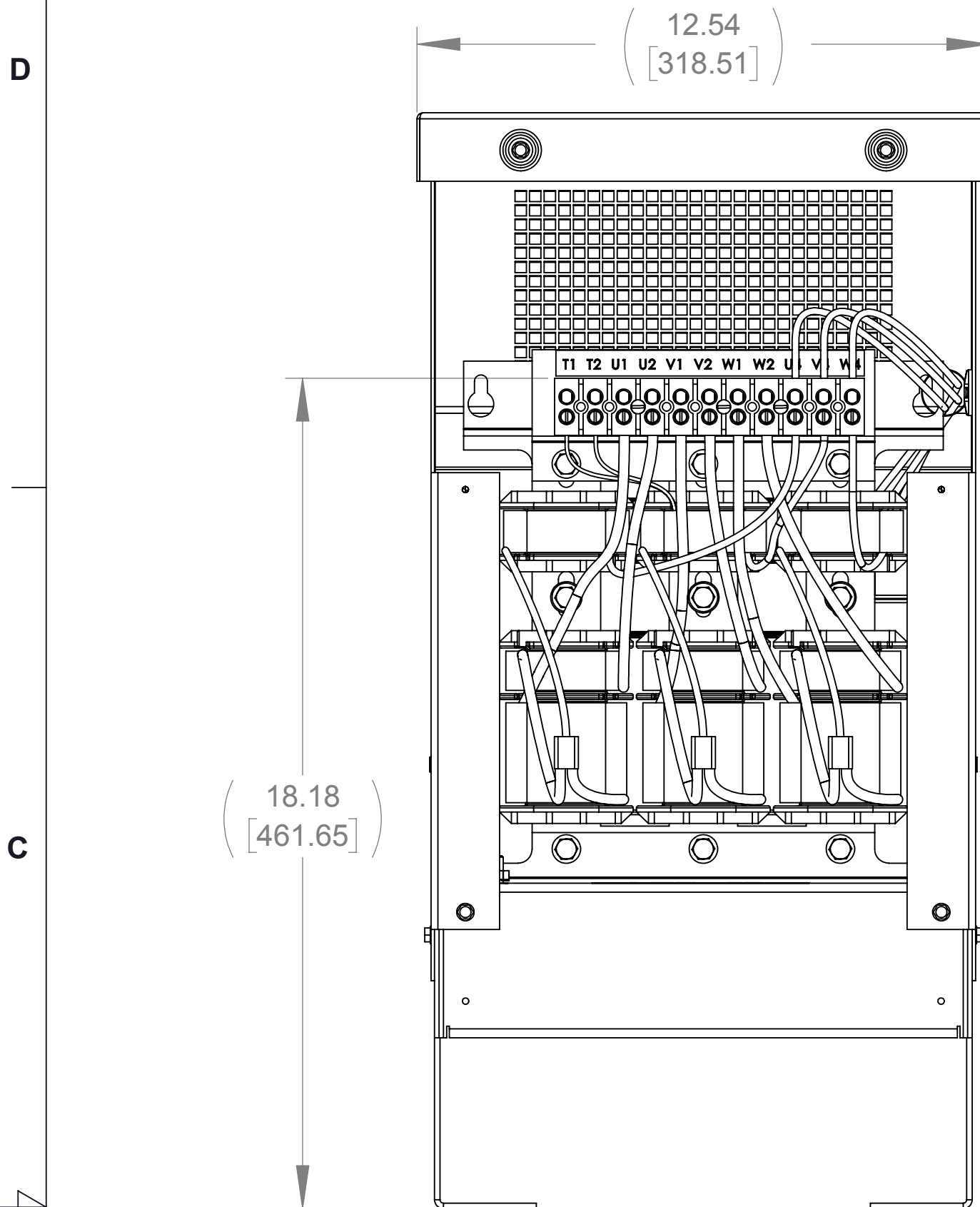
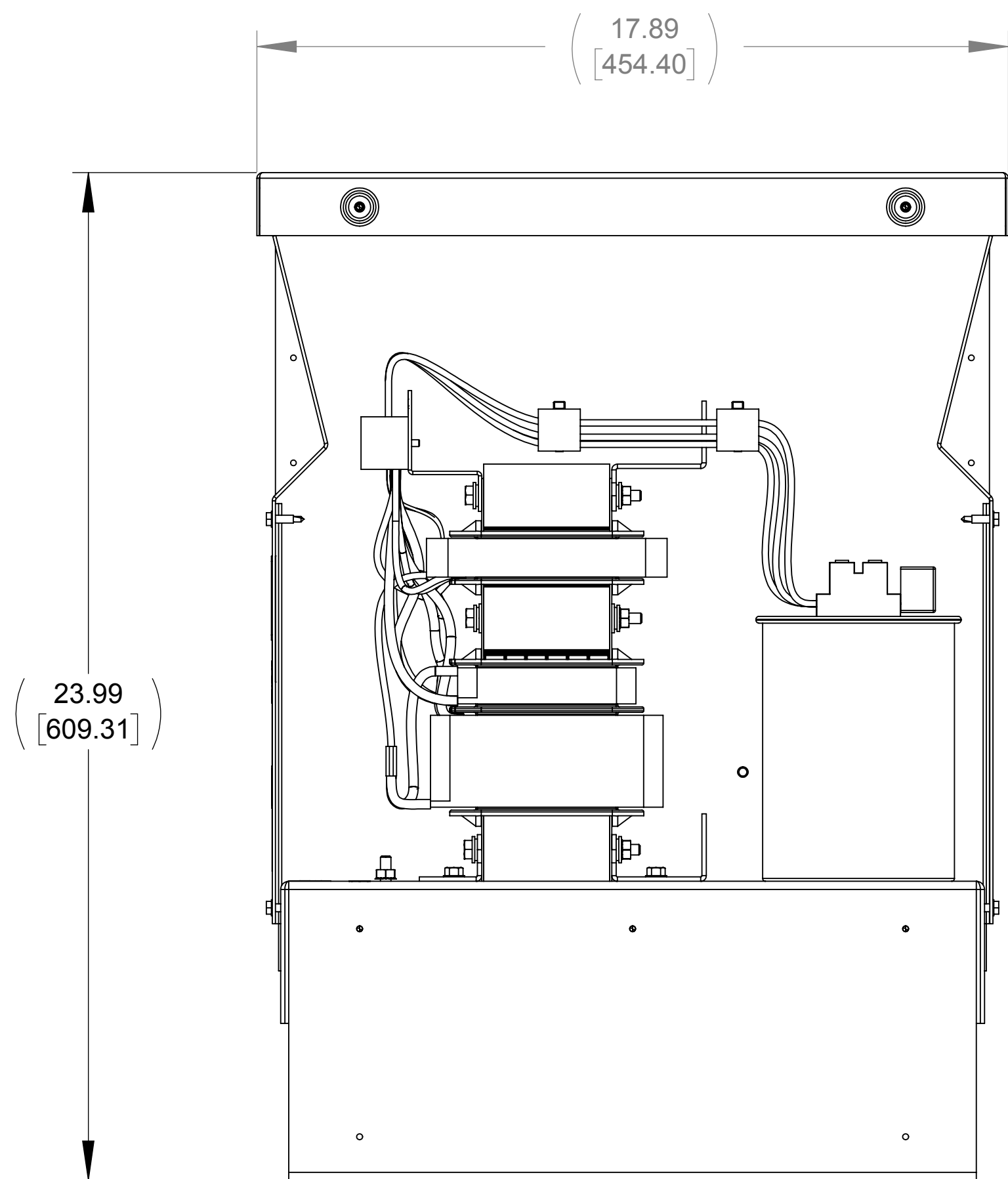


APPROX. WEIGHT (LBS)
128

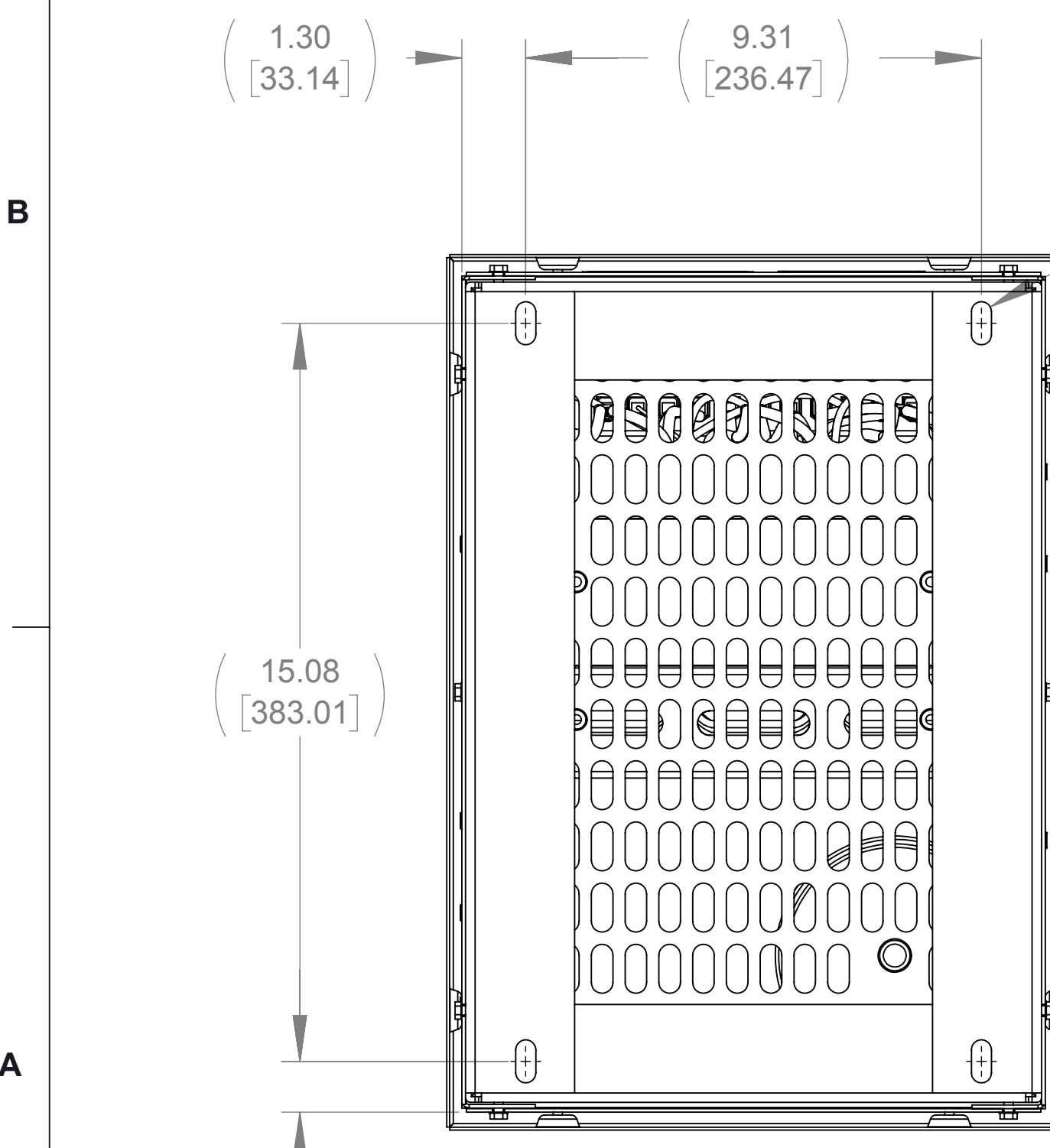
ECO No	DESCRIPTION	REV BY	DATE
M9061	UPDATE TO CURRENT DRAWING STANDARDS	MN	03/27/14



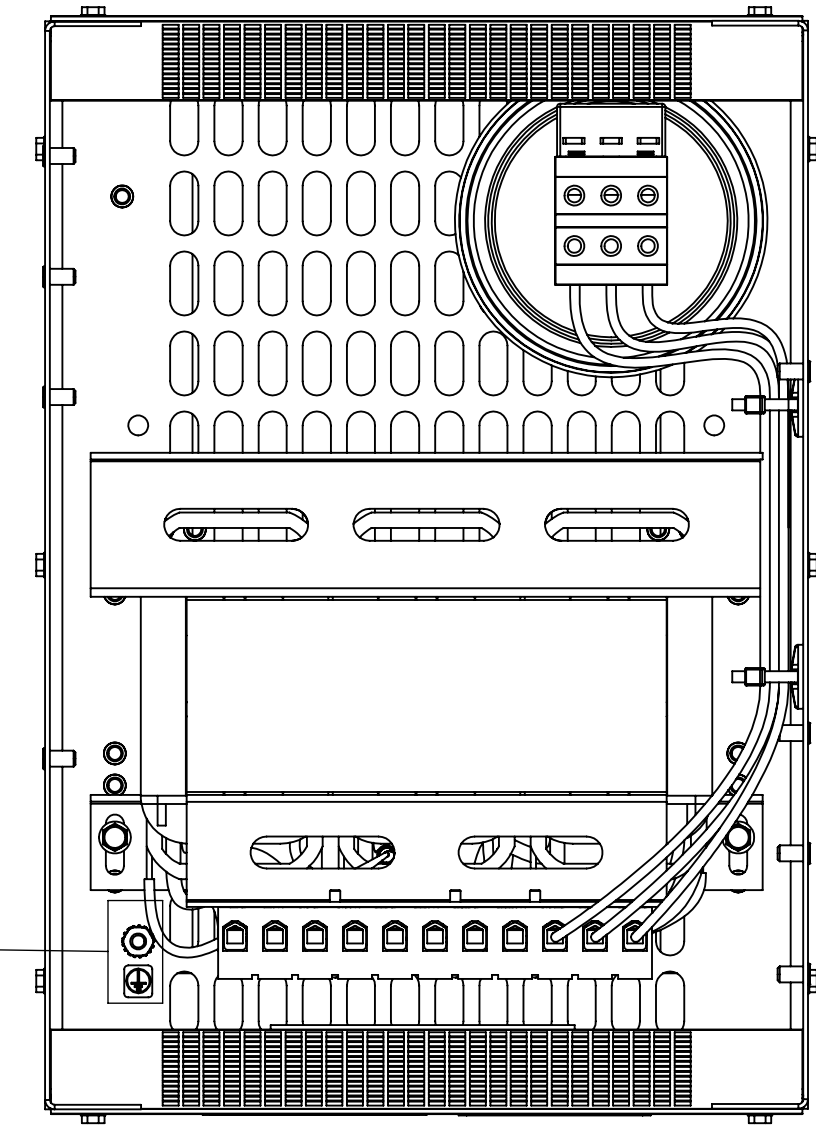
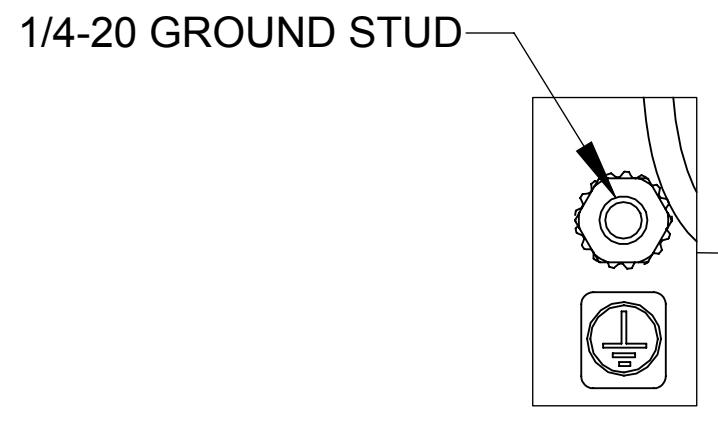
FRONT VIEW (PANELS REMOVED)



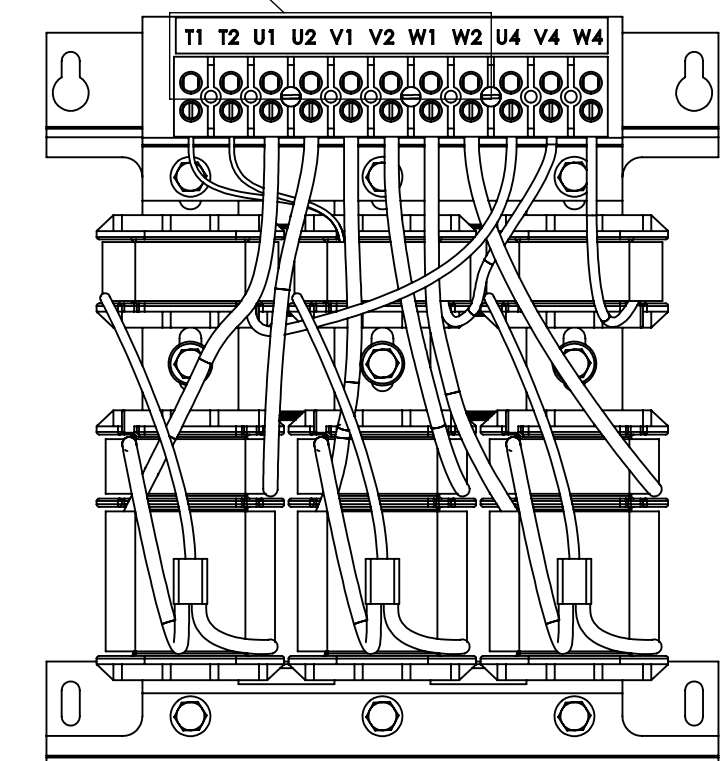
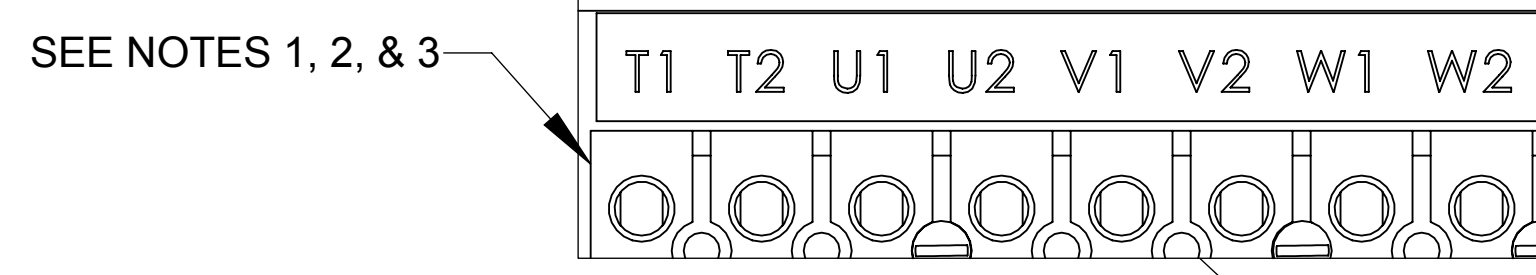
RIGHT SIDE VIEW (PANELS REMOVED)



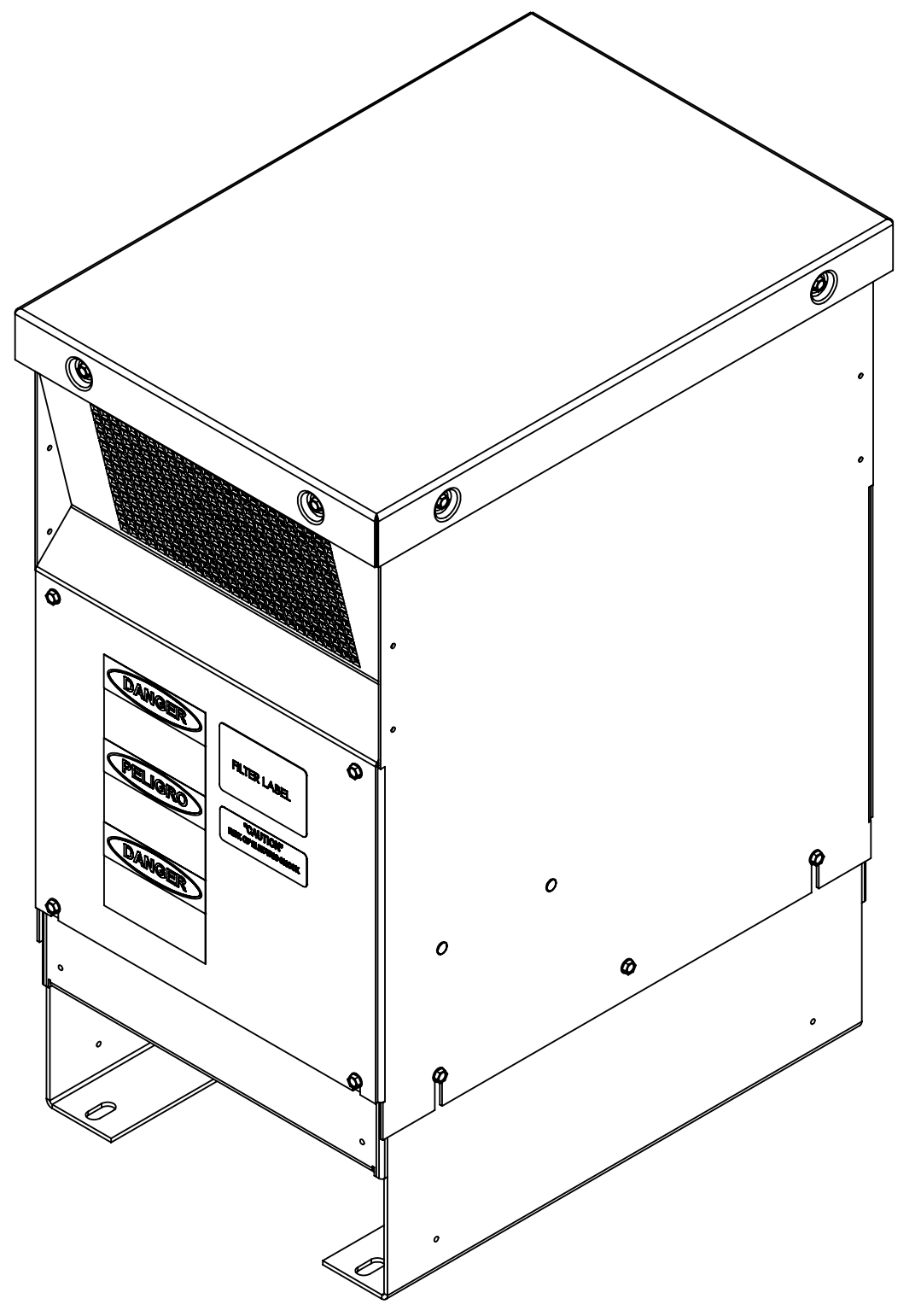
BOTTOM VIEW



TOP VIEW (PANEL REMOVED)



CUSTOMER CONNECTION DETAIL VIEW AT REACTOR



NOTES:

1. TERMINAL SCREW TIGHTENING TORQUE: 16 IN/LBS, MAX.
2. WIRE RANGE: 4-14 AWG.
3. CUSTOMER DOES NOT CONNECT TO U4, V4, & W4 LOCATED ON THE REACTOR TERMINAL BLOCK.

THE COMPONENT, PART OR ASSEMBLY DESCRIBED IN THIS DOCUMENT MUST COMPLY WITH THE EU (EUROPEAN UNION) DIRECTIVE RoHS2 CONTAINS <0.1% OF ANY SVHC BY WEIGHT PER REACH REGULATION		MATERIAL DRAWN: JP DATE: 05/04/12 CHECKED: RH DATE: 03/28/14 APPROVED: RH DATE: 03/28/14		CONFIDENTIAL AND PROPRIETARY INFORMATION THIS DOCUMENT CONTAINS CONFIDENTIAL AND PROPRIETARY INFORMATION OF MTE CORPORATION AND MAY NOT BE USED, COPIED OR DISCLOSED TO OTHERS EXCEPT WITH THE AUTHORIZED WRITTEN PERMISSION OF MTE CORPORATION	
UNLESS OTHERWISE SPECIFIED DIMENSIONS ARE IN INCHES (MM) TOLERANCES ARE: ANGLES: ± 1° 1 PLACE .X: ± .1 [2.5] 2 PLACE .XX: ± .03 [0.76] 3 PLACE .XXX: ± .010 [0.254]		 N83 W13330 Leon Road Menomonie Falls, WI 53051 USA 800.455.4683 262.253.8200		DESCRIPTION MATRIX AP 44A 480V 60HZ FILTER, NEMA 1/2 ENCLOSURE	
				SIZE: D SCALE: 1:3	DWG No.: CD MAPG0044D REV: 02 SHEET 1 OF 1