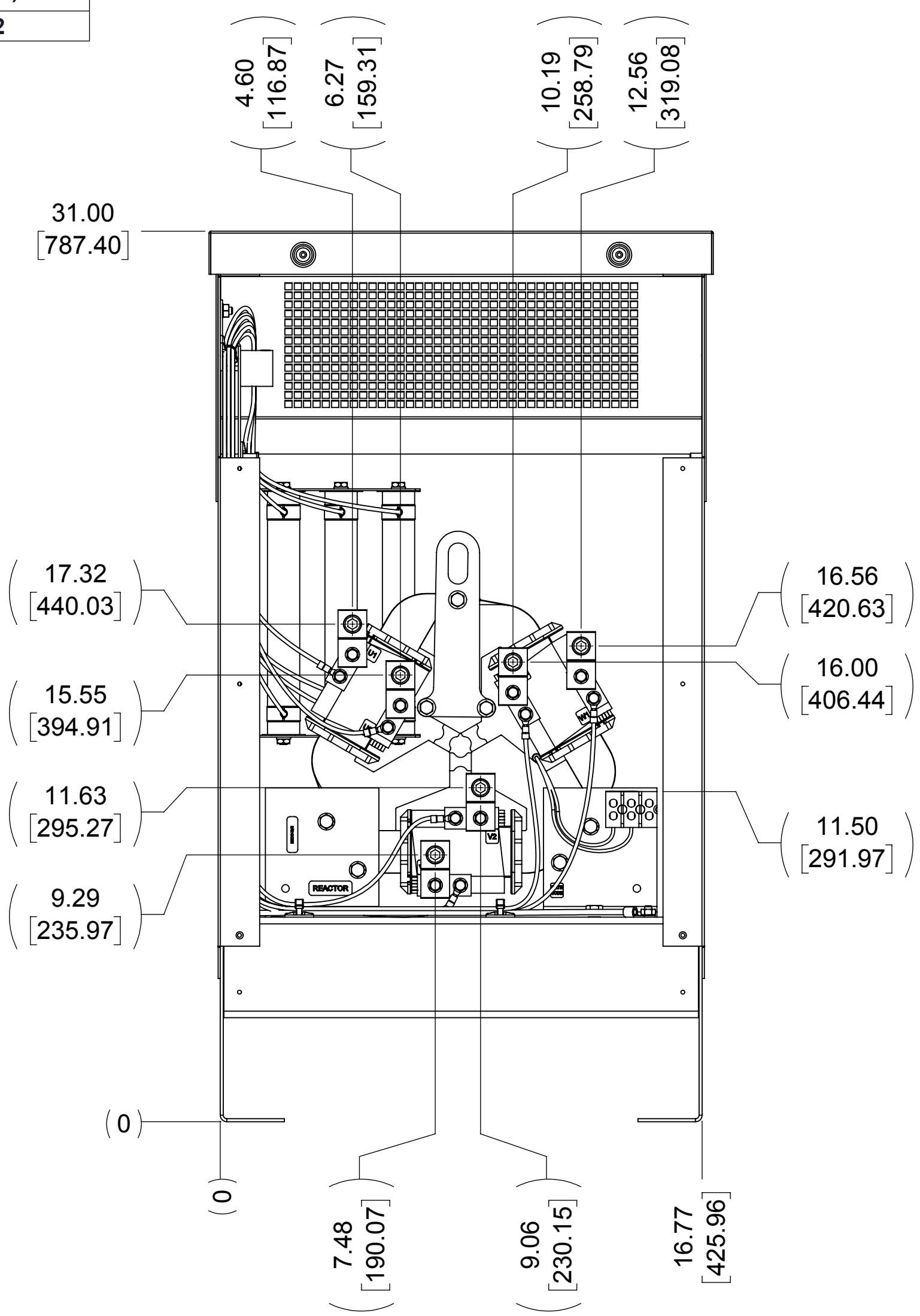
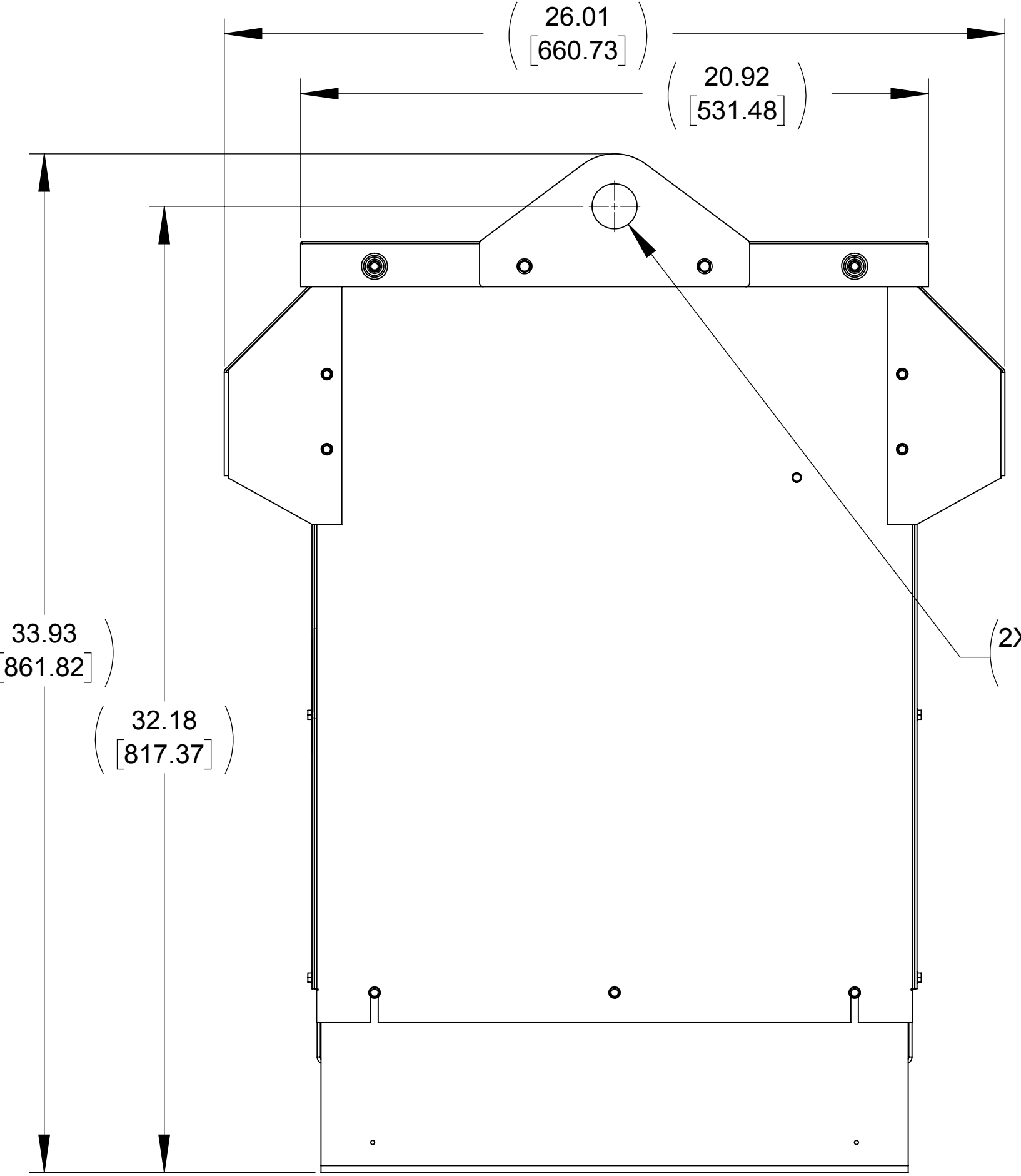


APPROX WEIGHT (LBS.)
142

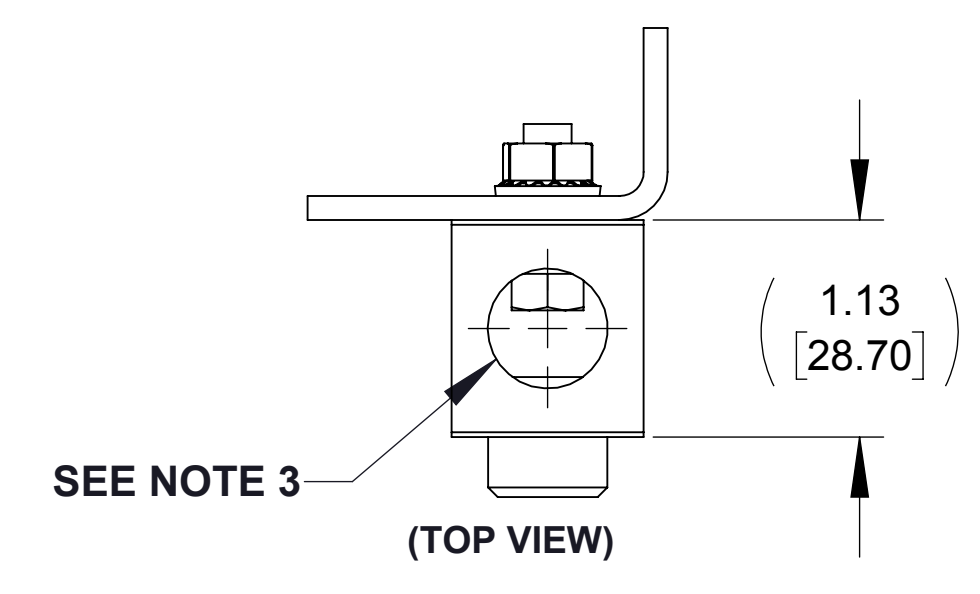
ECO No	DESCRIPTION	REV BY	DATE
M9346	LABEL GRAPHICS UPDATED	JT	10/21/14



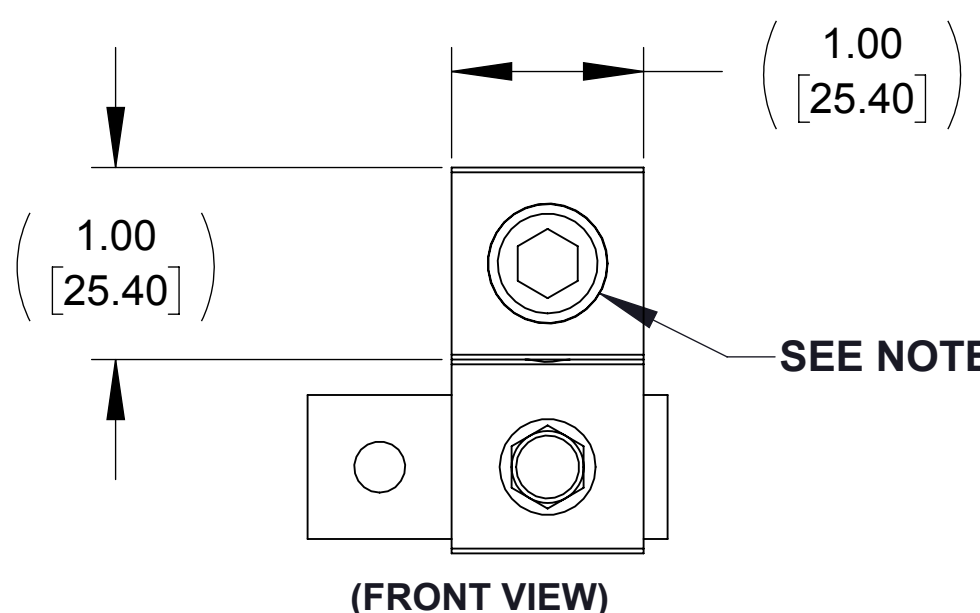
FRONT VIEW (PANEL REMOVED)



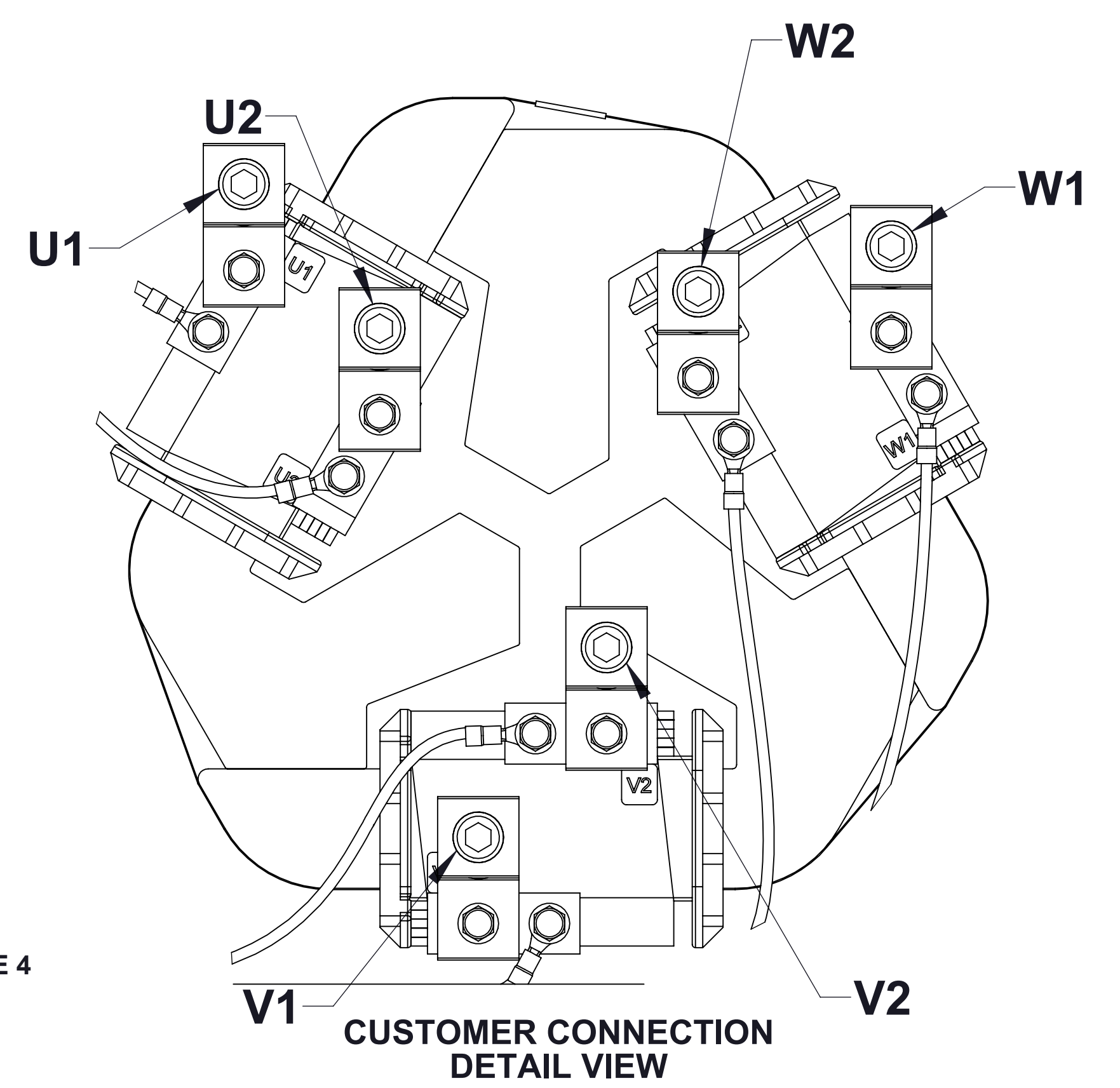
SIDE VIEW



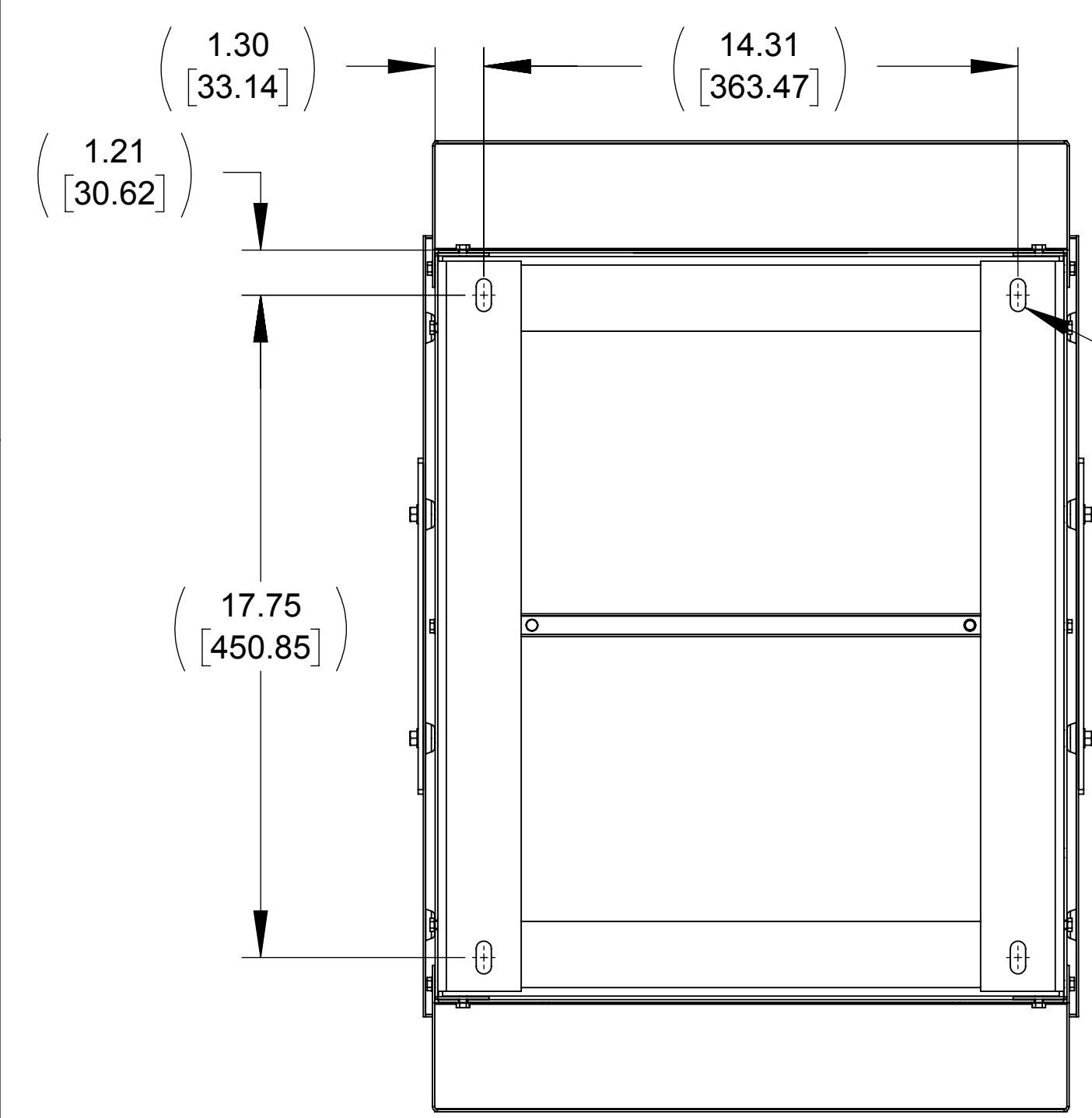
(TOP VIEW)



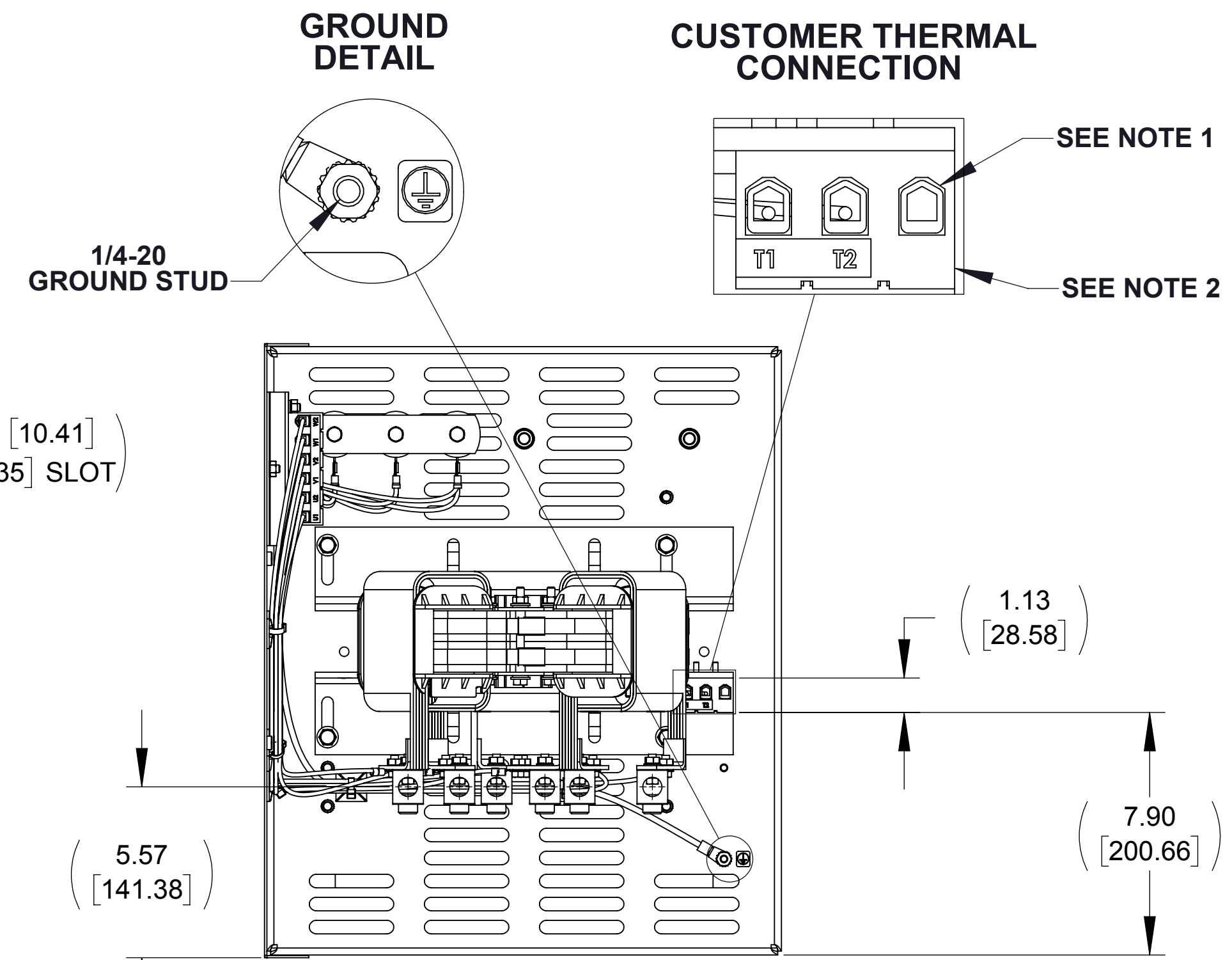
(FRONT VIEW)
FIELD TERMINAL DETAIL (6 PLACES) (U1, U2, V1, V2, W1, W2)



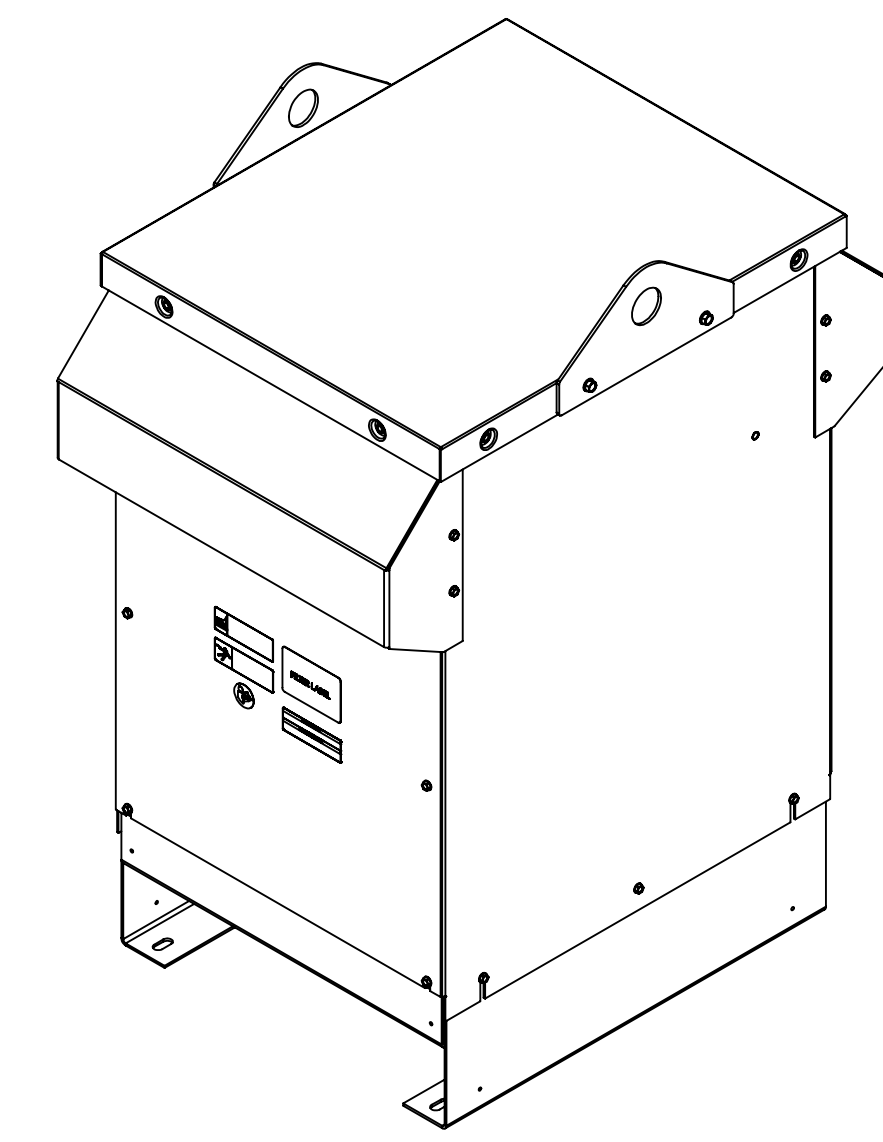
CUSTOMER CONNECTION DETAIL VIEW



BOTTOM VIEW



TOP VIEW (PANELS REMOVED)



NOTES:

1. WIRE RANGE: 4 - 18 AWG
2. TERMINAL SCREW TIGHTENING TORQUE: 16 IN/LBS, MAX.
3. WIRE RANGE: 250 kcmil - 6 AWG
4. TERMINAL SCREW TIGHTENING TORQUE: 275 IN/LBS, MAX.

THE COMPONENT, PART OR ASSEMBLY DESCRIBED IN THIS DOCUMENT MUST COMPLY WITH THE EU (EUROPEAN UNION) DIRECTIVE RoHS2		MATERIAL		CONFIDENTIAL AND PROPRIETARY INFORMATION THIS DOCUMENT CONTAINS CONFIDENTIAL AND PROPRIETARY INFORMATION OF MTE CORPORATION AND MAY NOT BE USED, COPIED OR DISCLOSED TO OTHERS EXCEPT WITH THE AUTHORIZED WRITTEN PERMISSION OF MTE CORPORATION	
CONTAINS <0.1% OF ANY SVHC BY WEIGHT PER REACH REGULATION				DESCRIPTION	
UNLESS OTHERWISE SPECIFIED DIMENSIONS ARE IN INCHES (MM) TOLERANCES ARE: ANGLES: ± 1° 1 PLACE .X: ± .1 [2.5] 2 PLACE .XX: ± .03 [0.76] 3 PLACE .XXX: ± .010 [0.254]		 N83 W13330 Leon Road Menomonee Falls, WI 53051 USA 800.455.4683 262.253.8200		DV SENTRY 130A 380-600V FILTER, NEMA 3R ENCL.	
DRAWN	MM	DATE	07/25/14	SIZE	D
CHECKED	TM	DATE	10/22/14	DWG No.	CD DVSW0130E
APPROVED	TM	DATE	10/22/14	REV	01
				SCALE	1:4
				SHEET 1 OF 1	